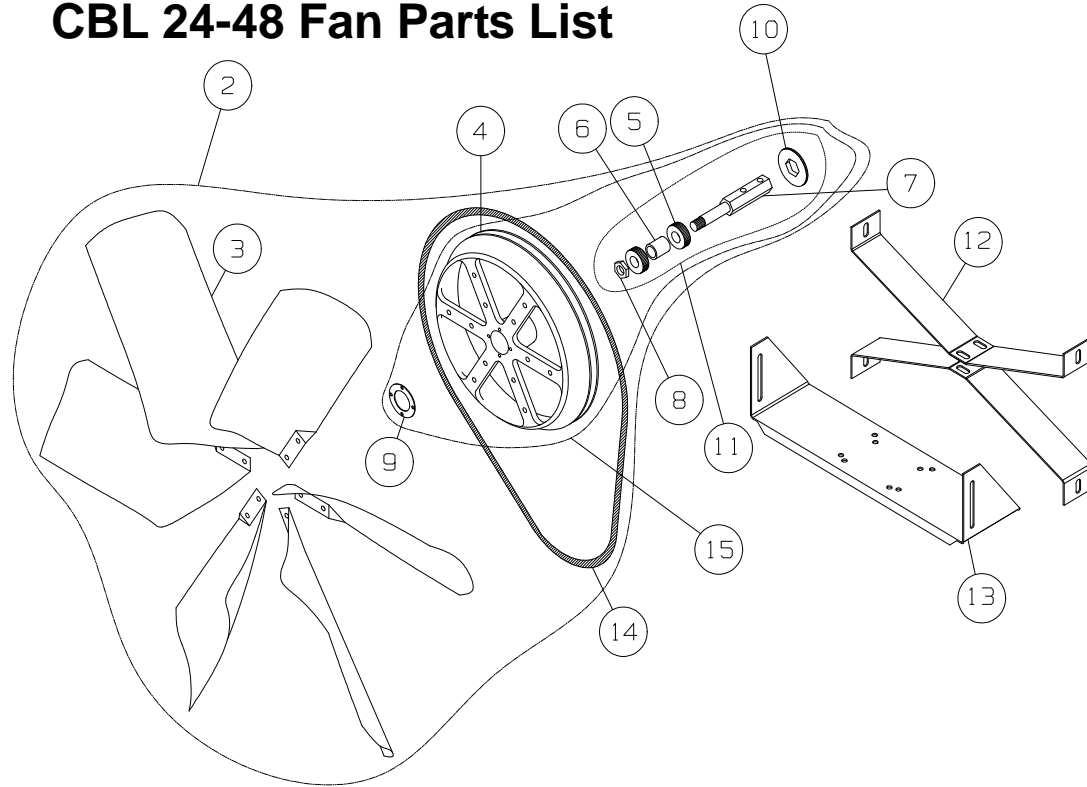
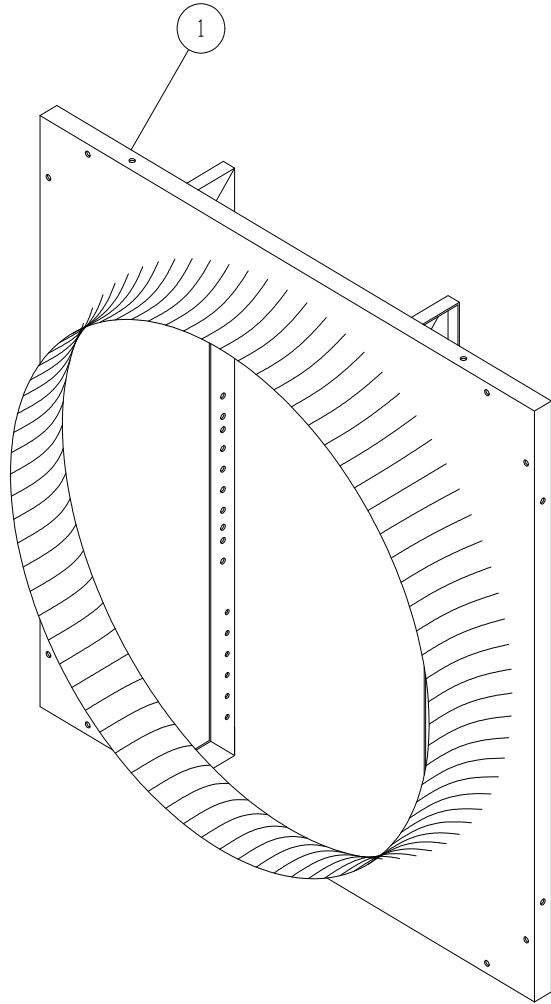




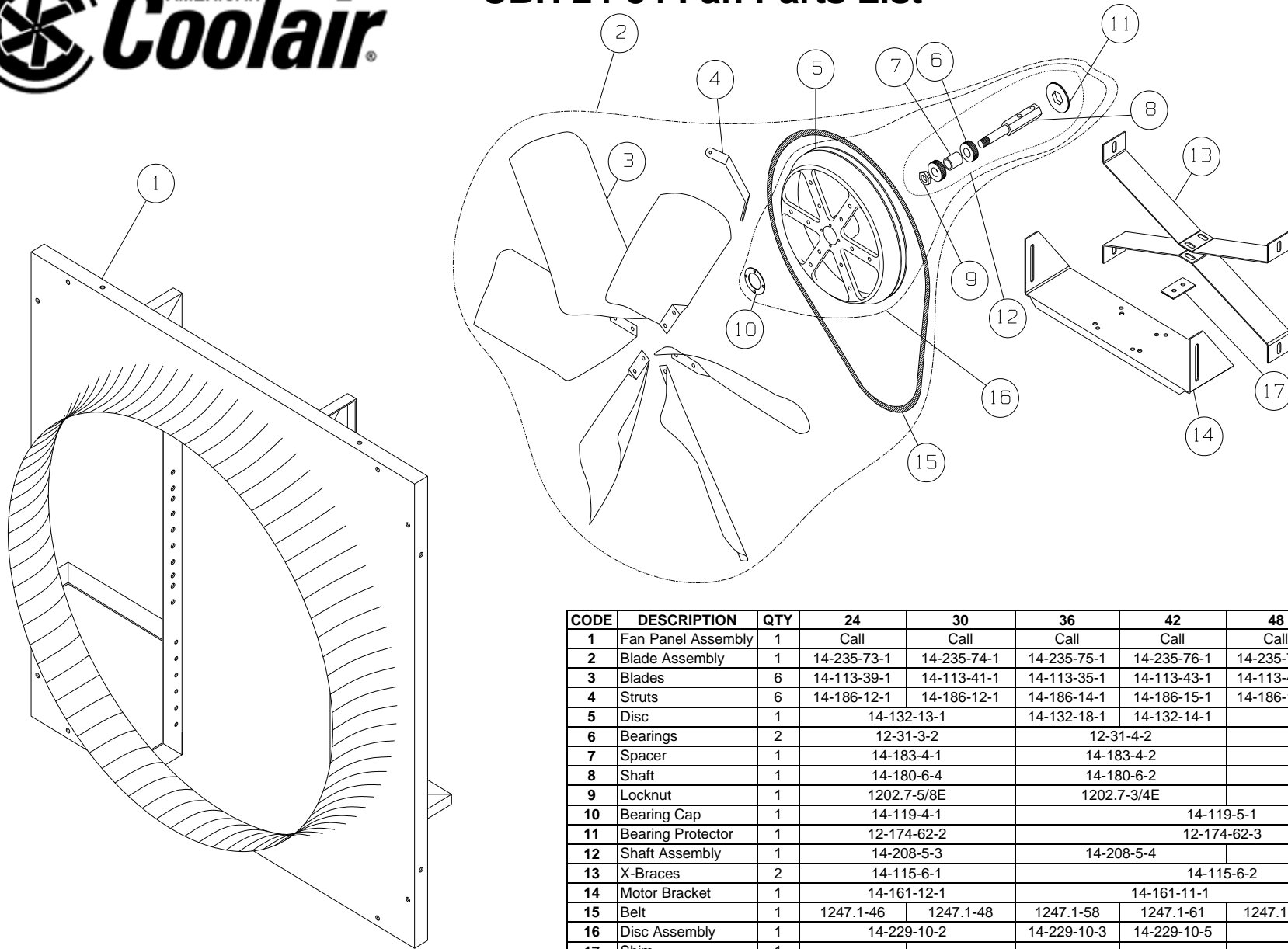
CBL 24-48 Fan Parts List



CODE	DESCRIPTION	QTY	24	30	36	42	48
1	Fan Panel Assembly	1	Call	Call	Call	Call	Call
2	Blade Assembly	1	14-235-68-1	14-235-69-1	14-235-62-1	14-235-71-1	14-235-72-1
3	Blades	6	14-113-38-1	14-113-40-1	14-113-33-1	14-113-42-1	14-113-44-1
4	Disc	1	14-132-13-1		14-132-17-1	1408.13-1	14-132-15-1
5	Bearings	2	12-31-3-2				12-31-5-2
6	Spacer	1	14-183-4-1		14-183-4-5		14-183-4-3
7	Shaft	1	14-180-6-4		14-180-20-1		14-180-6-3
8	Locknut	1	1202.7-5/8E				1202.7-7/8E
9	Bearing Cap	1	14-119-4-1				14-119-5-1
10	Bearing Protector	1	12-174-62-2				12-174-62-3
11	Shaft Assembly	1	14-208-5-3		14-208-5-1		14-208-5-5
12	X-Braces	2	14-115-6-1		14-115-6-2		
13	Motor Bracket	1	14-161-15-1		14-161-15-3		
14	Belt	1	1247.1-44	1247.1-48	1247.1-58	1247.1-61	1247.1-71
15	Disc Assembly	1	14-229-10-2		14-229-10-4	14-229-10-6	14-229-10-7



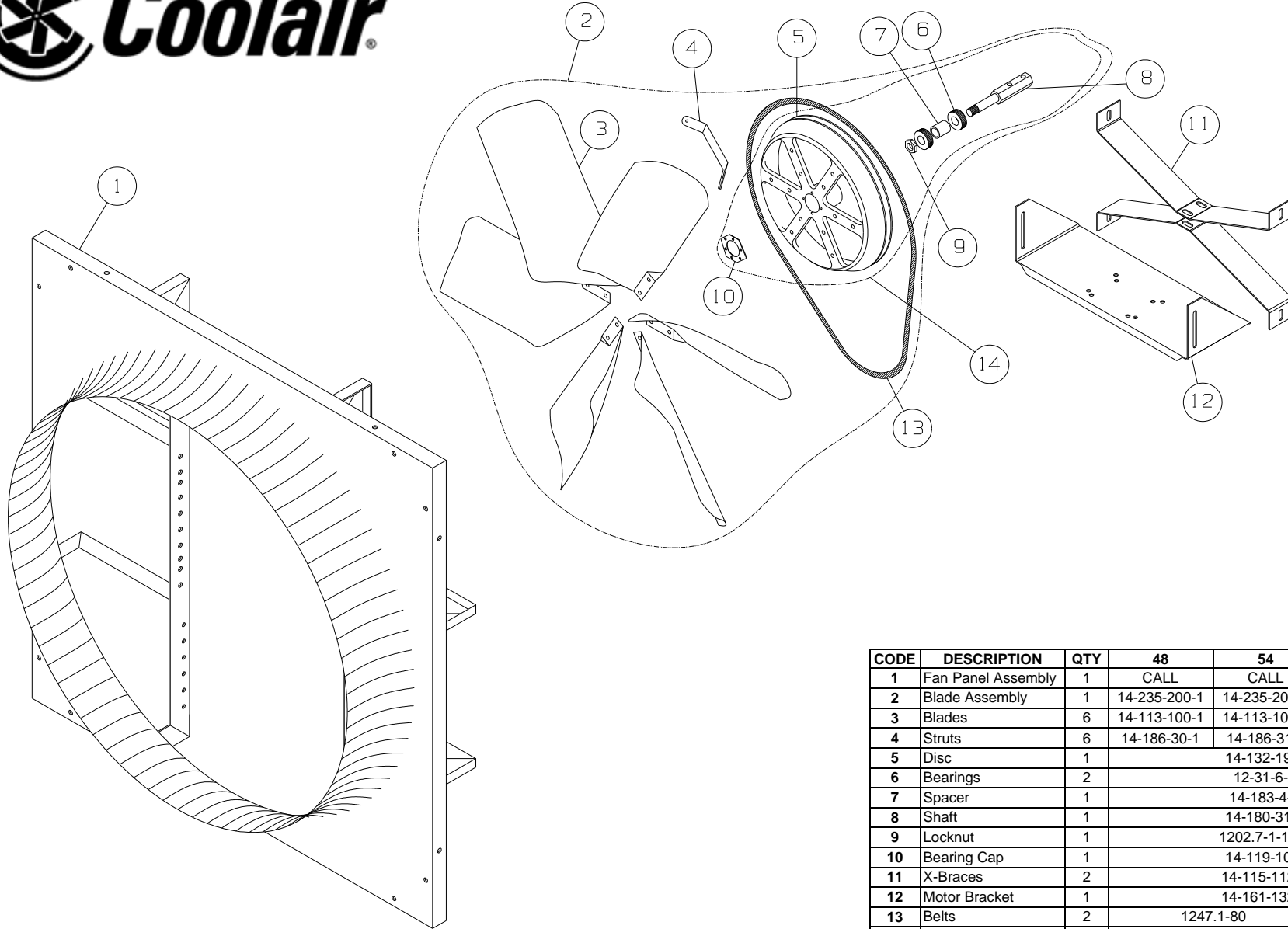
CBH 24-54 Fan Parts List



CODE	DESCRIPTION	QTY	24	30	36	42	48	54
1	Fan Panel Assembly	1	Call	Call	Call	Call	Call	Call
2	Blade Assembly	1	14-235-73-1	14-235-74-1	14-235-75-1	14-235-76-1	14-235-77-1	14-235-97-1
3	Blades	6	14-113-39-1	14-113-41-1	14-113-35-1	14-113-43-1	14-113-45-1	14-113-61-1
4	Struts	6	14-186-12-1	14-186-12-1	14-186-14-1	14-186-15-1	14-186-16-1	14-186-23-1
5	Disc	1	14-132-13-1		14-132-18-1	14-132-14-1	14-132-15-1	
6	Bearings	2	12-31-3-2		12-31-4-2		12-31-5-2	
7	Spacer	1	14-183-4-1		14-183-4-2		14-183-4-3	
8	Shaft	1	14-180-6-4		14-180-6-2		14-180-6-3	
9	Locknut	1	1202.7-5/8E		1202.7-3/4E		1202.7-7/8E	
10	Bearing Cap	1	14-119-4-1		14-119-5-1			
11	Bearing Protector	1	12-174-62-2		12-174-62-3			
12	Shaft Assembly	1	14-208-5-3		14-208-5-4		14-208-5-5	
13	X-Braces	2	14-115-6-1		14-115-6-2			
14	Motor Bracket	1	14-161-12-1		14-161-11-1			14-161-168-1
15	Belt	1	1247.1-46	1247.1-48	1247.1-58	1247.1-61	1247.1-71	1247.1-75
16	Disc Assembly	1	14-229-10-2		14-229-10-3	14-229-10-5	14-229-10-7	
17	Shim	1	—	—	—	—	—	14-160-103-1



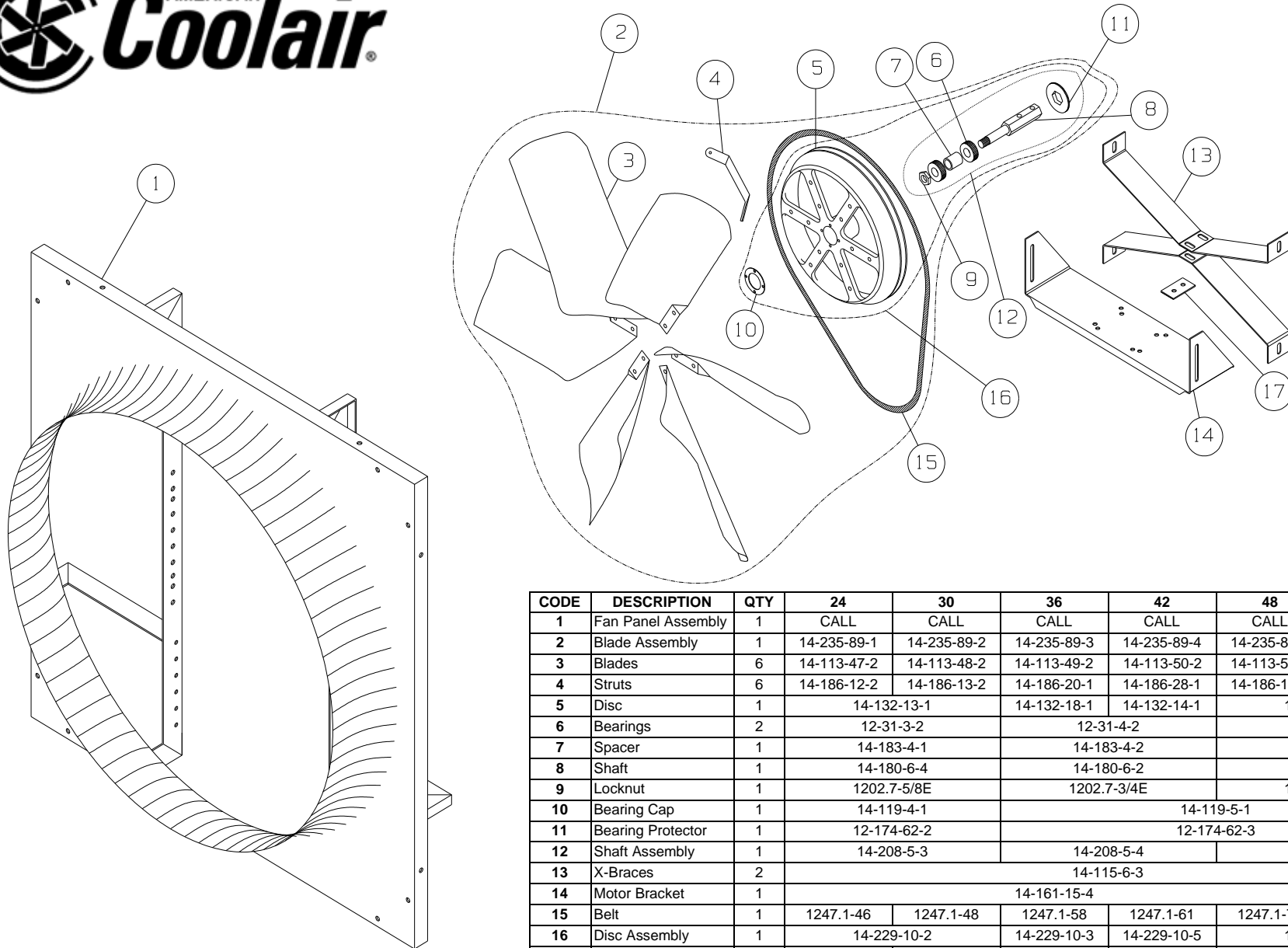
CBHX 48-60 Fan Parts List



CODE	DESCRIPTION	QTY	48	54	60
1	Fan Panel Assembly	1	CALL	CALL	CALL
2	Blade Assembly	1	14-235-200-1	14-235-200-2	14-235-200-3
3	Blades	6	14-113-100-1	14-113-101-1	14-113-102-1
4	Struts	6	14-186-30-1	14-186-31-1	14-186-32-1
5	Disc	1	14-132-19-1		
6	Bearings	2	12-31-6-2		
7	Spacer	1	14-183-4-7		
8	Shaft	1	14-180-31-1		
9	Locknut	1	1202.7-1-1/8E		
10	Bearing Cap	1	14-119-10-1		
11	X-Braces	2	14-115-112-1		
12	Motor Bracket	1	14-161-132-1		
13	Belts	2	1247.1-80	1247.1-86	
14	Disc Assembly	1	14-229-12-1		



C-AL/Aluminum CBL 24-54 Fan Parts List



CODE	DESCRIPTION	QTY	24	30	36	42	48	54	
1	Fan Panel Assembly	1	CALL	CALL	CALL	CALL	CALL	CALL	
2	Blade Assembly	1	14-235-89-1	14-235-89-2	14-235-89-3	14-235-89-4	14-235-89-5	14-235-89-8	
3	Blades	6	14-113-47-2	14-113-48-2	14-113-49-2	14-113-50-2	14-113-51-2	14-113-91-1	
4	Struts	6	14-186-12-2	14-186-13-2	14-186-20-1	14-186-28-1	14-186-16-1	14-186-18-1	
5	Disc	1	14-132-13-1		14-132-18-1	14-132-14-1	14-132-15-1		
6	Bearings	2	12-31-3-2		12-31-4-2		12-31-5-2		
7	Spacer	1	14-183-4-1		14-183-4-2		14-183-4-3		
8	Shaft	1	14-180-6-4		14-180-6-2		14-180-6-3		
9	Locknut	1	1202.7-5/8E		1202.7-3/4E		1202.7-7/8E		
10	Bearing Cap	1	14-119-4-1		14-119-5-1				
11	Bearing Protector	1	12-174-62-2		12-174-62-3				
12	Shaft Assembly	1	14-208-5-3		14-208-5-4		14-208-5-5		
13	X-Braces	2	14-115-6-3						
14	Motor Bracket	1	14-161-15-4						14-161-168-2
15	Belt	1	1247.1-46	1247.1-48	1247.1-58	1247.1-61	1247.1-71	1247.1-75	
16	Disc Assembly	1	14-229-10-2		14-229-10-3	14-229-10-5	14-229-10-7		
17	Shim	1	_____	_____	_____	_____	_____	14-160-103-1	