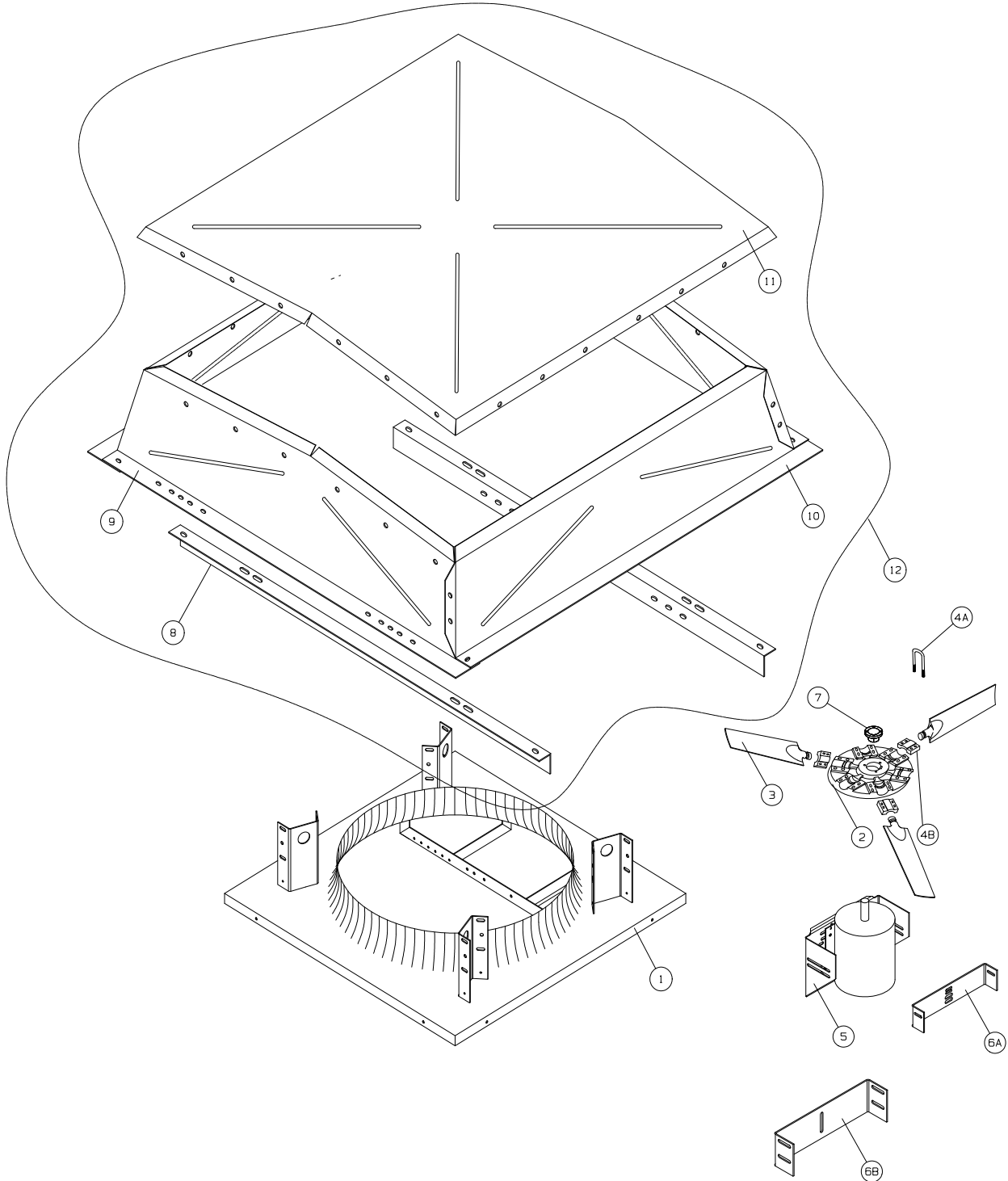




PDC 24-36 Power Roof Ventilators Parts List





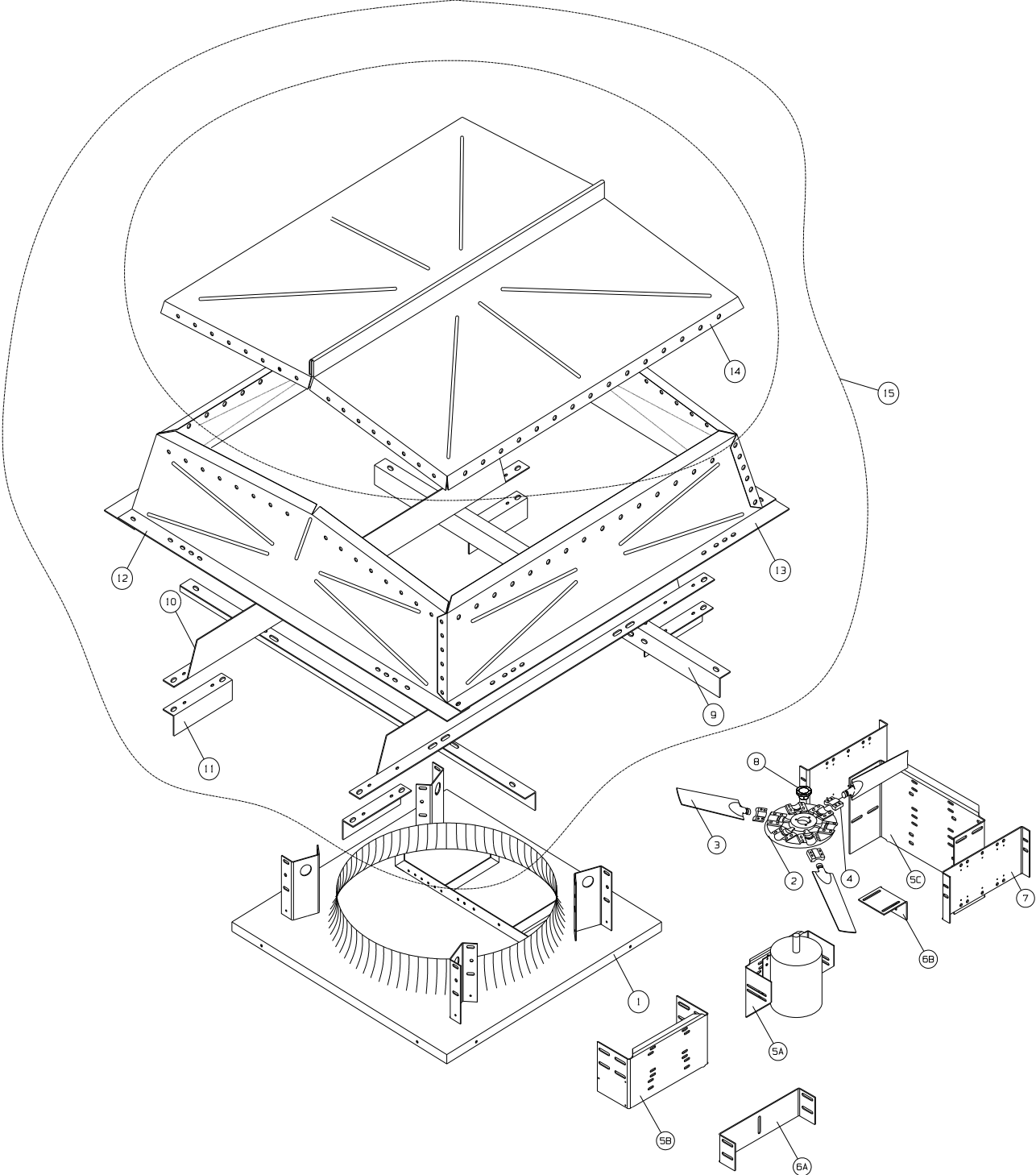
PDC 24-36 Power Roof Ventilators Parts List

CODE	DESCRIPTION	QTY	24		30		36 (870 & 1160 RPM Models Only)		36 (1750 RPM Models Only)	
			56-145T	182T-215T	56-145T	182T-215T	56-145T	182T-215T	56-145T	182T-215T
1	PRV Base Assembly	1	55-40-21-24		55-40-21-30		55-40-21-36			
2	Hub	1	CALL		CALL		CALL		CALL	
3	Blade	*	14-111-3-3		14-111-3-5		14-111-3-7		14-211-6-9	
4A	U-Bolt	*	1204.12-304						———	
4B	Blade Clamp	*	———						14-122-7-1	
5	Motor Bracket	1	14-161-30-1				14-161-31-1			
6A	Motor Safety Brace	1	———	14-101-25-1	———	14-101-25-1	———			
6B			———				14-101-26-1	———	14-101-26-1	
7	Hub Bushing	1	———				CALL			
8	Support Angle	2	14-102-152-1				14-102-152-2			
9	Side Sheet - Peak	2	14-149-168-1				14-149-171-1			
10	Side Sheet - No Peak	2	14-149-169-1				14-149-172-1			
11	Top Sheet	1	14-149-170-1				14-149-173-1			
12	P-Top Assembly	1	55-19-3-30				55-19-3-36			

* Quantity varies with fan model



PDC 42-60 Power Roof Ventilators Parts List





PDC 42-60 Power Roof Ventilators Parts List

CODE	DESCRIPTION	QTY	42		48		54		60		
			56-145T	182T-215T	182T-215T	254T-256T	213T-215T	254T-256T	213T-215T	254T-256T	
1	PRV Base Assembly	1	55-40-21-42		55-40-25-48		55-40-25-54		55-16-25-60		
2	Hub	1	CALL		CALL		CALL		CALL		
3	Blade	*	CALL		CALL		CALL		CALL		
4	Blade Clamp	*	14-122-7-1								
5A	Motor Bracket	1	14-161-31-1		_____						
5B			_____	14-161-32-1	_____	14-161-32-1	_____	14-161-32-1	_____		
5C			_____	_____	14-161-34-1	_____	14-161-34-1	_____	14-161-34-1		
6A	Motor Safety Brace	1	_____	14-101-26-1		_____	14-101-26-1	_____	14-101-26-1	_____	
6B			_____	_____	14-101-20-1	_____	14-101-20-1	_____	14-101-20-1		
7	Motor Bracket Adaptor	2	_____		14-101-5-1	_____	14-101-5-1	_____	14-101-5-1		
8	Hub Bushing	1	CALL		CALL		CALL		CALL		
9	Support Angle	2	14-102-152-3		14-102-152-4		14-102-152-5		14-102-152-6		
10	Support Angle - Notch	2	_____				14-102-162-1		14-102-162-2		
11	Support Angle - Reinf.	2	_____				14-102-177-1				
12	Side Sheet - Peak	2	14-149-174-1		14-149-178-1		14-149-180-1		14-149-182-1		
13	Side Sheet - No Peak	2	14-149-175-1		14-149-179-1		14-149-181-1		14-149-183-1		
14	Top Sheet Assembly	1	14-250-17-1		14-250-17-2		14-250-17-3		14-250-17-4		
15	P-Top Assembly	1	55-19-3-42		55-19-3-48		55-19-3-54		55-19-3-60		

* Quantity varies with fan model