

# Type IL Intake Louver



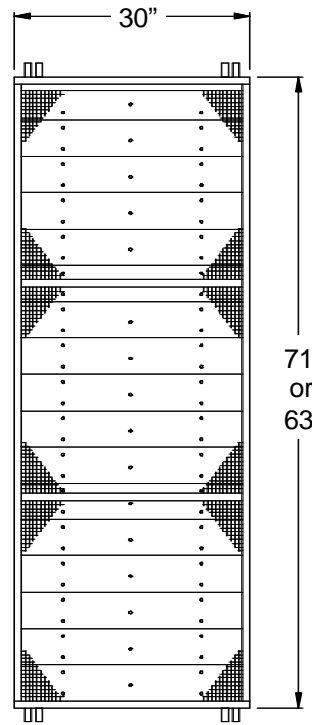
P.O. Box 2300 Jacksonville, Florida 32203  
 Phone: (904) 389-3646  
 Fax: (904) 387-3449 • (904) 381-7560  
 E-mail: fans@coolair.com  
 Internet: www.coolair.com

## Standard Fan Features

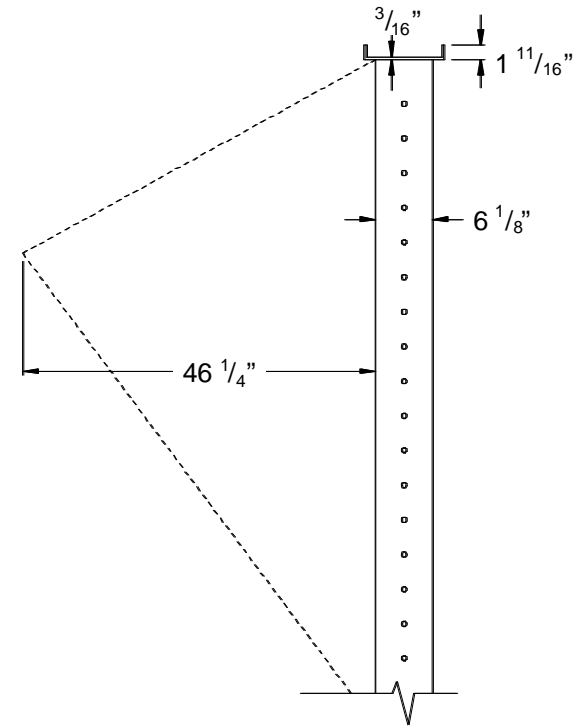
- Center-pivoted interlocking aluminum blades
- Blades reinforced with galvanized steel
- Stainless steel pivot pins
- Galvanized steel channel frame
- Adjustable mounting anchors - no flanges required
- Galvanized birdscreen
- Manual or motor operated

## Abbreviations for Accessories

- E – Motor operated (specify voltage)  
 IH – Rain or snow hood



**OUTSIDE WALL VIEW**



**SIDE VIEW  
(Hood is optional)**

LOUVER MODEL <sup>1</sup>	DIMENSIONS IN INCHES			ACCESSORIES <sup>2</sup>				
	WIDTH	HEIGHT	SHIPPING WT. LBS.	MOTOR KIT	SHIPPING WT. LBS.	HOOD		SHIPPING WT. LBS.
						SINGLE	DOUBLE	
IL3063	30	63	40	MK (____V)	7	IH3071	IH6071	47
IL3071	30	71	45	MK (____V)	7	IH3071	IH6071	52

1 - Standard louver is designed for manual operation. Louver has heavy-gauge galvanized steel frame and interlocking aluminum blades. Face of louver is protected by galvanized hardware cloth with 1/2" x 1" mesh. Adjustable mounting anchors for attaching to 8" to 12" masonry wall are included.

2 - Optional Accessories:

- (a) Motor kit with 115v or 230v motor and necessary linkage operates a set of two louvers.
- (b) Galvanized steel hood protects louvers from rain, sleet or snow. Hood is 60" wide and designed for use with two 30" louvers. See illustration above.
- (c) Thermostats for automatic operation of louvers and/or fans are also available accessories.