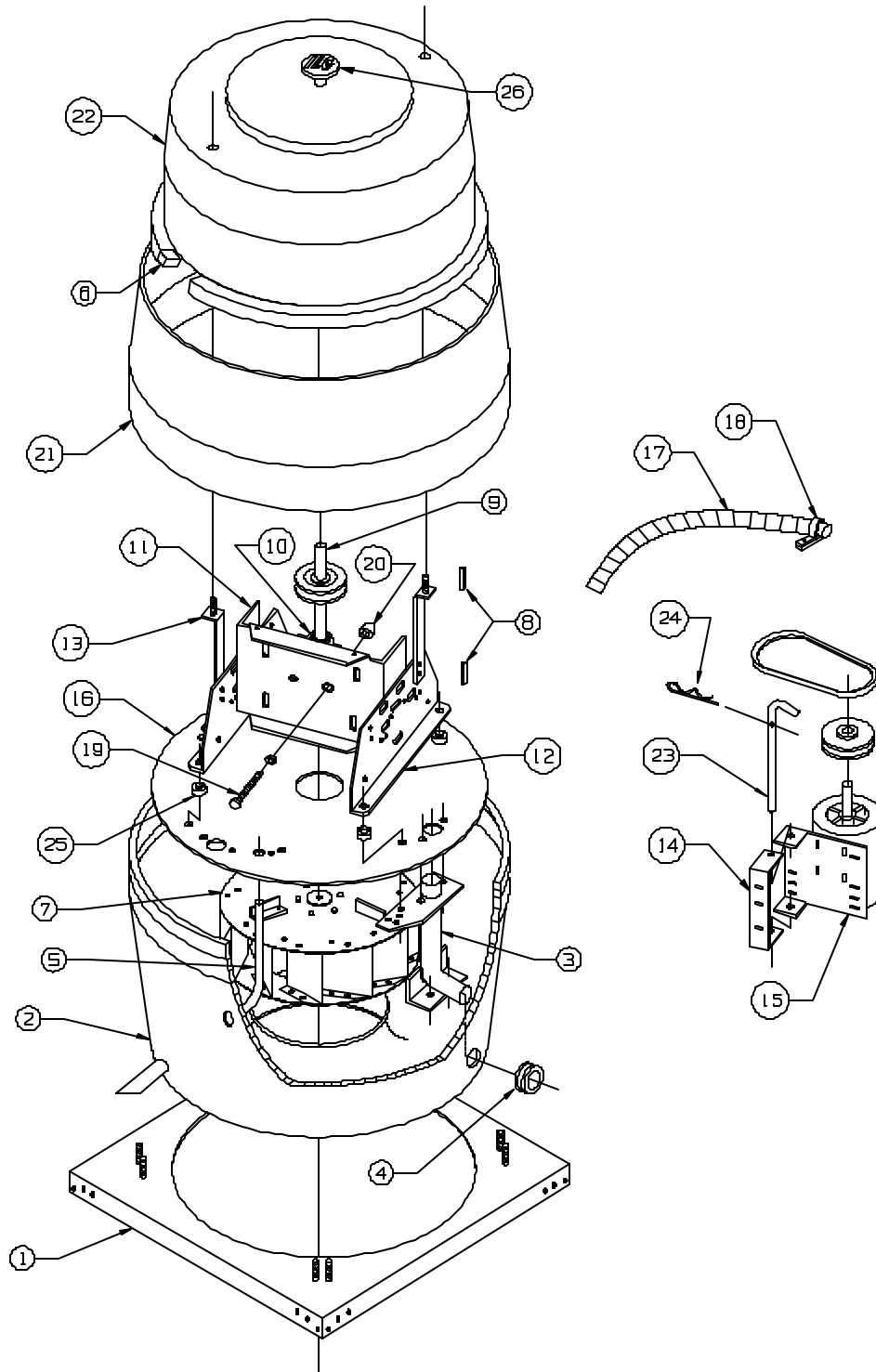




UBCA 12 to 18 Centrifugal Upblast Power Roof

ILG Industries



AMERICAN COOLAIR CORPORATION

GENERAL OFFICES, JACKSONVILLE, FLORIDA 32203-2300 ~ P.O. BOX 2300 ~ (904) 389 3646 ~ FAX (904) 387 3449 ~ E-MAIL - fans@coolair.com
VANE AXIAL FANS ~ TUBE AXIAL FANS ~ PROPELLER FANS ~ POWER ROOF VENTILATORS ~ CENTRIFUGAL VENTILATORS
MEMBER OF AMCA



UBCA 12 to 18 Centrifugal
Upblast Power Roof
Ventilators

ILG Industries

No.	Name of Part	12	13	15	16	18
		Part No.				
1	Bottom Housing Base Assy.	128-71-1			128-71-2	
2	Bottom Outer Housing	151-235-1	151-235-2	151-235-3	151-236-1	151-236-2
3	Chassis Support Assy.	289-31-1			289-31-2	
4	Grommet	12-174-51-1				
5	Tubing	191-7-1			191-7-2	
* 6	Gasket	12-174-53-1				
7	Wheel Assembly	235-130-3	235-131-3	235-132-3	235-133-3	235-134-3
8	Key	1220.1-1				
9	Shaft	2113-2500B				
10	Bearings	1232.1				
11	Motor/Bearing Plate	161-186-1			161-187-1	
12	Support Rail	102-199-1			102-199-2	
13	Roof Bracket	188-86-1				
14	Swivel Bracket	161-142-1				
15	Motor Bracket	161-141-1				
16	Compartment Disc	161-149-1			161-150-1	
* 17	Cooling Hose	2113-1221			2116-1224	
* 18	Speed Clamp	1219.1				
19	Adjusting Screw	1204.24-7				
20	Rubber Thimble	1209.1-1				
21	Upper Outer Housing	2113-0006B			2116-0006B	
22	Roof	2113-0016A			2120-0012A	
23	Swivel Pin	170-3-3				
24	Hairpin Cotter	1221.2-1				
25	Vibration Isolator	12-174-58-2				
* 26	Roof Handle	146-6-1				

* -- These parts are only affixed to UBCA fans with UL 762 construction.

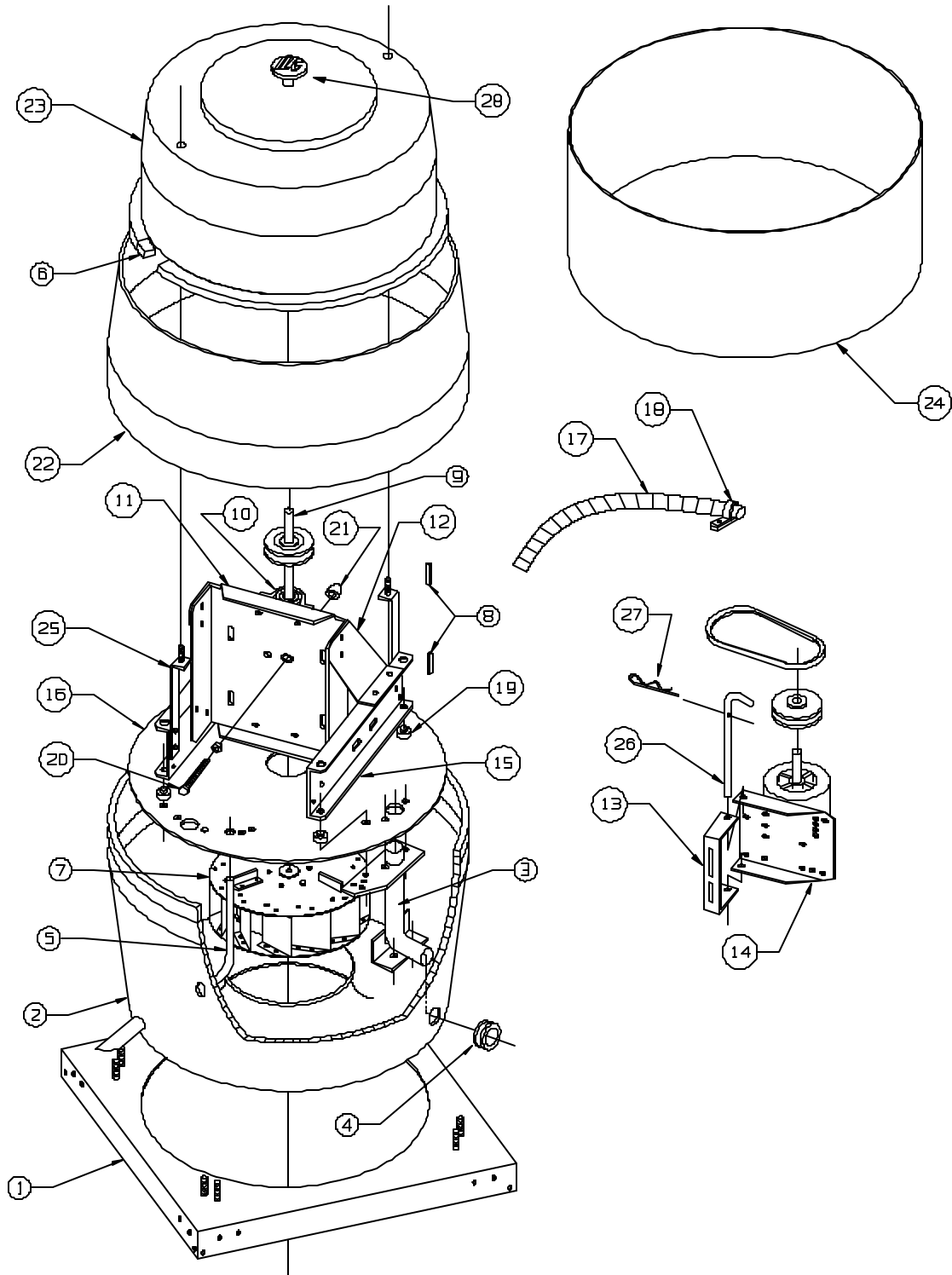
AMERICAN COOLAIR CORPORATION

GENERAL OFFICES, JACKSONVILLE, FLORIDA 32203-2300 ~ P.O. BOX 2300 ~ (904) 389 3646 ~ FAX (904) 387 3449 ~ E-MAIL - fans@coolair.com
VANE AXIAL FANS ~ TUBE AXIAL FANS ~ PROPELLER FANS ~ POWER ROOF VENTILATORS ~ CENTRIFUGAL VENTILATORS
MEMBER OF AMCA



UBCA 20 to 44 Centrifugal Upblast Power Roof

ILG Industries



AMERICAN COOLAIR CORPORATION

GENERAL OFFICES, JACKSONVILLE, FLORIDA 32203-2300 ~ P.O. BOX 2300 ~ (904) 389 3646 ~ FAX (904) 387 3449 ~ E-MAIL - fans@coolair.com
VANE AXIAL FANS ~ TUBE AXIAL FANS ~ PROPELLER FANS ~ POWER ROOF VENTILATORS ~ CENTRIFUGAL VENTILATORS
MEMBER OF AMCA



UBCA 20 to 44 Centrifugal
Upblast Power Roof
Ventilators

ILG Industries

No.	Name of Part	20	24	30	36	44
		Part No.				
1	Bottom Housing Base Assy.	128-71-3		128-71-4	128-71-5	128-75-1
2	Bottom Outer Housing	151-237-1	2124-0004B	2130-0008C	2136-0006D	151-241-1
3	Chassis Support Assy.	289-31-3	289-31-4	289-31-5	289-31-6	289-31-7
4	Grommet	12-174-51-1				
5	Tubing	191-7-3	191-7-5	191-7-6	191-7-7	191-7-8
*	6 Gasket	12-174-53-1				
7	Wheel Assembly	235-135-5	235-157-5	235-158-5	235-159-6	235-160-6
8	Key	1220.2-1				
9	Shaft	180-1-20	2130-2514		5718-2503A	
10	Bearings	1232.3			1232.4	
11	Motor/Bearing Plate	161-147-1		161-147-2	161-148-1	161-152-1
12	Support Gusset	115-139-1			115-139-2	
13	Swivel Bracket	2124-1114A				
14	Motor Bracket	2124-1144				
15	Support Rail	102-173-1	102-173-2		102-173-3	102-173-4
16	Compartment Disc	161-151-1	161-160-1		161-161-1	161-162-1
*	17 Cooling Hose	2120-1219	2130-1216		2136-1215	
*	18 Speed Clamp	1219.1				
19	Vibration Isolator	12-174-58-2				
20	Adjusting Screw	1204.24-7				
21	Rubber Thimble	1209.1-1				
22	Upper Outer Housing	2120-0006B		2130-0006C	151-242-2	151-242-1
23	Roof	2124-0005A		2130-0035A	2136-0007A	2144-2401A
24	Housing Extension	-----			2136-0030A	-----
25	Roof Bracket	188-118-1			188-118-2	
26	Swivel Pin	170-3-3				
27	Hairpin Cotter	1221.2-1				
*	28 Roof Handle	146-6-1				

* -- These parts are only affixed to UBCA fans with UL 762 construction.

AMERICAN COOLAIR CORPORATION

GENERAL OFFICES, JACKSONVILLE, FLORIDA 32203-2300 ~ P.O. BOX 2300 ~ (904) 389 3646 ~ FAX (904) 387 3449 ~ E-MAIL - fans@coolair.com
VANE AXIAL FANS ~ TUBE AXIAL FANS ~ PROPELLER FANS ~ POWER ROOF VENTILATORS ~ CENTRIFUGAL VENTILATORS
MEMBER OF AMCA