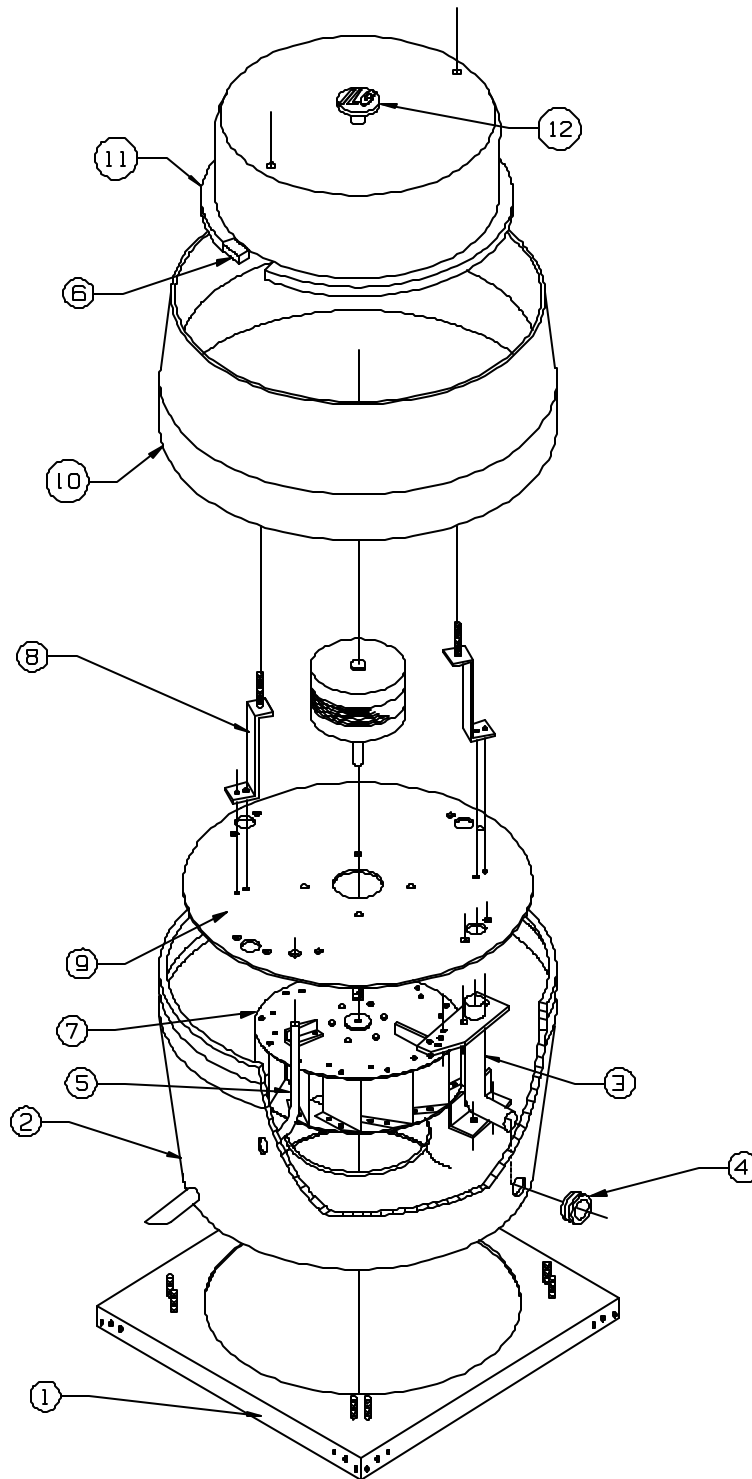




UDCA 12 to 15 Centrifugal Upblast PRV's

ILG Industries



AMERICAN COOLAIR CORPORATION

GENERAL OFFICES, JACKSONVILLE, FLORIDA 32203-2300 ~ P.O. BOX 2300 ~ (904) 389 3646 ~ FAX (904) 387 3449 ~ E-MAIL - fans@coolair.com
VANE AXIAL FANS ~ TUBE AXIAL FANS ~ PROPELLER FANS ~ POWER ROOF VENTILATORS ~ CENTRIFUGAL VENTILATORS

MEMBER OF AMCA



UDCA 12 to 15 Centrifugal
Upblast PRV's

ILG Industries

		12	13	15
No.	Name of Part	Part No.		
1	Bottom Housing Base Assy.	128-71-1		
2	Bottom Outer Housing	151-235-1	151-235-2	151-235-3
3	Chassis Support Assy.	289-31-1		
4	Grommet	12-174-51-1		
5	Tubing	191-7-1		
6	Rubber Gasket	12-174-53-1		
7	Wheel Assembly	235-130-1	235-131-1	235-132-1
8	Roof Bracket	188-129-1		
9	Compartment Disc	161-183-1		
10	Upper Outer Housing	2113-0006B		
11	Roof	178-15-1		
12	Roof Handle	146-6-1		

AMERICAN COOLAIR CORPORATION

GENERAL OFFICES, JACKSONVILLE, FLORIDA 32203-2300 ~ P.O. BOX 2300 ~ (904) 389 3646 ~ FAX (904) 387 3449 ~ E-MAIL – fans@coolair.com
VANE AXIAL FANS ~ TUBE AXIAL FANS ~ PROPELLER FANS ~ POWER ROOF VENTILATORS ~ CENTRIFUGAL VENTILATORS

MEMBER OF AMCA