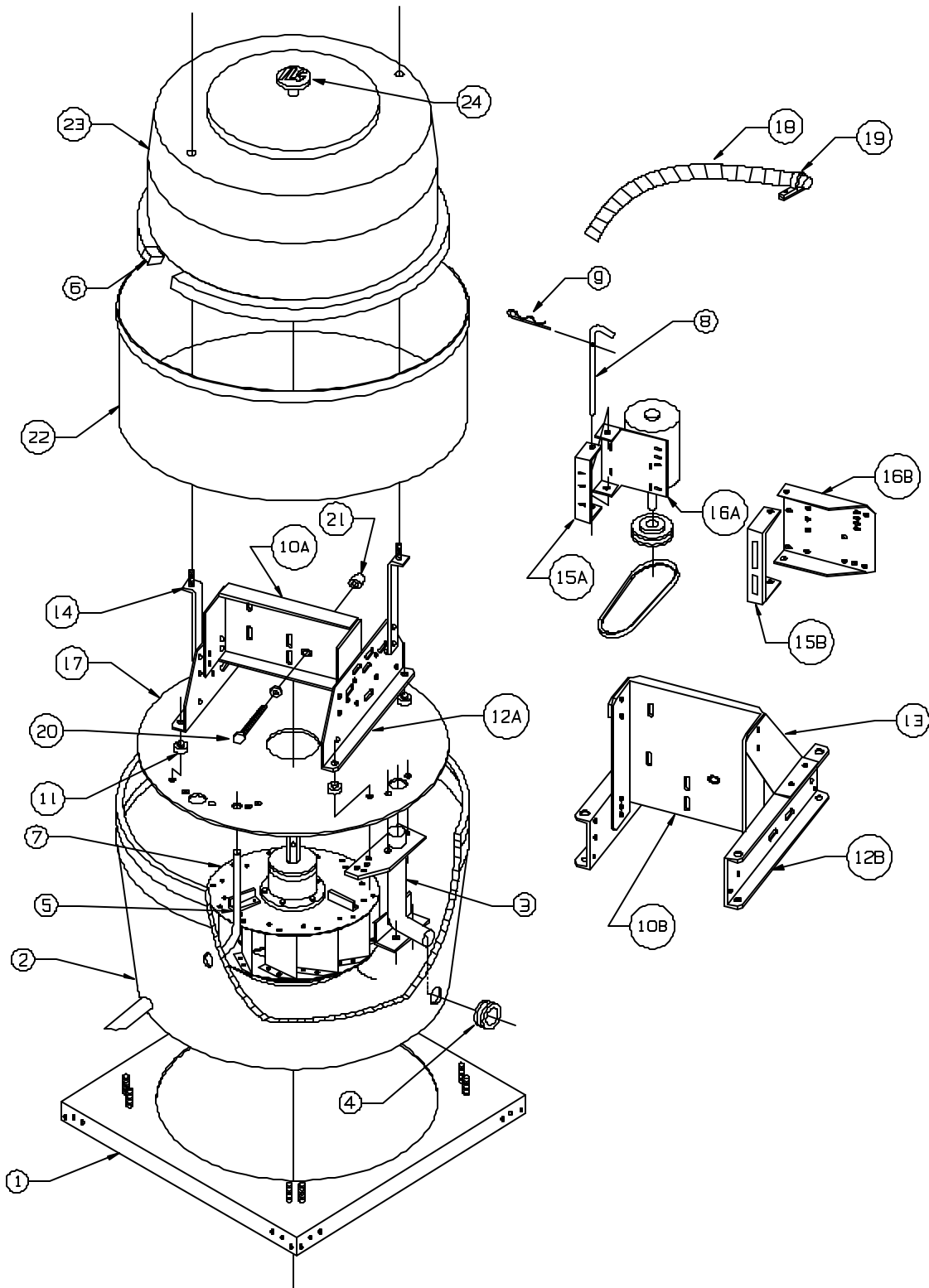




CUBA 12 to 24 Centrifugal Upblast PRV's

ILG Industries



AMERICAN COOLAIR CORPORATION

GENERAL OFFICES, JACKSONVILLE, FLORIDA 32203-2300 ~ P.O. BOX 2300 ~ (904) 389 3646 ~ FAX (904) 387 3449 ~ E-MAIL - fans@coolair.com
VANE AXIAL FANS ~ TUBE AXIAL FANS ~ PROPELLER FANS ~ POWER ROOF VENTILATORS ~ CENTRIFUGAL VENTILATORS
MEMBER OF AMCA



CUBA 12 to 24 Centrifugal
Upblast PRV's

ILG Industries

No.	Name of Part	12	13	15	16	18	21	24	
		Part No.							
1	Bottom Housing Base Assy.	128-71-1			128-71-2		128-71-3		
2	Bottom Outer Housing	151-235-1	151-235-2	151-235-3	151-236-1	151-236-2	151-237-1	2124-0004B	
3	Chassis Support Assy.	289-31-1			289-31-2		289-31-3	289-31-4	
4	Grommet	12-174-51-1							
5	Tubing	191-7-1			191-7-2		191-7-3	191-7-5	
* 6	Gasket	12-174-53-1							
7	Wheel Assembly	235-139-1	235-140-1	235-141-1	235-142-1	235-143-1	235-144-1	235-163-1	
8	Swivel Pin	170-3-3							
9	Hairpin Cotter	1221.2-1							
10A	Shaft Bracket	188-85-1			188-85-2			-----	
10B		-----							188-127-1
11	Vibration Isolator	12-174-58-2							
12A	Support Rail	102-199-1			102-199-2			-----	
12B		-----							102-173-1
13	Support Rail Gusset	-----							115-139-1
14	Roof Bracket	188-86-1				188-118-1			
15A	Swivel Bracket	161-142-1							-----
15B		-----							2124-1114A
16A	Motor Bracket	161-141-1							-----
16B		-----							2124-1144
17	Compartment Disc	161-149-1			161-150-1		161-151-1		
* 18	Cooling Hose	2113-1221			2116-1224		2120-1219		
* 19	Speed Clamp	1219.1							
20	Adjusting Screw	1204.24-7							
21	Rubber Thimble	1209.1-1							
22	Upper Outer Housing	151-207-2			151-208-2		151-245-1		
23	Roof	2113-0016A			2120-0012A		2124-0005A		
* 24	Roof Handle	146-6-1							

* -- These parts are only affixed to CUBA fans with UL 762 construction.

AMERICAN COOLAIR CORPORATION

GENERAL OFFICES, JACKSONVILLE, FLORIDA 32203-2300 ~ P.O. BOX 2300 ~ (904) 389 3646 ~ FAX (904) 387 3449 ~ E-MAIL - fans@coolair.com
VANE AXIAL FANS ~ TUBE AXIAL FANS ~ PROPELLER FANS ~ POWER ROOF VENTILATORS ~ CENTRIFUGAL VENTILATORS
MEMBER OF AMCA