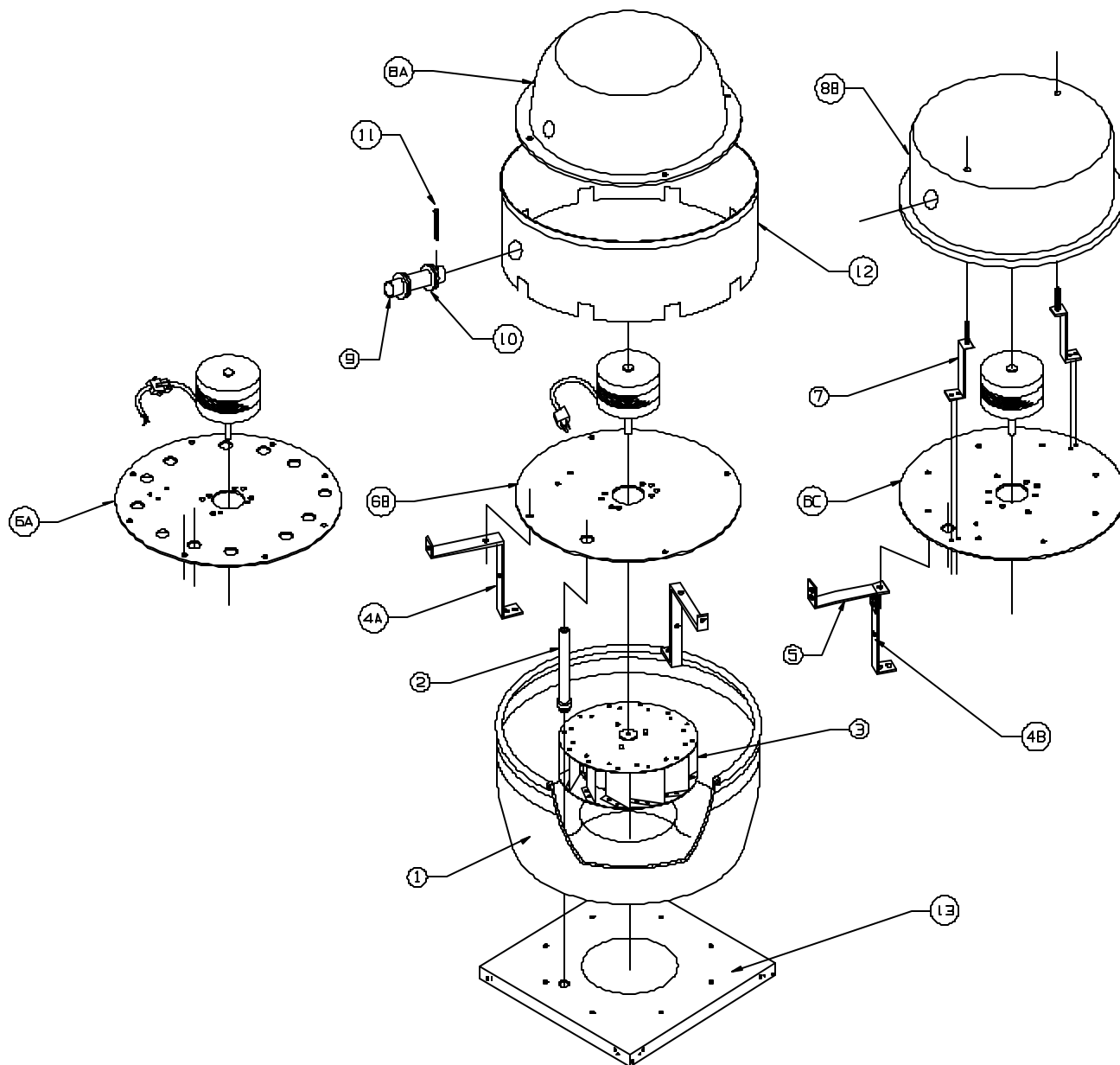




CUDA 06 to 15 Centrifugal Upblast PRV's Face Mounted Motors

ILG Industries



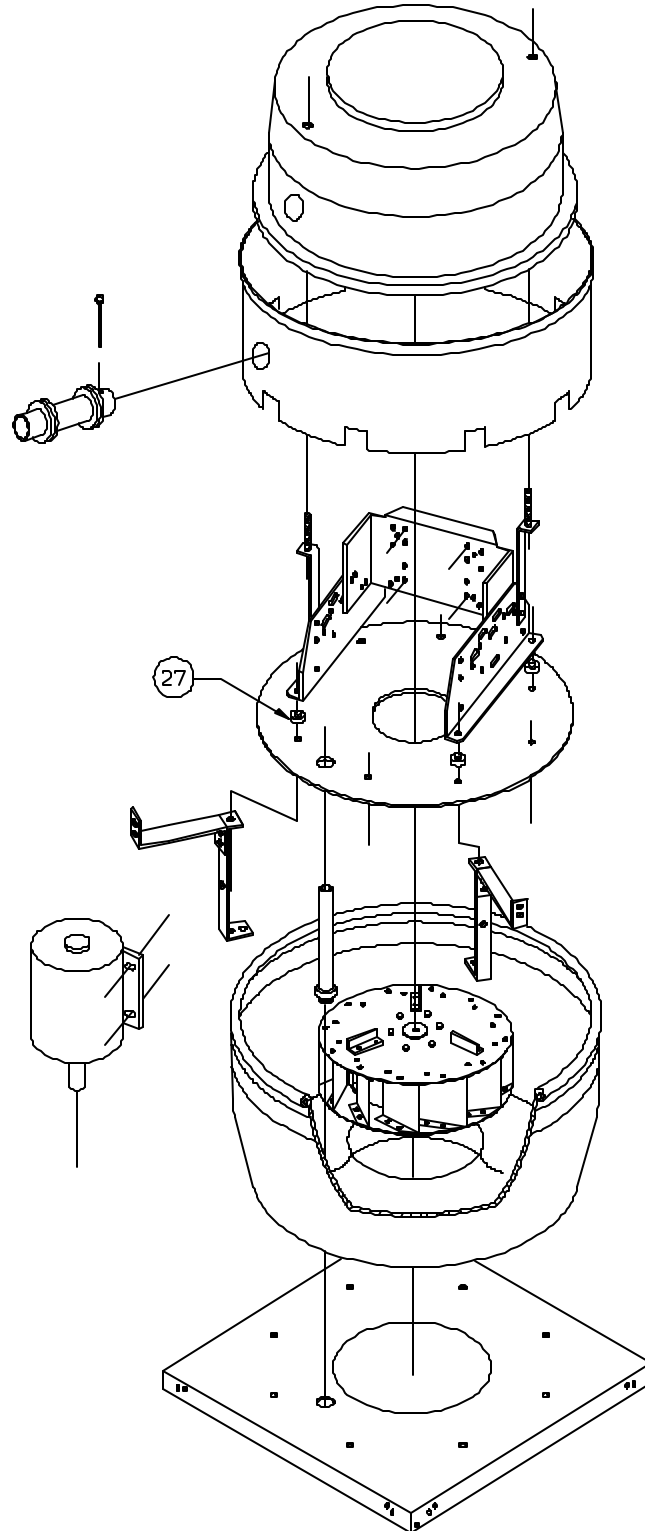
AMERICAN COOLAIR CORPORATION

GENERAL OFFICES, JACKSONVILLE, FLORIDA 32203-2300 ~ P.O. BOX 2300 ~ (904) 389 3646 ~ FAX (904) 387 3449 ~ E-MAIL - fans@coolair.com
VANE AXIAL FANS ~ TUBE AXIAL FANS ~ PROPELLER FANS ~ POWER ROOF VENTILATORS ~ CENTRIFUGAL VENTILATORS
MEMBER OF AMCA



CUDA 12 to 20 Centrifugal
Upblast PRV's
Base Mounted Motors

ILG Industries



AMERICAN COOLAIR CORPORATION

GENERAL OFFICES, JACKSONVILLE, FLORIDA 32203-2300 ~ P.O. BOX 2300 ~ (904) 389 3646 ~ FAX (904) 387 3449 ~ E-MAIL - fans@coolair.com
VANE AXIAL FANS ~ TUBE AXIAL FANS ~ PROPELLER FANS ~ POWER ROOF VENTILATORS ~ CENTRIFUGAL VENTILATORS
MEMBER OF AMCA



CUDA 06 to 20 Centrifugal
Upblast PRV's

ILG Industries

06 to 15 with Face Mounted Motor

No.	Name of Part	06	08	10	12	13	15	
1	Bottom Outer Housing	151-228-1	151-228-2	151-228-3	151-229-1	151-229-2	151-229-3	
2	Conduit	191-4-1			191-4-3			
3	Wheel Assembly	5/16" Bore	235-127-2	235-128-2	235-129-2	-----		
		1/2" Bore	235-127-1	235-128-1	235-129-1	235-130-1	235-131-1	235-132-1
		5/8" Bore	-----			235-131-2	235-132-2	
4A	Compartment Disc Support	188-81-1			-----			
4B		-----			188-113-1			
5	Support Reinforcement	-----			188-114-1			
6A	Compartment Disc	161-185-1			-----			
6B		161-179-1			-----			
6C		-----			161-182-1			
7	Roof Bracket	-----			188-129-1			
8A	Roof	178-3-1			-----			
8B		CN21123	-----			178-15-1		
9	Cooling Tube	191-5-1			191-5-2			
10	Grommet	12-174-51-1						
11	Cotter Pin	1221.1-1						
12	Upper Outer Housing	151-206-1			151-207-1			
13	Curb Cap	128-64-1			128-65-1			

12 to 20 with Base Mounted Motor

No.	Name of Part	12	13	15	16	18	20	
14	Bottom Outer Housing	151-229-1	151-229-2	151-229-3	151-230-1	151-230-2	151-230-3	
15	Conduit	191-4-3			191-4-6			
16	Wheel Assembly	5/8" Bore	235-130-2	235-131-2	235-132-2	235-133-2	235-134-2	235-135-2
		7/8" Bore	-----			235-133-4	-----	
17	Support Rail	102-199-1			102-199-2			
18	Roof Bracket	188-86-1						
19	Motor Bracket	161-174-1			161-174-2			
20	Compartment Disc	161-180-1			161-181-1			
21	Compartment Disc Support	188-113-1			188-113-2			
22	Support Reinforcement	188-114-1			188-114-2			
23	Roof	CN21123	2113-0016A			2120-0012A		
24	Cooling Tube	191-5-2			191-5-1			
25	Grommet	12-174-51-1						
26	Cotter Pin	1221.1-1						
27	Vibration Isolator	12-174-58-2						
28	Upper Outer Housing	151-207-1			151-208-1			
29	Curb Cap	128-65-1			128-66-1			

AMERICAN COOLAIR CORPORATION

GENERAL OFFICES, JACKSONVILLE, FLORIDA 32203-2300 ~ P.O. BOX 2300 ~ (904) 389 3646 ~ FAX (904) 387 3449 ~ E-MAIL - fans@coolair.com
VANE AXIAL FANS ~ TUBE AXIAL FANS ~ PROPELLER FANS ~ POWER ROOF VENTILATORS ~ CENTRIFUGAL VENTILATORS
MEMBER OF AMCA