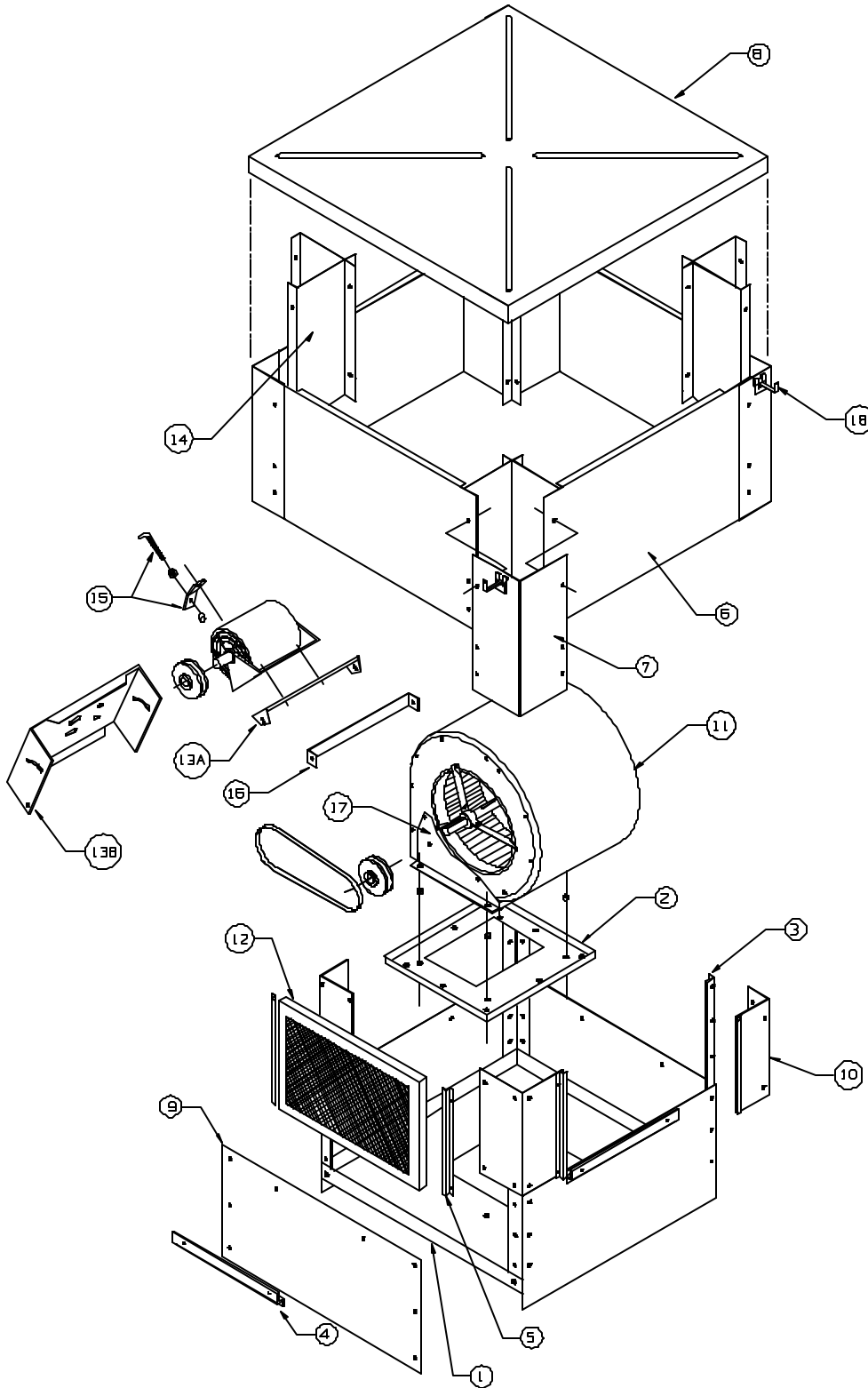




CFS 9 to 18 Centrifugal Filtered Supply Fans

ILG Industries
Division



AMERICAN COOLAIR CORPORATION

GENERAL OFFICES, JACKSONVILLE, FLORIDA 32203-2300 ~ P.O. BOX 2300 ~ (904) 389 3646 ~ FAX (904) 387 3449 ~ E-MAIL - fans@coolair.com
VANE AXIAL FANS ~ TUBE AXIAL FANS ~ PROPELLER FANS ~ POWER ROOF VENTILATORS ~ CENTRIFUGAL VENTILATORS
MEMBER OF AMCA



**CFS 9 to 18 Centrifugal
Filtered Supply Fans**

**ILG Industries
Division**

No.	Name of Part	9	10	12	15	18
1	Blower Panel	169-168-1			169-169-1	
2	Panel Adapter	101-37-1	101-37-2	101-37-4	101-37-3	101-37-5
3	Corner Angle	102-216-1			102-216-2	
4	Filter Bottom Support	137-36-1				
5	Filter Side Support	137-37-1			137-37-2	
6	Hood Side Sheet	149-136-1			149-136-2	
7	Hood Corner Sheet	149-137-1			149-137-2	
8	Hood Top Sheet	149-138-2			149-138-3	
9	Housing Side Sheet	151-215-1			151-215-2	
10	Housing Corner Sheet	151-216-1			151-216-2	
* 11	Blower Assembly	5816.1-9	5816.1-10	5816.1-12	5816.1-15	5816.1-18
12	Filter	5815.1			5815.2	
13A	Motor Bracket	1/4 - 3/4 HP	5816.3-9	5816.3-10LD	5816.3-12	5816.3-15
		1-2 HP		5816.3-10	5816.3-12	5816.3-15
13B		3 HP & Up	-----			161-170-1
14	Hood Support	188-100-1			188-100-2	
15	Motor Adjustment Kit	5816.4				
16	Blower Reinforcement	-----				115-134-1
17	Mounting Feet (Pair)	5816.2-9	5816.2-10	5816.2-12	5816.2-15	5816.2-18
18	Snap Latch	1280.6-A41				

* - Blower assembly includes blower, 3/4 HP motor bracket, mounting feet and one motor adjustment kit (two on sizes 15 & 18)

AMERICAN COOLAIR CORPORATION

GENERAL OFFICES, JACKSONVILLE, FLORIDA 32203-2300 ~ P.O. BOX 2300 ~ (904) 389 3646 ~ FAX (904) 387 3449 ~ E-MAIL - fans@coolair.com
VANE AXIAL FANS ~ TUBE AXIAL FANS ~ PROPELLER FANS ~ POWER ROOF VENTILATORS ~ CENTRIFUGAL VENTILATORS
MEMBER OF AMCA