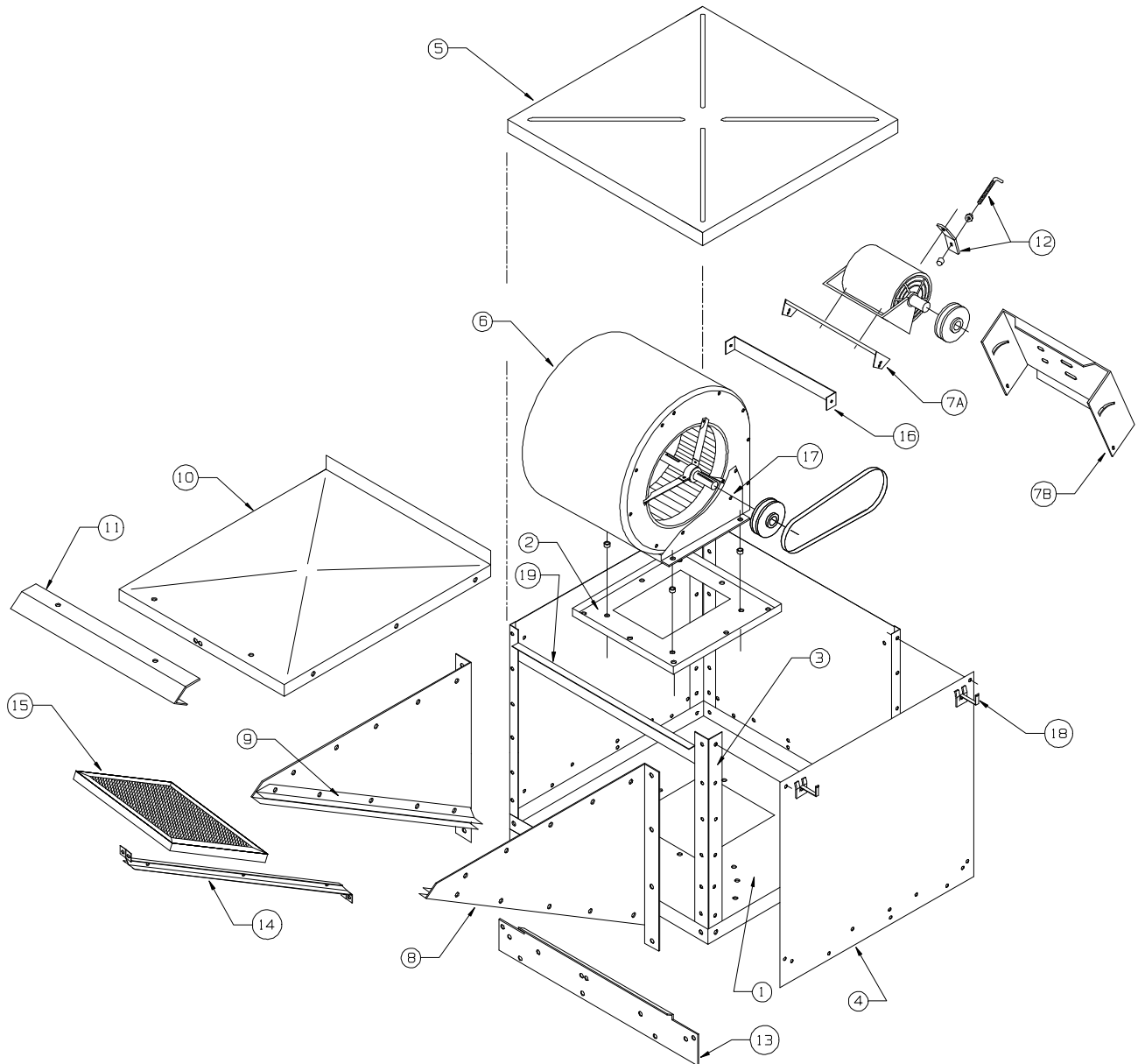




SIS 9 to 18 Centrifugal Filtered Supply Fans

ILG Industries Division



AMERICAN COOLAIR CORPORATION

GENERAL OFFICES, JACKSONVILLE, FLORIDA 32203-2300 ~ P.O. BOX 2300 ~ (904) 389 3646 ~ FAX (904) 387 3449 ~ E-MAIL - fans@coolair.com
VANE AXIAL FANS ~ TUBE AXIAL FANS ~ PROPELLER FANS ~ POWER ROOF VENTILATORS ~ CENTRIFUGAL VENTILATORS
MEMBER OF AMCA



SIS 9 to 18 Centrifugal
Filtered Supply Fans

ILG Industries
Division

No.	Name of Part	9	10	12	15	18
1	Blower Panel	169-168-1			169-169-1	
2	Panel Adapter	101-37-1	101-37-2	101-37-4	101-37-3	101-37-5
3	Corner Angle	102-216-1			102-216-2	
4	Housing Sheet	151-217-1			151-217-2	
5	Housing Top Sheet	149-138-1			149-138-2	
* 6	Blower Assembly	5816.1-9	5816.1-10	5816.1-12	5816.1-15	5816.1-18
7A	Motor Bracket	1/4 - 3/4 HP	5816.3-9	5816.3-10LD	5816.3-12	5816.3-15
		1-2 HP	-----	5816.3-10	5816.3-12	5816.3-15
		3 HP & Up	-----	-----	-----	161-170-1
7B						
8	Intake Hood Side Sheet	149-141-1		149-141-2	149-142-1	
9	Filter Angle	137-39-1		137-39-2	137-39-3	
10	Intake Hood Top Sheet	149-139-1		149-139-2	149-140-1	
11	Filter Retainer	137-40-1		137-40-2	137-40-3	
12	Motor Adjustment Kit	5816.4				
13	Housing Sheet - Inlet Side	151-218-1			151-219-1	
14	Filter Channel	-----			137-38-1	
15	Filter	5815.1		5815.2		
16	Blower Reinforcement	-----				115-134-1
17	Mounting Feet (Pair)	5816.2-9	5816.2-10	5816.2-12	5816.2-15	5816.2-18
18	Snap Latch	1280.6-A41				
19	Hood Reinforcement	115-170-1			115-170-2	

* - Blower assembly includes blower, 3/4 HP motor bracket, mounting feet and one motor adjustment kit (two on sizes 15 & 18)

AMERICAN COOLAIR CORPORATION

GENERAL OFFICES, JACKSONVILLE, FLORIDA 32203-2300 ~ P.O. BOX 2300 ~ (904) 389 3646 ~ FAX (904) 387 3449 ~ E-MAIL - fans@coolair.com
VANE AXIAL FANS ~ TUBE AXIAL FANS ~ PROPELLER FANS ~ POWER ROOF VENTILATORS ~ CENTRIFUGAL VENTILATORS
MEMBER OF AMCA