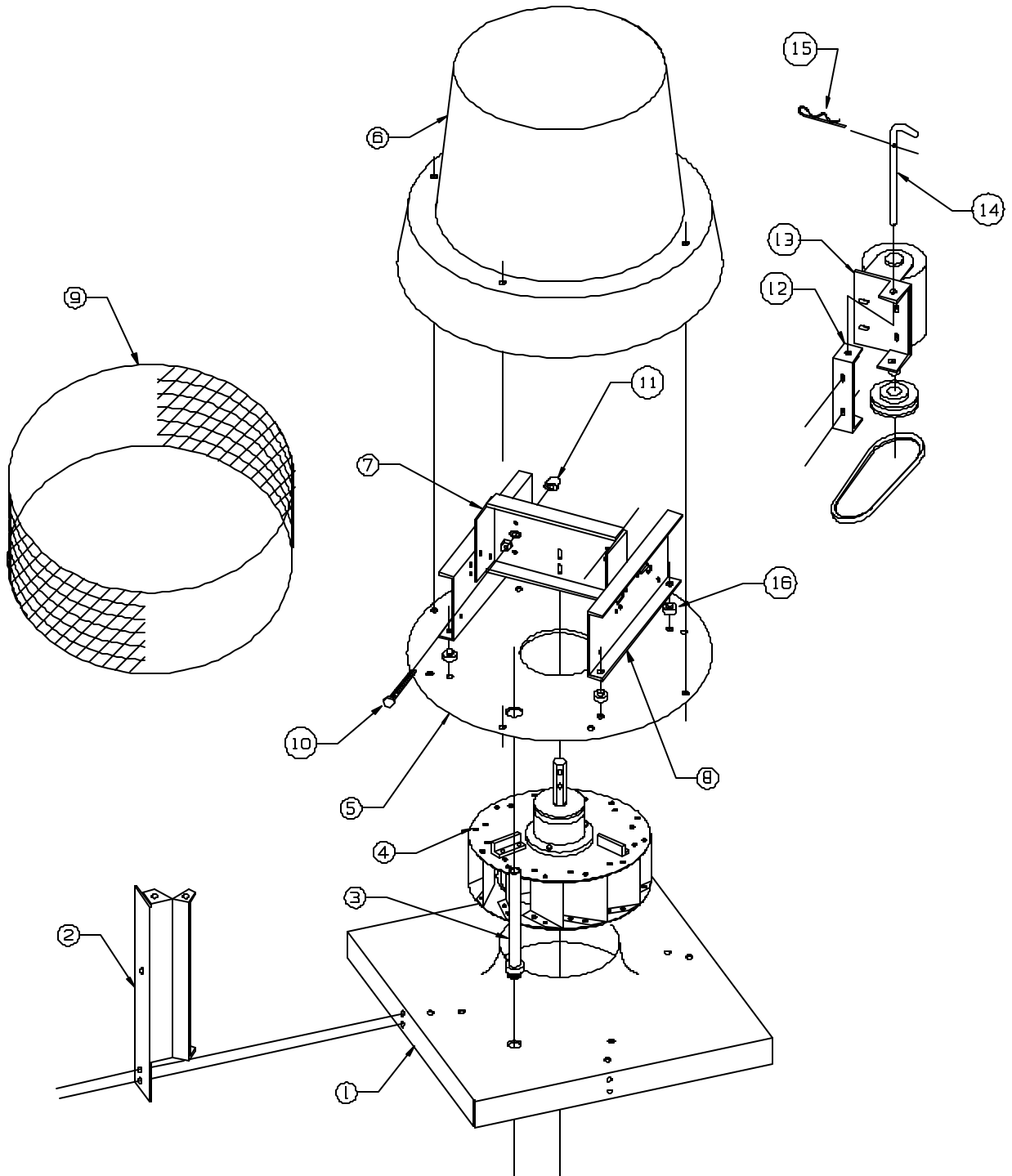




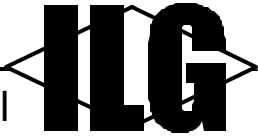
CRBCA 06 to 10 Centrifugal Power Roof Ventilators

ILG Industries



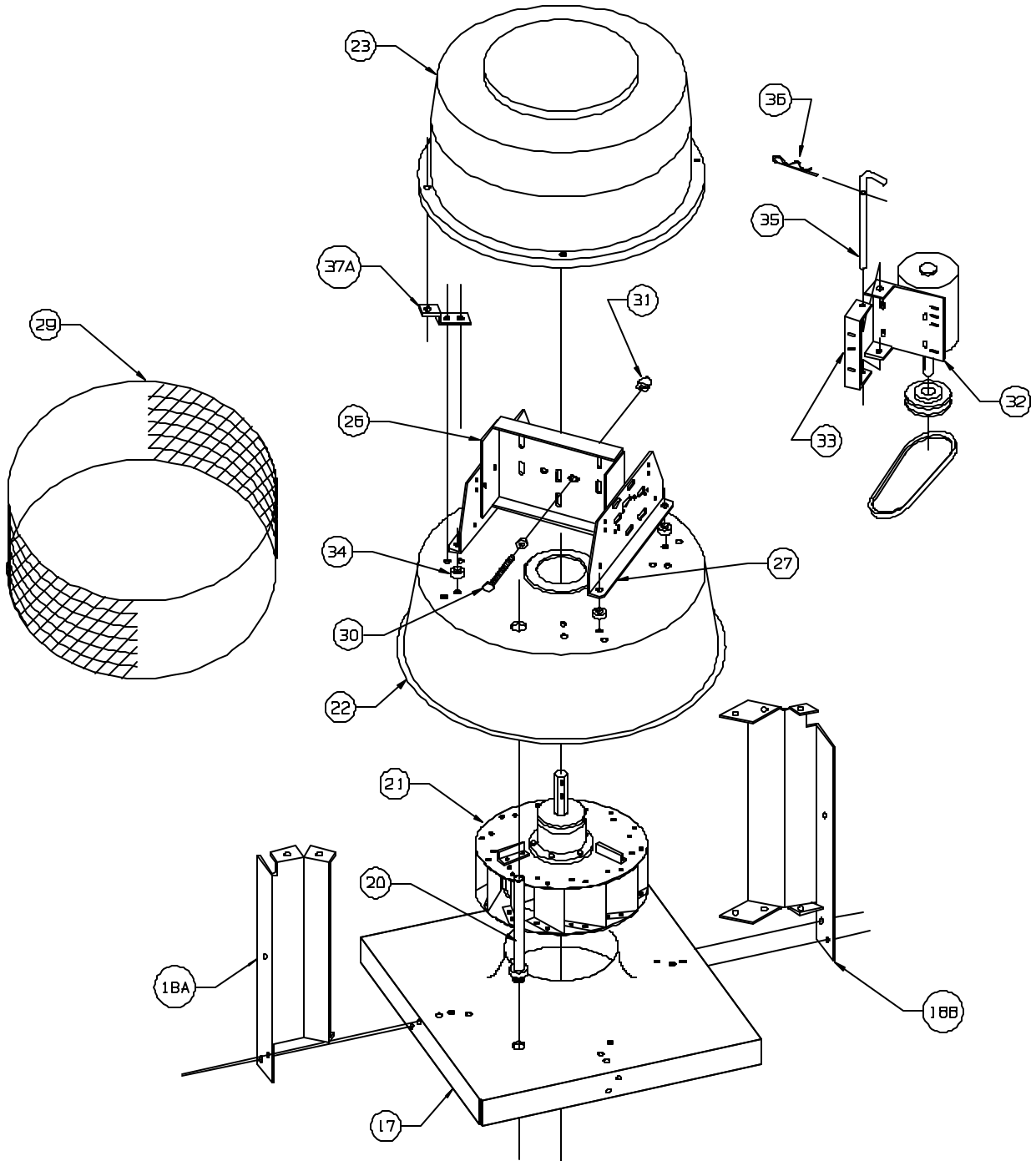
AMERICAN COOLAIR CORPORATION

GENERAL OFFICES, JACKSONVILLE, FLORIDA 32203-2300 ~ P.O. BOX 2300 ~ (904) 389 3646 ~ FAX (904) 387 3449 ~ E-MAIL - fans@coolair.com
VANE AXIAL FANS ~ TUBE AXIAL FANS ~ PROPELLER FANS ~ POWER ROOF VENTILATORS ~ CENTRIFUGAL VENTILATORS
MEMBER OF AMCA



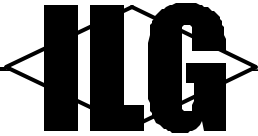
CRBCA 12 to 20 Centrifugal Power Roof Ventilators

ILG Industries



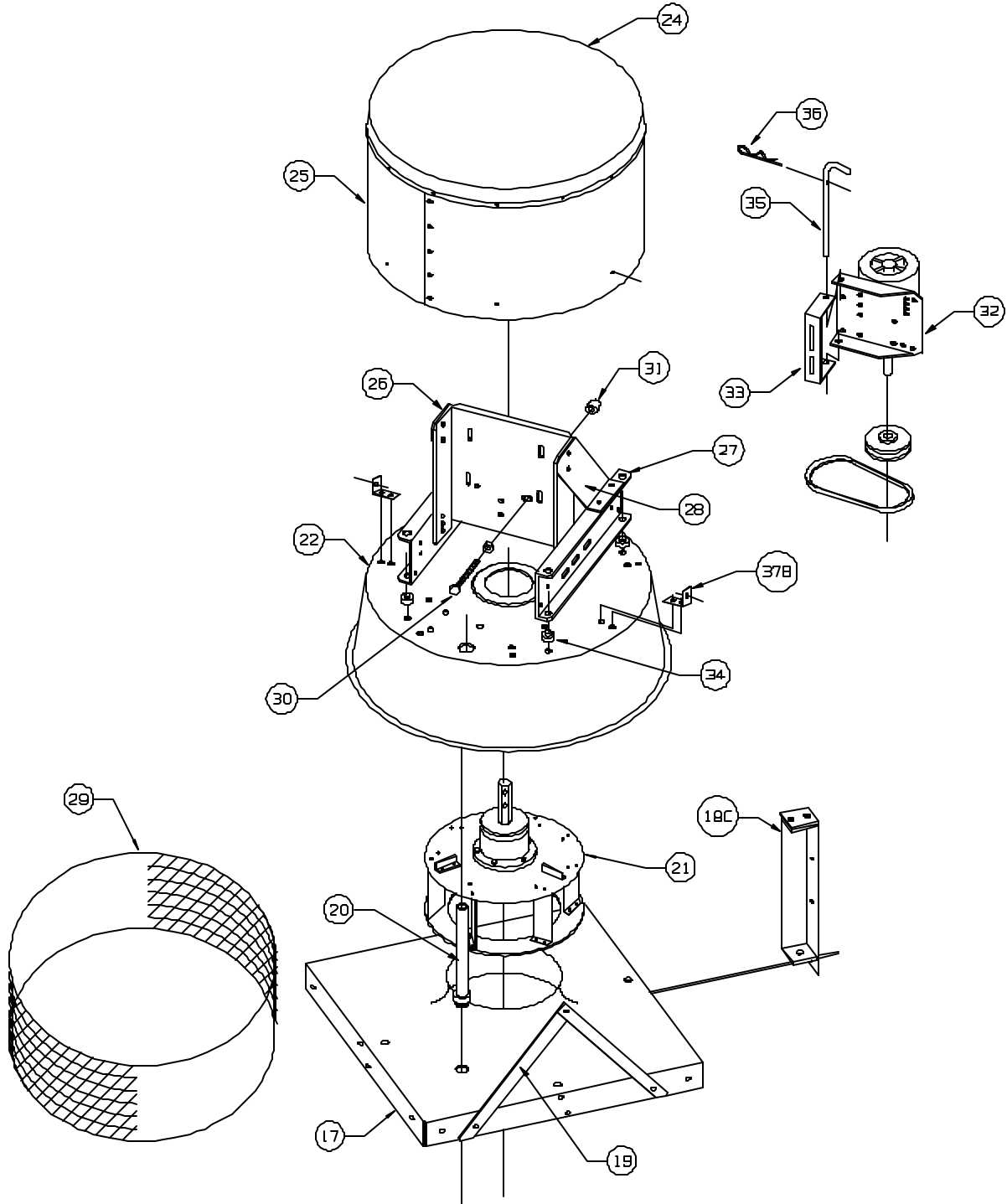
AMERICAN COOLAIR CORPORATION

GENERAL OFFICES, JACKSONVILLE, FLORIDA 32203-2300 ~ P.O. BOX 2300 ~ (904) 389 3646 ~ FAX (904) 387 3449 ~ E-MAIL - fans@coolair.com
VANE AXIAL FANS ~ TUBE AXIAL FANS ~ PROPELLER FANS ~ POWER ROOF VENTILATORS ~ CENTRIFUGAL VENTILATORS
MEMBER OF AMCA



CRBCA 24 Centrifugal Power Roof Ventilators

ILG Industries



AMERICAN COOLAIR CORPORATION

GENERAL OFFICES, JACKSONVILLE, FLORIDA 32203-2300 ~ P.O. BOX 2300 ~ (904) 389 3646 ~ FAX (904) 387 3449 ~ E-MAIL - fans@coolair.com
VANE AXIAL FANS ~ TUBE AXIAL FANS ~ PROPELLER FANS ~ POWER ROOF VENTILATORS ~ CENTRIFUGAL VENTILATORS
MEMBER OF AMCA



CRBCA 06 to 24 Centrifugal
Power Roof Ventilators

ILG Industries

06 to 10

No.	Name of Part	Part No.		
		06	08	10
1	Formed Inlet Base	128-67-1	128-67-2	128-67-3
2	Compartment Disc Support	188-110-1		
3	Conduit	2106-0405A		
4	Wheel Assembly	235-136-1	235-137-1	235-138-1
5	Compartment Disc	161-175-1		
6	Roof	178-7-1		
7	Shaft Bracket	188-107-1		
8	Support Rail	102-218-1		
9	Birdscreen	197-64-1		
10	Tensioning Bolt	1204.24-7		
11	Rubber Thimble	1209.1-1		
12	Swivel Bracket	161-189-1		
13	Motor Bracket	161-190-1		
14	Swivel Pin	170-3-3		
15	Hairpin Cotter	1221.2-1		
16	Vibration Isolator	12-174-58-2		

12 to 24

No.	Name of Part	Part No.							
		12	13	15	16	18	20	24	
17	Formed Inlet Base	128-68-1	128-68-2	128-68-3	128-69-1	128-69-2	128-69-3	2124-1815	
18A	Support Bracket	188-111-1			-----				
18B		-----				188-112-1		-----	
18C		-----							188-120-1
19	Support Bracket Gusset	-----							115-138-1
20	Conduit AN23446	2112-0413A			2118-0411		2124-0402A		
21	Wheel Assembly	235-139-1	235-140-1	235-141-1	235-142-1	235-143-1	235-144-1	235-163-1	
22	Roof Skirt	178-5-1			178-6-1		178-9-1		
23	Roof CN21123	2113-0016A			2120-0012A		-----		
24	Roof Cap	-----							119-14-2
25	Roof Band	-----							175-35-2
26	Shaft Bracket	188-85-1			188-85-2		188-127-1		
27	Support Rail	102-199-1			102-199-2		102-173-1		
28	Support Rail Gusset	-----							115-139-1
29	Birdscreen	197-64-2			197-64-3		2124-5228		
30	Tensioning Bolt	1204.24-7							
31	Rubber Thimble	1209.1-1							
32	Motor Bracket	161-141-1						2124-1144	
33	Swivel Bracket	161-142-1						2124-1114A	
34	Vibration Isolator	12-174-58-2							
35	Swivel Pin	170-3-3							
36	Hairpin Cotter	1221.2-1							
37A	Roof Bracket	188-121-2						-----	
37B		-----							188-121-1

AMERICAN COOLAIR CORPORATION

GENERAL OFFICES, JACKSONVILLE, FLORIDA 32203-2300 ~ P.O. BOX 2300 ~ (904) 389 3646 ~ FAX (904) 387 3449 ~ E-MAIL - fans@coolair.com
VANE AXIAL FANS ~ TUBE AXIAL FANS ~ PROPELLER FANS ~ POWER ROOF VENTILATORS ~ CENTRIFUGAL VENTILATORS
MEMBER OF AMCA