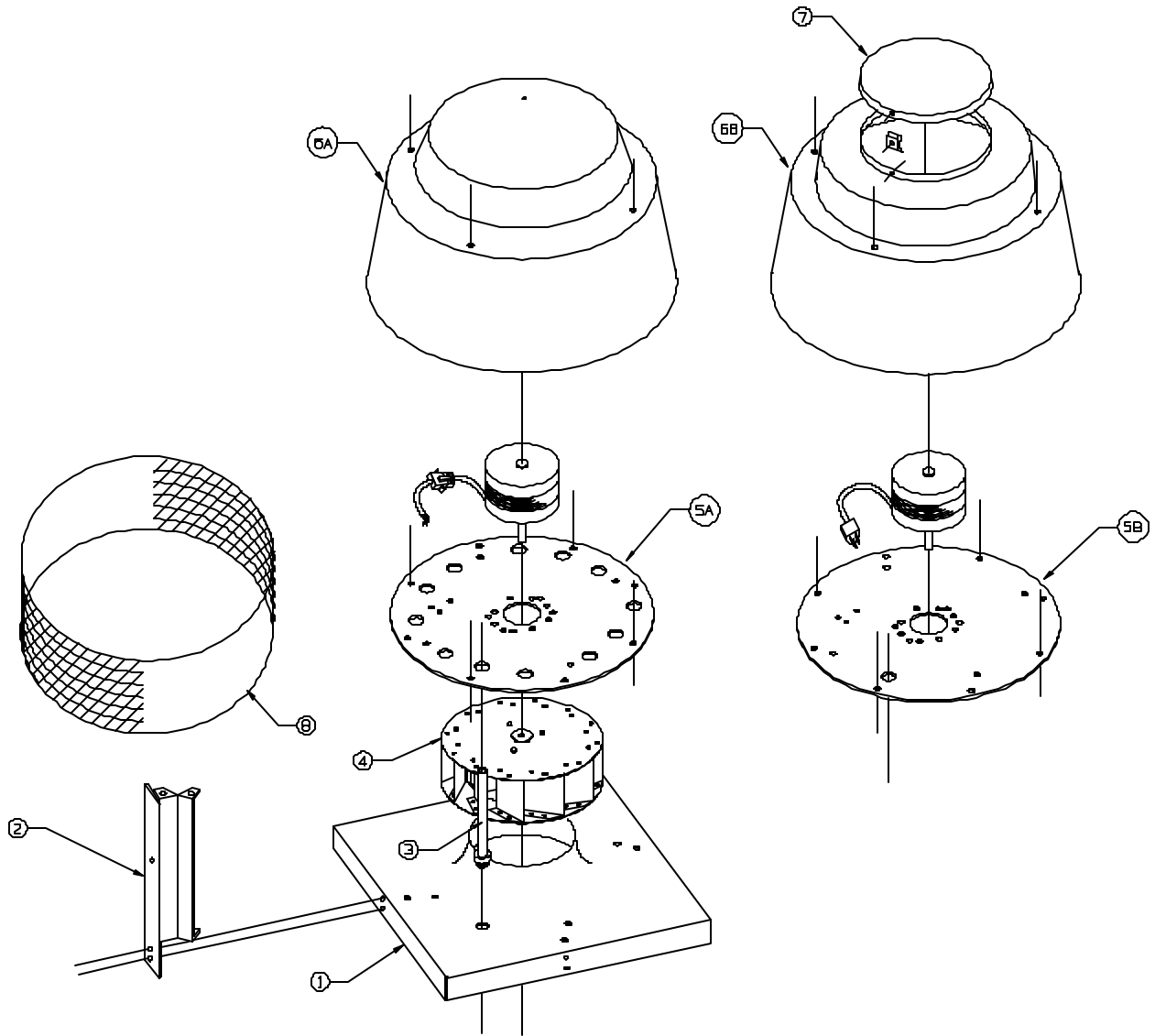




CRDA 06 to 10 Centrifugal Power Roof Ventilators

ILG Industries



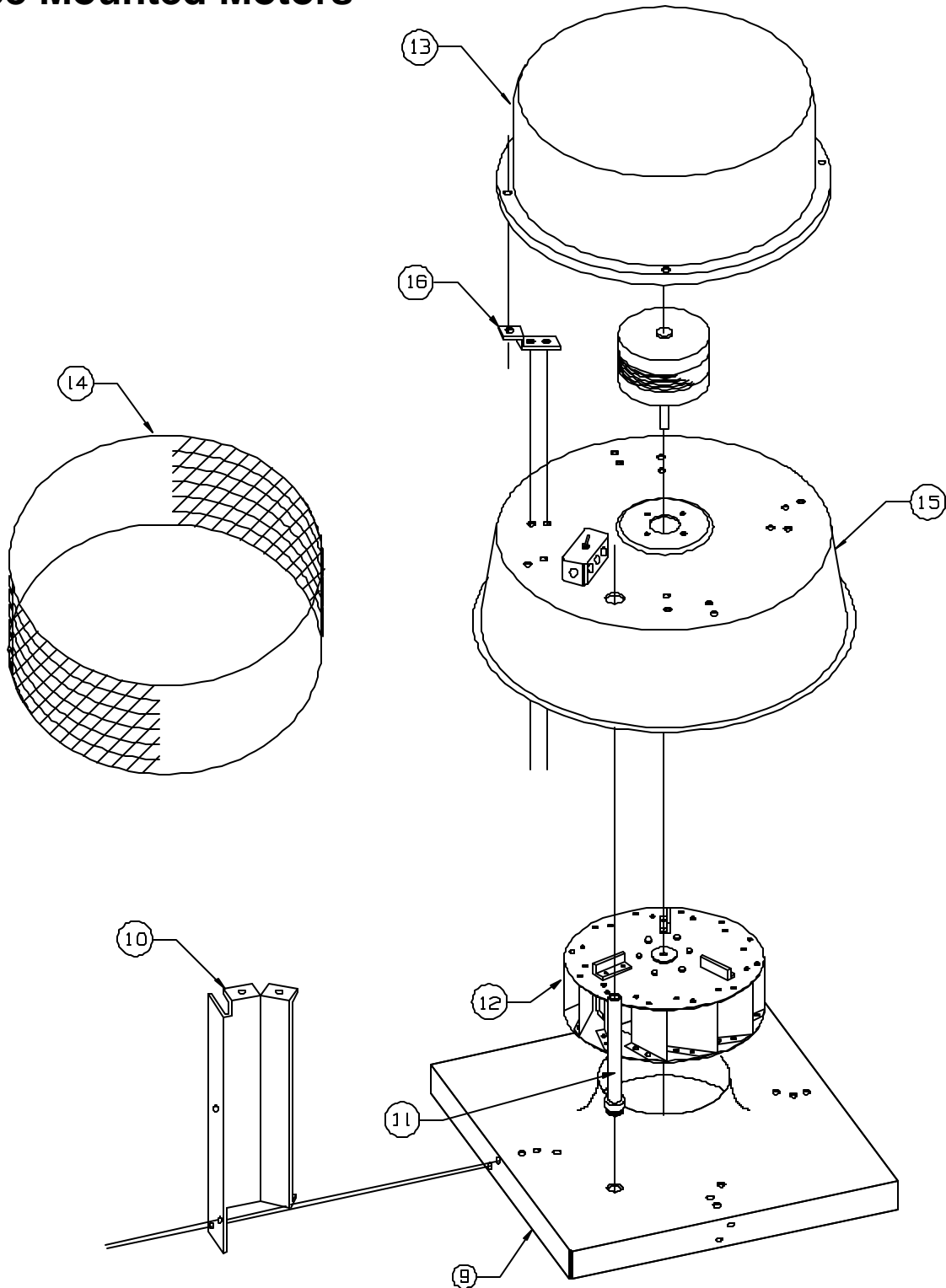
AMERICAN COOLAIR CORPORATION

GENERAL OFFICES, JACKSONVILLE, FLORIDA 32203-2300 ~ P.O. BOX 2300 ~ (904) 389 3646 ~ FAX (904) 387 3449 ~ E-MAIL - fans@coolair.com
VANE AXIAL FANS ~ TUBE AXIAL FANS ~ PROPELLER FANS ~ POWER ROOF VENTILATORS ~ CENTRIFUGAL VENTILATORS
MEMBER OF AMCA



CRDA 12 to 15 Centrifugal Power Roof Ventilators Face Mounted Motors

ILG Industries



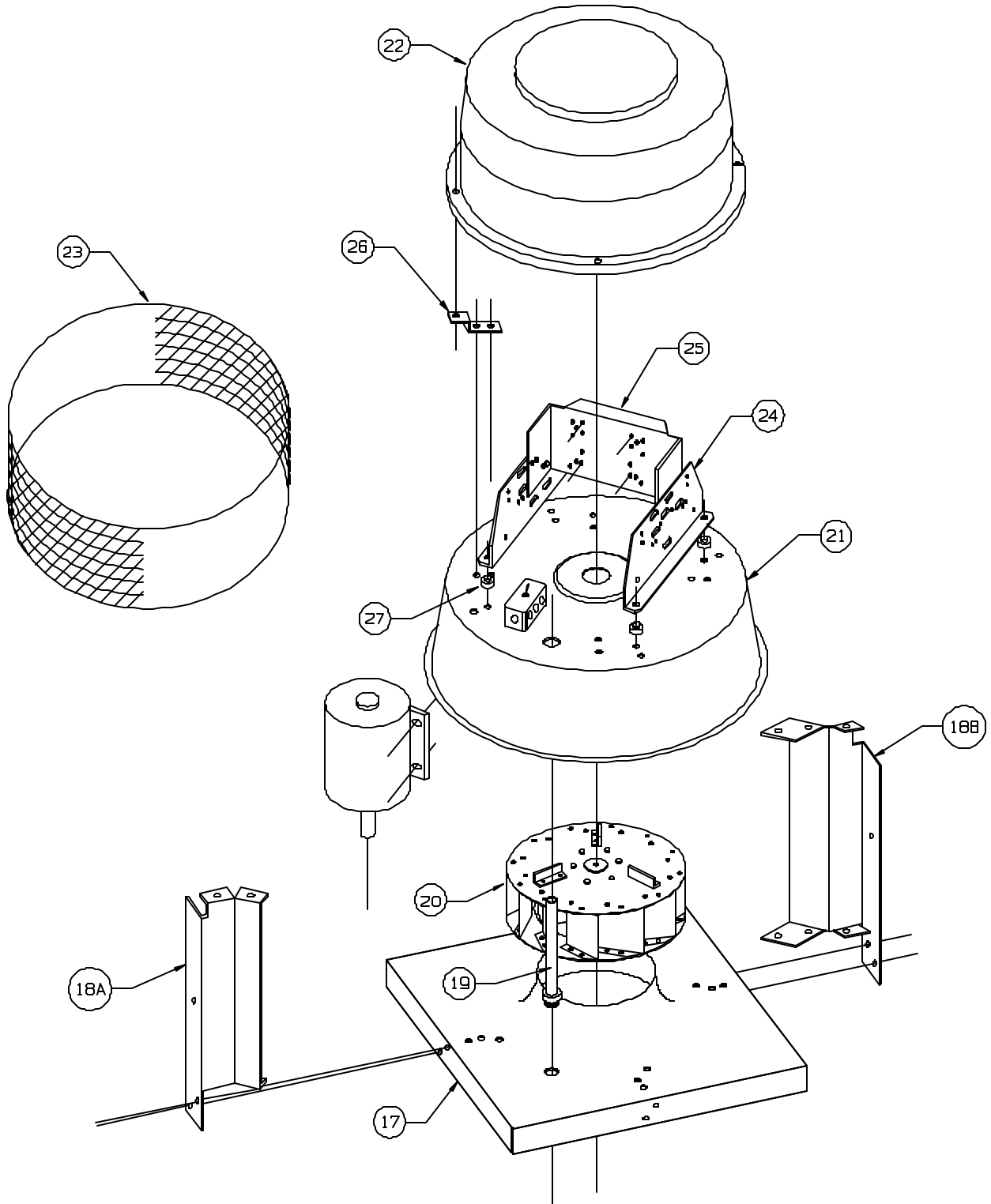
AMERICAN COOLAIR CORPORATION

GENERAL OFFICES, JACKSONVILLE, FLORIDA 32203-2300 ~ P.O. BOX 2300 ~ (904) 389 3646 ~ FAX (904) 387 3449 ~ E-MAIL - fans@coolair.com
VANE AXIAL FANS ~ TUBE AXIAL FANS ~ PROPELLER FANS ~ POWER ROOF VENTILATORS ~ CENTRIFUGAL VENTILATORS
MEMBER OF AMCA



CRDA 12 to 20 Centrifugal Power Roof Ventilators Base Mounted Motors

ILG Industries



AMERICAN COOLAIR CORPORATION

GENERAL OFFICES, JACKSONVILLE, FLORIDA 32203-2300 ~ P.O. BOX 2300 ~ (904) 389 3646 ~ FAX (904) 387 3449 ~ E-MAIL - fans@coolair.com
VANE AXIAL FANS ~ TUBE AXIAL FANS ~ PROPELLER FANS ~ POWER ROOF VENTILATORS ~ CENTRIFUGAL VENTILATORS
MEMBER OF AMCA



CRDA 06 to 20 Centrifugal
Power Roof Ventilators

ILG Industries

06 to 10

No.	Name of Part	06	08	10
1	Formed Inlet Base	128-67-1	128-67-2	128-67-3
2	Compartment Disc Support	188-110-1		
3	Conduit	2106-0405A		
4	Wheel Assembly	5/16" Bore	235-127-2	235-128-2
		1/2" Bore	235-127-1	235-128-1
5A	Compartment Disc	161-184-1		
5B		161-172-1		
6A		178-8-1		
6B	Roof	CN20448	2106-2414B	
7	Dome	2106-2413B		
8	Birdscreen	197-64-1		

12 to 15 with Face Mounted Motor

No.	Name of Part	12	13	15
9	Formed Inlet Base	128-68-1	128-68-2	128-68-3
10	Compartment Disc Support	188-111-1		
11	Conduit	AN23446	2112-0413A	
12	Wheel Assembly	1/2" Bore	235-130-1	235-131-1
		5/8" Bore	-----	235-131-2
13	Roof	178-15-1		
14	Birdscreen	197-64-2		
15	Roof Skirt	178-5-2		
16	Roof Bracket	188-121-2		

12 to 20 with Base Mounted Motor

No.	Name of Part	12	13	15	16	18	20
17	Formed Inlet Base	128-68-1	128-68-2	128-68-3	128-69-1	128-69-2	128-69-3
18A	Compartment Disc Support	188-111-1			-----		
18B		-----			188-112-1		
19	Conduit	AN23446	2112-0413A		2118-0411		
20	Wheel Assembly	5/8" Bore	235-130-2	235-131-2	235-132-2	235-133-2	235-134-2
		7/8" Bore	-----	-----	-----	235-133-4	-----
21	Roof Skirt	178-5-1			178-6-1		
22	Roof	CN21123	2113-0016A		2120-0012A		
23	Birdscreen	197-64-2			197-64-3		
24	Support Rail	102-199-1			102-199-2		
25	Motor Bracket	161-174-1			161-174-2		
26	Roof Bracket	188-109-1					
27	Vibration Isolator	12-174-58-2					

AMERICAN COOLAIR CORPORATION

GENERAL OFFICES, JACKSONVILLE, FLORIDA 32203-2300 ~ P.O. BOX 2300 ~ (904) 389 3646 ~ FAX (904) 387 3449 ~ E-MAIL - fans@coolair.com
VANE AXIAL FANS ~ TUBE AXIAL FANS ~ PROPELLER FANS ~ POWER ROOF VENTILATORS ~ CENTRIFUGAL VENTILATORS
MEMBER OF AMCA