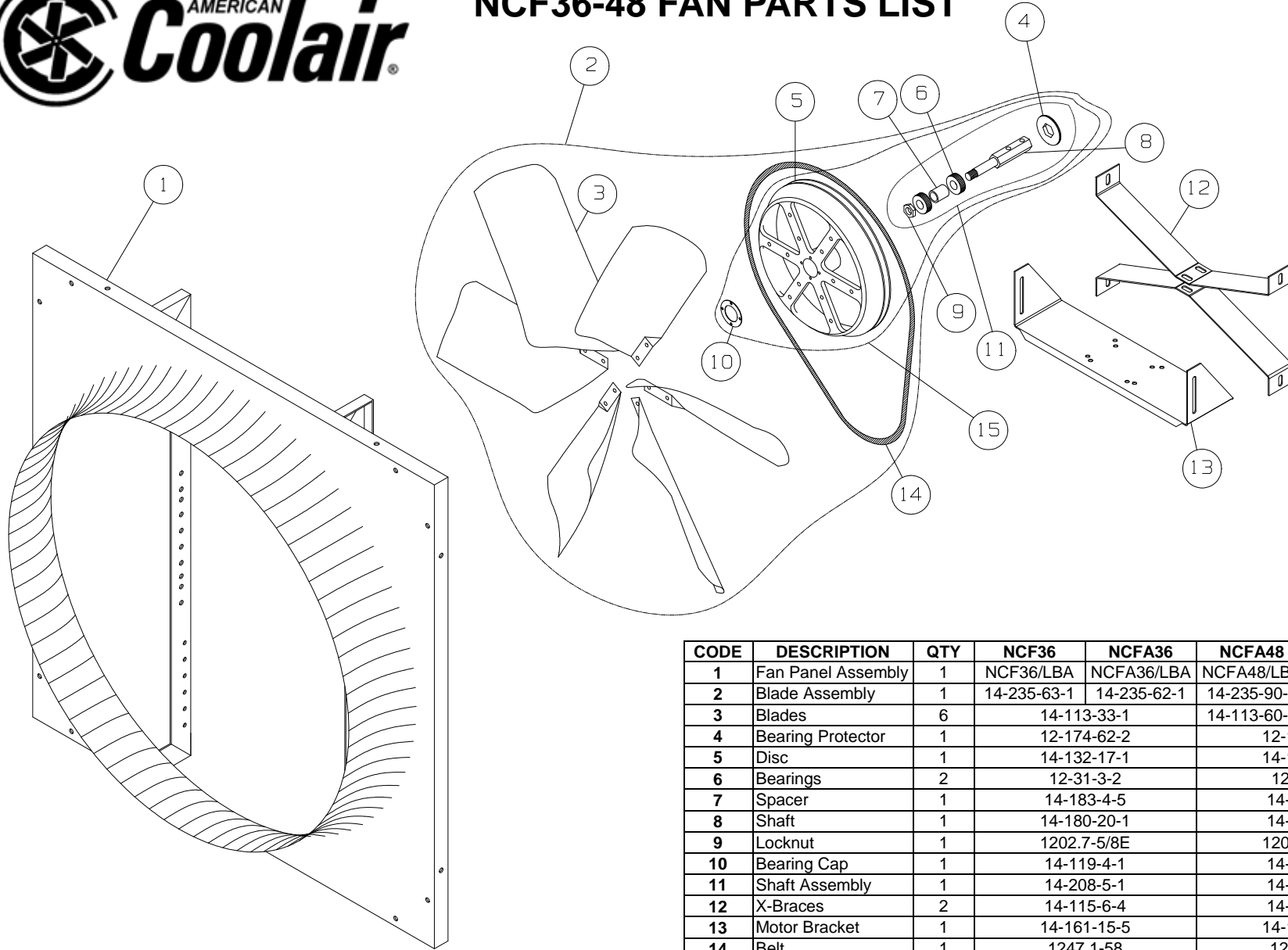




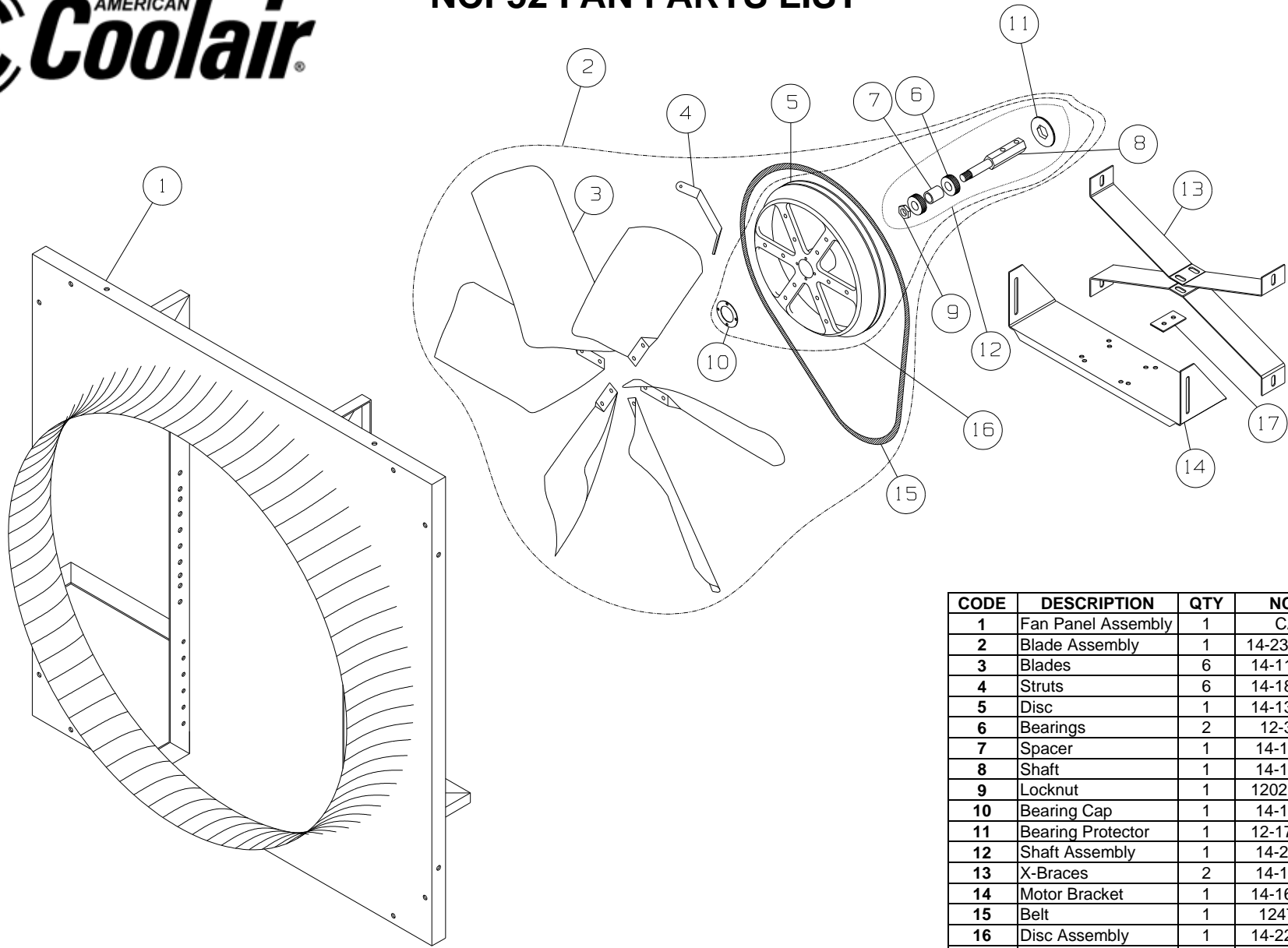
# NCF36-48 FAN PARTS LIST



| CODE | DESCRIPTION        | QTY | NCF36       | NCFA36      | NCFA48      | NCFB48      |
|------|--------------------|-----|-------------|-------------|-------------|-------------|
| 1    | Fan Panel Assembly | 1   | NCF36/LBA   | NCFA36/LBA  | NCFA48/LBA  | NCFB48/LBA  |
| 2    | Blade Assembly     | 1   | 14-235-63-1 | 14-235-62-1 | 14-235-90-1 | 14-235-72-1 |
| 3    | Blades             | 6   | 14-113-33-1 |             | 14-113-60-1 | 14-113-44-1 |
| 4    | Bearing Protector  | 1   | 12-174-62-2 |             | 12-174-62-3 |             |
| 5    | Disc               | 1   | 14-132-17-1 |             | 14-132-15-1 |             |
| 6    | Bearings           | 2   | 12-31-3-2   |             | 12-31-5-2   |             |
| 7    | Spacer             | 1   | 14-183-4-5  |             | 14-183-4-3  |             |
| 8    | Shaft              | 1   | 14-180-20-1 |             | 14-180-6-3  |             |
| 9    | Locknut            | 1   | 1202.7-5/8E |             | 1202.7-7/8E |             |
| 10   | Bearing Cap        | 1   | 14-119-4-1  |             | 14-119-5-1  |             |
| 11   | Shaft Assembly     | 1   | 14-208-5-1  |             | 14-208-5-5  |             |
| 12   | X-Braces           | 2   | 14-115-6-4  |             | 14-115-6-5  |             |
| 13   | Motor Bracket      | 1   | 14-161-15-5 |             | 14-161-15-6 |             |
| 14   | Belt               | 1   | 1247.1-58   |             | 1247.1-71   |             |
| 15   | Disc Assembly      | 1   | 14-229-10-4 |             | 14-229-10-7 |             |



# NCF52 FAN PARTS LIST



| CODE | DESCRIPTION        | QTY | NCF52        |
|------|--------------------|-----|--------------|
| 1    | Fan Panel Assembly | 1   | CALL         |
| 2    | Blade Assembly     | 1   | 14-235-162-1 |
| 3    | Blades             | 6   | 14-113-83-1  |
| 4    | Struts             | 6   | 14-186-23-1  |
| 5    | Disc               | 1   | 14-132-15-1  |
| 6    | Bearings           | 2   | 12-31-5-2    |
| 7    | Spacer             | 1   | 14-183-4-3   |
| 8    | Shaft              | 1   | 14-180-6-3   |
| 9    | Locknut            | 1   | 1202.7-7/8E  |
| 10   | Bearing Cap        | 1   | 14-119-5-1   |
| 11   | Bearing Protector  | 1   | 12-174-62-3  |
| 12   | Shaft Assembly     | 1   | 14-208-5-5   |
| 13   | X-Braces           | 2   | 14-115-6-5   |
| 14   | Motor Bracket      | 1   | 14-161-15-6  |
| 15   | Belt               | 1   | 1247.1-73    |
| 16   | Disc Assembly      | 1   | 14-229-10-7  |
| 17   | Shim               | 1   | 14-160-103-1 |