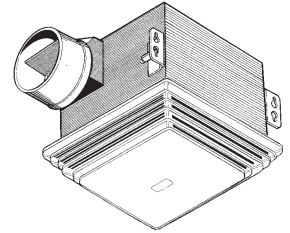




## SPECIFICATION SHEET

# CEILING FAN

## MODEL CF684A1151 (80 CFM)



**Dependable, high performance bathroom ventilation.**

### FEATURES

#### GRILLE:

- Attractive grille conceals interior
- Matte white polymeric – blends well with any decor
- Torsion spring grille mounting – no tools required

#### MOTOR:

- Plug-in, permanently lubricated
- Centrifugal blower wheel

#### HOUSING:

- Rugged steel housing finished with electrically-bonded epoxy paint
- Sturdy key-holed mounting brackets for quick, accurate installation
- Tapered, polymeric duct fitting for easy, positive duct connection and no metallic clatter

U.L. Listed for use in tub/shower enclosure with GFCI branch wiring.

### TYPICAL SPECIFICATION

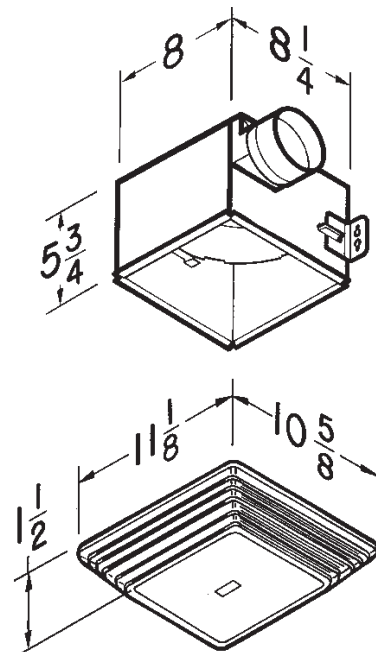
Ventilator shall be Model CF684A1151.

Unit shall have steel housing with dual integral mounting brackets. It shall be ducted to a roof or wall cap.

Motor assembly shall have a centrifugal blower wheel, be removable and permanently lubricated.

Air delivery shall be no less and sound level no greater than listed. All air and sound ratings shall be certified by AMCA.

Unit shall be U.L. Listed.



"American Coolair Corp. / ILG Industry" certifies that the models shown herein are licensed to bear the AMCA Seal. The ratings shown are based on tests and procedures performed in accordance with AMCA Publication 211 (and AMCA Publication 311 if sound is also certified) and comply with the requirements of the AMCA Certified Ratings Program"



UL listed for use over bathtubs and showers when connected to a GFCI-protected branch circuit.

# PERFORMANCE RATINGS – CEILING FAN CF684A1151

## AMCA LICENSED PERFORMANCE

Model No.		CFM/SONES @ Static Pressure (Ps – Inches of H <sub>2</sub> O)					Volts	Watts	Nominal RPM	Duct Size
		0.0	0.1	.125	.250	.375				
CF684A1151	CFM	89	89	87	77	59	120	48	1280	4" Round
	Sones	2.7	3.2	3.3	3.6	3.9				

Performance ratings include the effects of inlet grille and backdraft damper in the airstream. Speed (RPM) shown is nominal. Performance is based on actual speed of test. The sound ratings are loudness values in fan sones at 5' (1.5m) in a hemispherical free field calculated per AMCA Std. 301. Values shown are for Installation Type B: free inlet fan sone levels. Performance shown is for Installation Type B: Free inlet, Ducted outlet.

## WEIGHT

MODEL NO.	SHIPPING WT.
CF684A1151	8.0 lbs.



AMERICAN COOLAIR CORP. / ILG INDUSTRY  
3604 MAYFLOWER ST.  
JACKSONVILLE, FLORIDA 32205  
TEL: 904-389-3646



"American Coolair Corp. / ILG Industry" certifies that the models shown herein are licensed to bear the AMCA Seal. The ratings shown are based on tests and procedures performed in accordance with AMCA Publication 211 (and AMCA Publication 311 if sound is also certified) and comply with the requirements of the AMCA Certified Ratings Program"



UL listed for use over bathtubs and showers when connected to a GFCI-protected branch circuit.