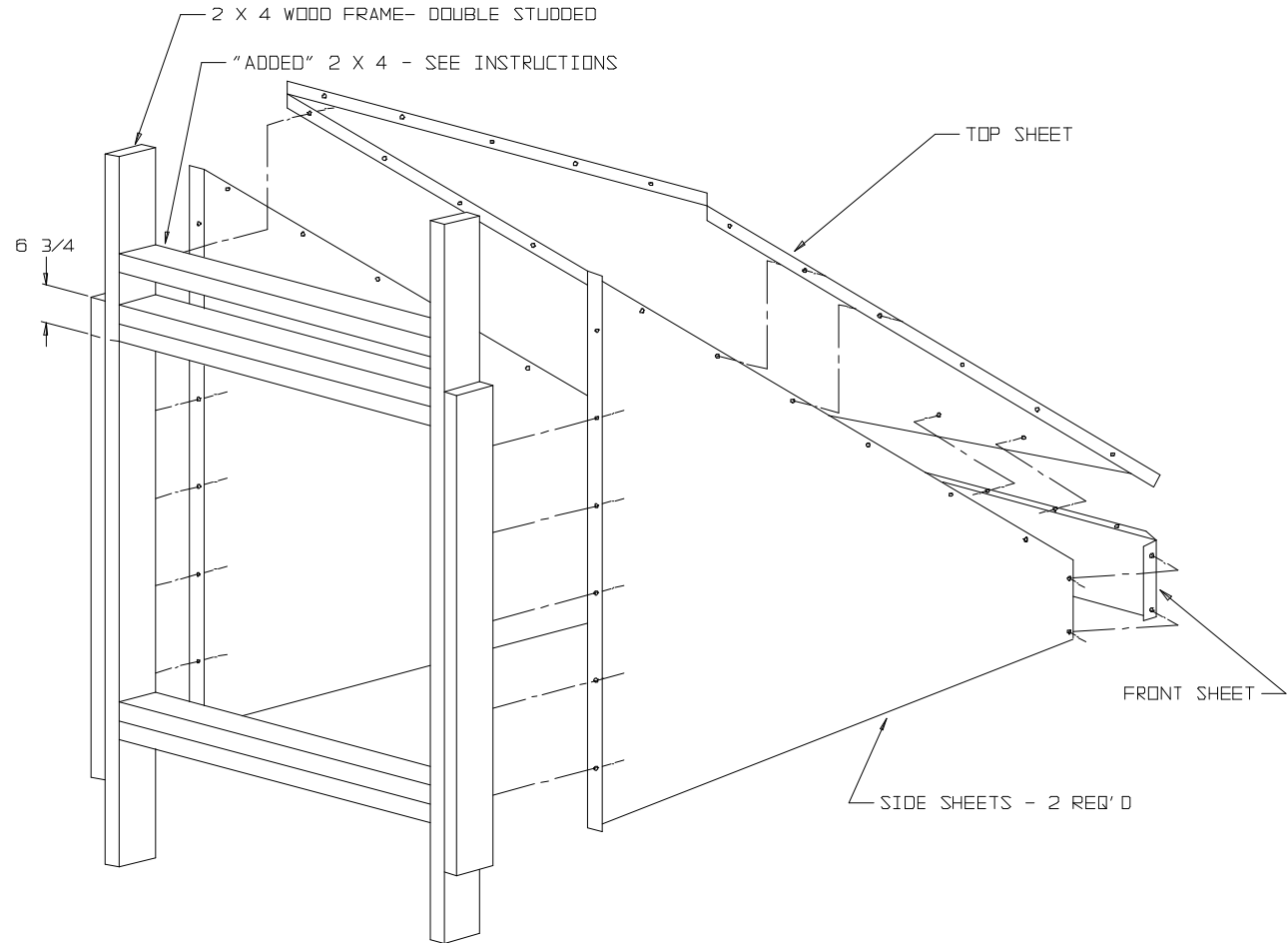


ASSEMBLY

THE WEATHER HOOD CONSISTS OF 4 PIECES - 1 TOP, 1 FRONT AND 2 SIDES - AND THE NECESSARY HARDWARE FOR ASSEMBLY, PUT THE HOOD TOGETHER USING 1/4" BOLTS AND PALNUTS. NOTE THAT THE FLANGES OF THE TOP SHEET GO ON THE OUTSIDE OF THE SIDE SHEET. DO NOT TIGHTEN ANY PALNUTS UNTIL ALL BOLTS ARE IN PLACE, OTHERWISE IT MAY BE DIFFICULT TO ALIGN SOME BOLT HOLES.

INSTALLATION

BEFORE MOUNTING THE WEATHER HOOD, IT WILL BE NECESSARY TO ADD A 2 X 4 ABOVE THE FRAMED-IN OPENING, THIS 2 X 4 SHOULD BE SPACED AS SHOWN, 6 3/4" ABOVE THE TOP INSIDE OF THE FRAMED-IN OPENING. NEXT, PLACE WEATHER HOOD ON WALL AND CENTER IT LEFT TO RIGHT OVER SHUTTER (OR OPENING). NOTE THAT THE TURNED UP FLANGE OF THE TOP SHEET MOUNTS TO THE "ADDED" 2 X 4. SECURE WEATHER HOOD IN PLACE USING THE WOOD SCREWS SUPPLIED.



1	REVISED	SN	5-22-03
NO.	REVISION	BY	DATE
MATERIAL		DO NOT SCALE THIS DRAWING	

AMERICAN COOLAIR CORPORATION
Jacksonville, Florida

DESCRIPTION
INSTALLATIONS INSTRUCTIONS
FOR WEATHER HOOD FOR
PTF 12-18-24-30 FANS

DR. SN	CK. _____	APP'D. _____
SCALE NTS	DWG. NO. 401-87	
DATE 5-22-03	SHEET 1 OF 1	