



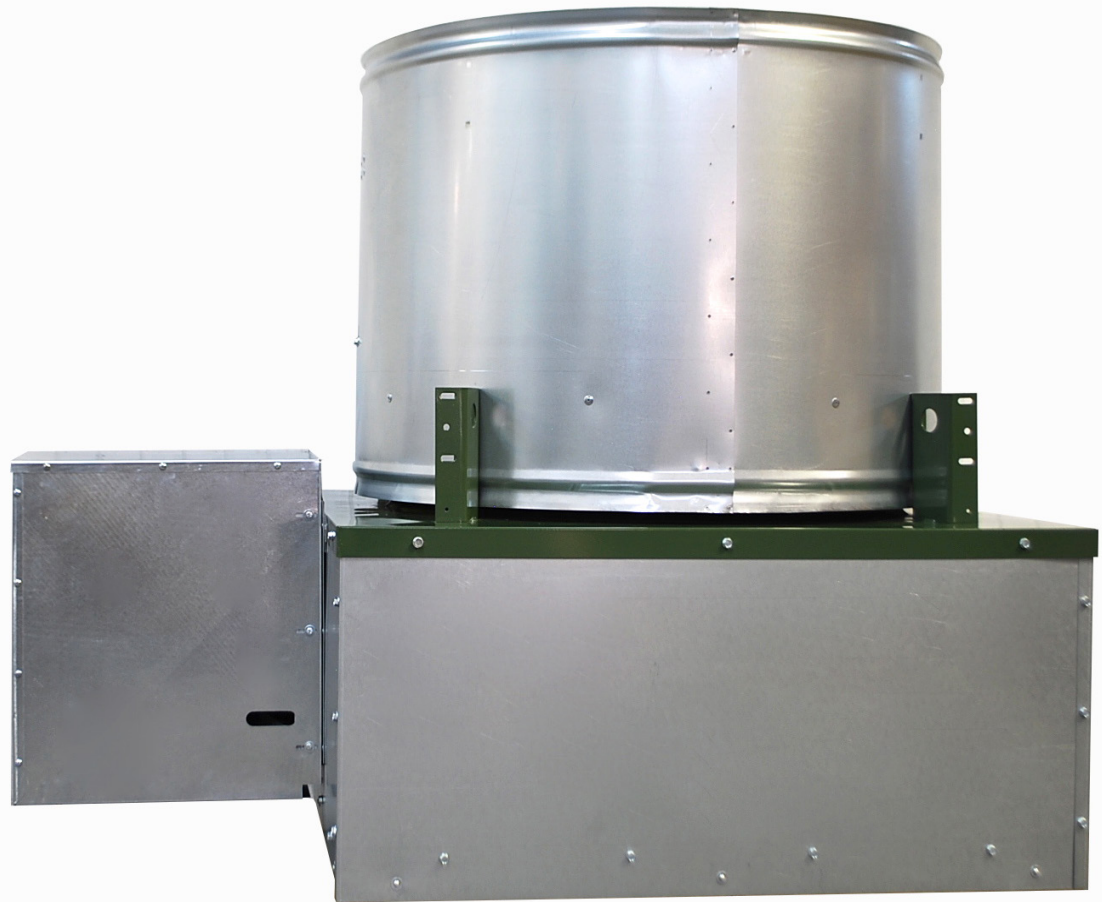
Introducing American Coolair's Newest Product Offering

JBC MOTOR-OUTSIDE KIT

JBC BELT DRIVEN POWER ROOF VENTILATOR
EQUIPPED WITH THE ALL-NEW MOTOR-OUTSIDE KIT

JBC Standard Features

- ▶ Specifically engineered cast aluminum adjustable pitch airfoil blade and hub for maximum efficiency and strength
- ▶ Oversized, re-greasable cast iron pillow block bearings with eccentric locking collars extend fan life significantly
- ▶ Variable pitch drive pulleys
- ▶ Rugged welded fan panel, angle frame, and support structure
- ▶ Powder coated epoxy fan panel



Motor-Outside Kit Advantages

- ▶ Remote mount kit provides streamlined access for servicing of belts, pulleys and motor
- ▶ Motor is mounted onto the easily adjustable swivel motor bracket which features simple tension bolts for field adjustments
- ▶ Weather-tight motor cover protects the motor and other components from rain and elements
- ▶ Shroud support doubles as a rigid and reliable lifting point for installation
- ▶ Optional belt/bearing tube protects the components from heat or chemicals in the airstream
- ▶ Optional extended lubrication lines for bearings are available
- ▶ Unit ships fully assembled and ready to hoist onto the curb

JBC-MO Kit Overview

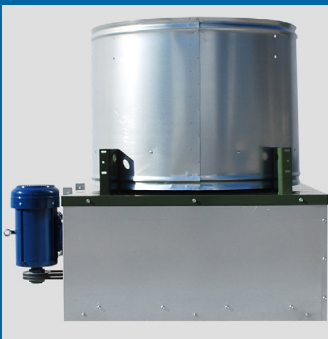
JBC low profile upblast power roof ventilators are noted for their proven reliability and efficient operation in commercial and industrial applications. The all-new Motor Outside Kit transforms the JBC upblast power roof ventilator into a more versatile and practical roof-mount unit than ever before. Mounting the motor outside of the airstream allows ultimate ease of access for simple maintenance, while the addition of a belt/bearing tube protects key components in various hazardous environments.

Available in sizes **24" - 60"** to meet most roof ventilation needs.

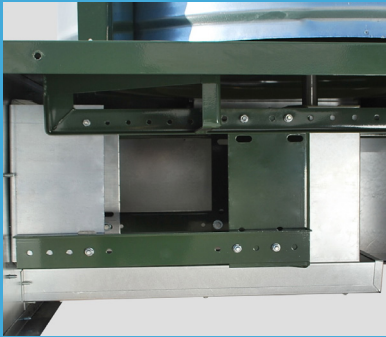
JBC-MO Kit Chief Components



Motor is mounted onto the easily **adjustable swivel motor bracket** which features **simple tension bolts** for necessary field adjustments



Heavy-Duty galvanized **J-Shroud** shields the **translucent fiberglass damper doors** from wind & rain

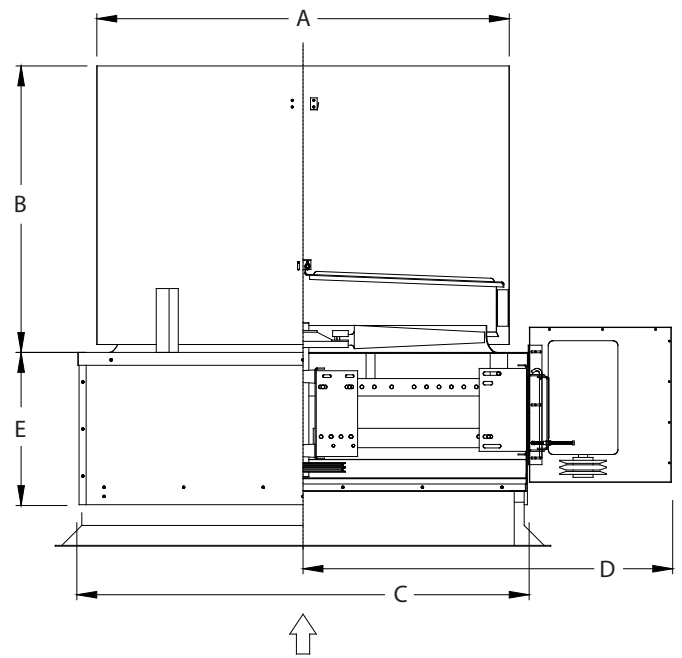


Optional **Belt/Bearing tube** protects key components in various hazardous environments



Bearing cover removed to show the **turned, ground and polished turning shaft**. Blade assembly and translucent fiberglass damper doors also shown. Extended lubrication lines for bearings are available.

JBC-MO Kit Drawing and Dimensions



Fan Size	Dimensions in Inches				
	A	B	C	D	E
24	32	28 3/4	37 1/2	37	24
30	38	33 5/8	43 1/2	40	24
36	44	33 5/8	49 1/2	43	24
42	50	38 1/2	55 1/2	46	24
48	56	38 1/2	61 1/2	49	24
54	62	43 7/8	67 1/2	52	24
60	68	46 7/8	76 1/2	56	24

Dimension A is the diameter of the circular wind shroud.
 Dimension B is the overall height above the curb.
 Dimension C is the I.D. of the curb cap flange.
 Dimension D is the distance to the top of the motor cover.
 Dimension E is the overall height of the base.



P.O. Box 2300 | Jacksonville, FL 32203

Ph 904-389-3646

Fax 904-387-3449 | 904-381-7560

www.americancoolair.com

/AmericanCoolair

/AmericanCoolair

/Company/American-Coolair-Corp

Quality Ventilation Products for More than 85 Years.

Member AMCA