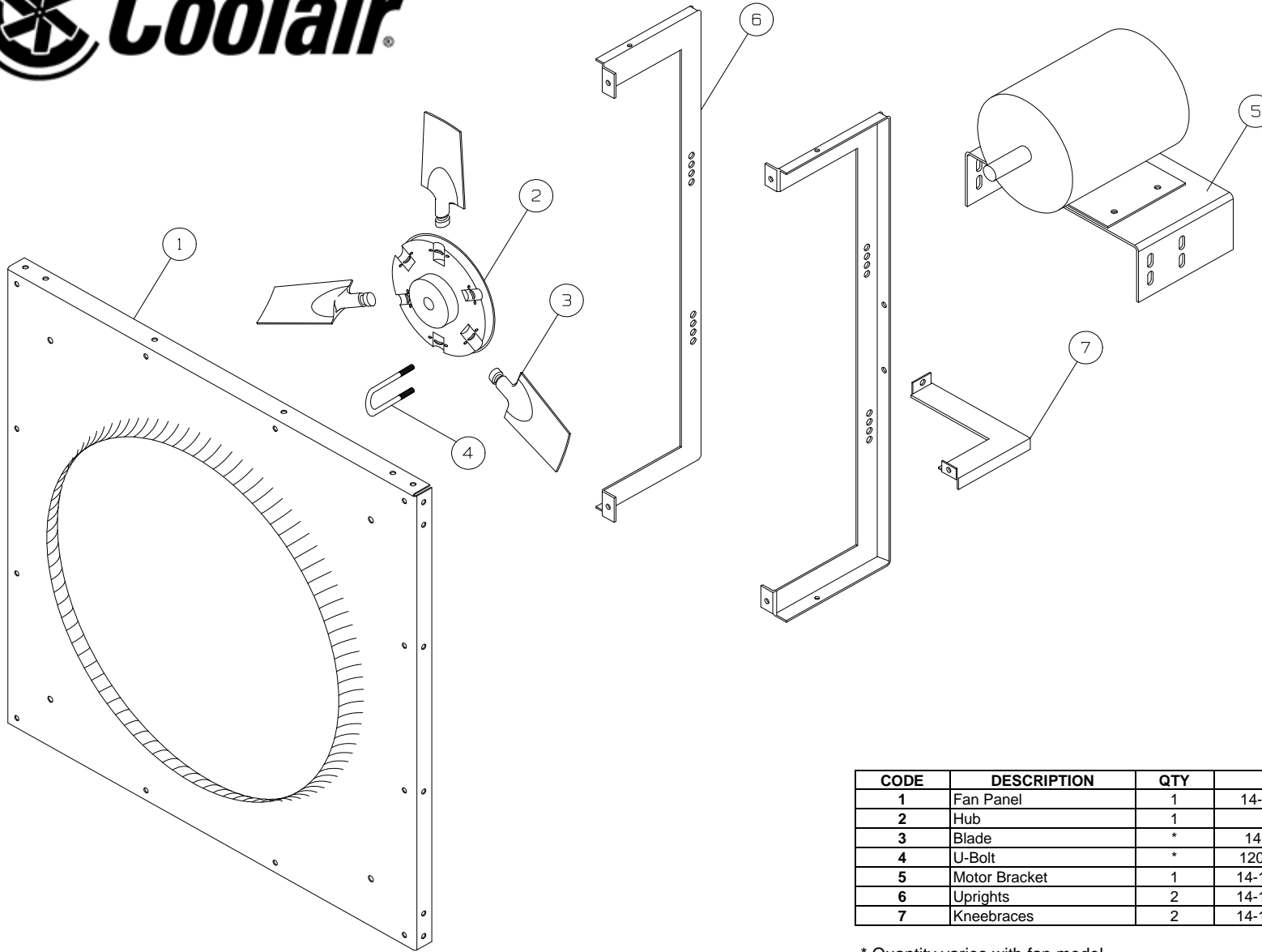




# CDC 18 Fan Parts List

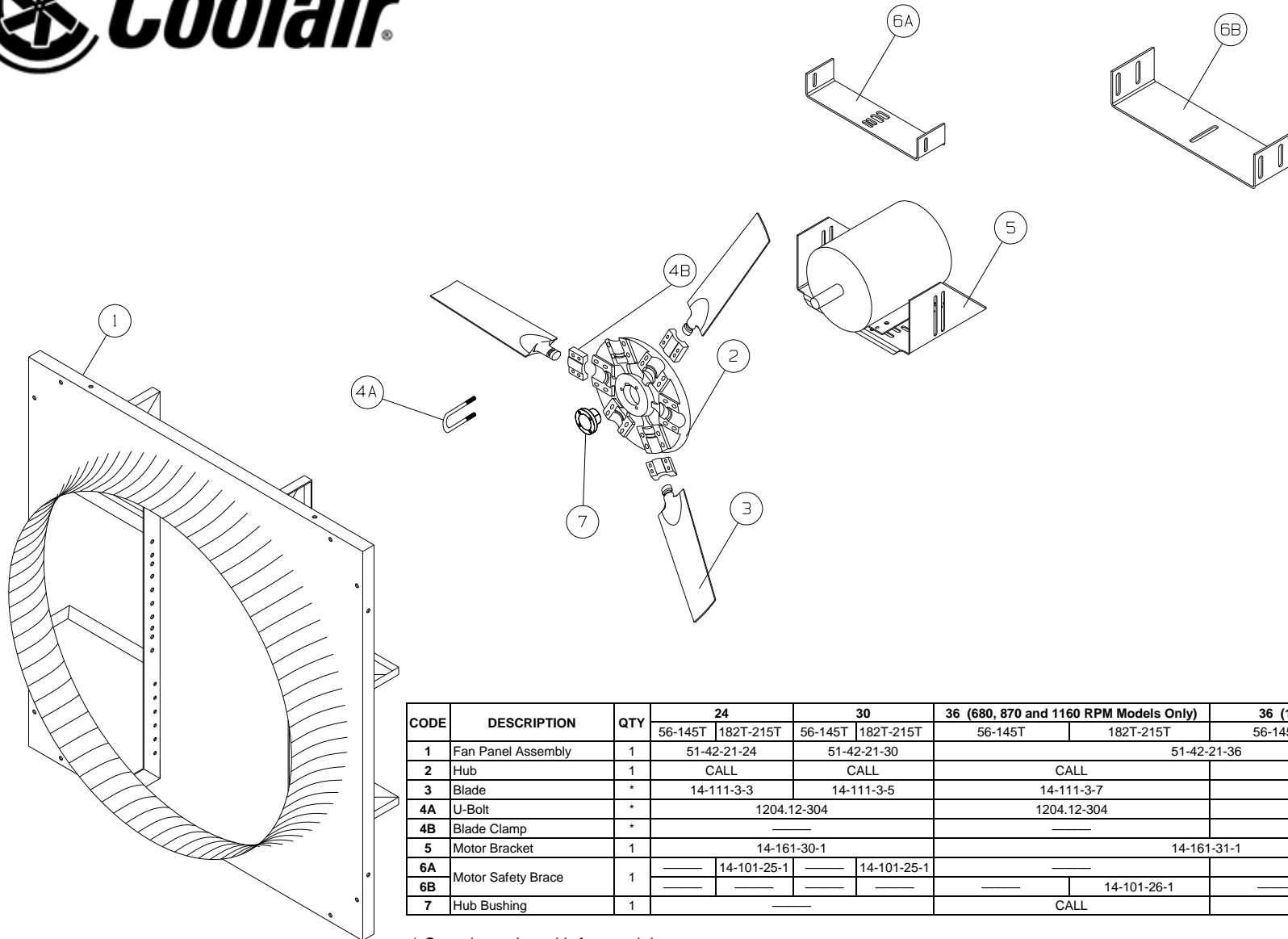


CODE	DESCRIPTION	QTY	18
1	Fan Panel	1	14-169-81-4
2	Hub	1	CALL
3	Blade	*	14-111-3-2
4	U-Bolt	*	1204.12-304
5	Motor Bracket	1	14-161-213-2
6	Uprights	2	14-193-111-3
7	Kneebraces	2	14-115-168-1

\* Quantity varies with fan model



# CDC 24-36 Fan Parts List

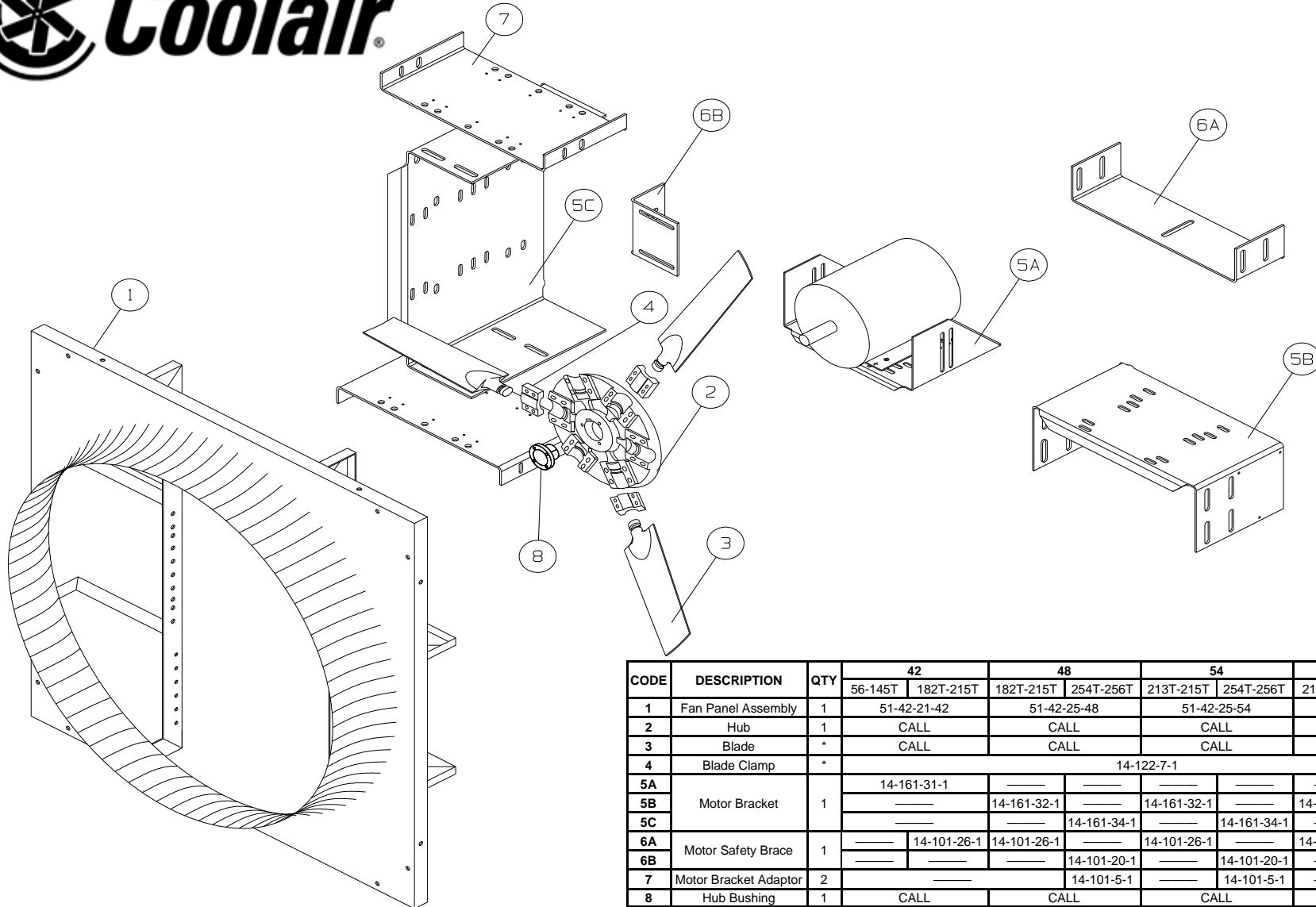


CODE	DESCRIPTION	QTY	24		30		36 (680, 870 and 1160 RPM Models Only)		36 (1750 RPM Models Only)	
			56-145T	182T-215T	56-145T	182T-215T	56-145T	182T-215T	56-145T	182T-215T
1	Fan Panel Assembly	1	51-42-21-24	51-42-21-30	51-42-21-36					
2	Hub	1	CALL		CALL		CALL			
3	Blade	*	14-111-3-3	14-111-3-5	14-111-3-7		14-211-6-9			
4A	U-Bolt	*	1204.12-304		1204.12-304					
4B	Blade Clamp	*					14-122-7-1			
5	Motor Bracket	1	14-161-30-1		14-161-31-1					
6A	Motor Safety Brace	1	14-101-25-1	14-101-25-1						
6B						14-101-26-1		14-101-26-1		
7	Hub Bushing	1			CALL		CALL			

\* Quantity varies with fan model



# CDC 42-60 Fan Parts List



CODE	DESCRIPTION	QTY	42		48		54		60		
			56-145T	182T-215T	182T-215T	254T-256T	213T-215T	254T-256T	213T-215T	254T-256T	
1	Fan Panel Assembly	1	51-42-21-42		51-42-25-48		51-42-25-54		51-42-25-60		
2	Hub	1	CALL		CALL		CALL		CALL		
3	Blade	*	CALL		CALL		CALL		CALL		
4	Blade Clamp	*	14-122-7-1								
5A	Motor Bracket	1	14-161-31-1		—	—	—	—	—	—	
5B			—	14-161-32-1	—	14-161-32-1	—	14-161-32-1	—		
5C			—	—	14-161-34-1	—	14-161-34-1	—	14-161-34-1		
6A	Motor Safety Brace	1	—	14-101-26-1	14-101-26-1	—	14-101-26-1	—	14-101-26-1	—	
6B			—	—	—	14-101-20-1	—	14-101-20-1	—	14-101-20-1	
7	Motor Bracket Adaptor	2	—		—	14-101-5-1	—	14-101-5-1	—	14-101-5-1	
8	Hub Bushing	1	CALL		CALL		CALL		CALL		

\* Quantity varies with fan model