

Type CDC

Direct Drive Propeller Fan



P.O. Box 2300 Jacksonville, Florida 32203
 Phone: (904) 389-3646
 Fax: (904) 387-3449 • (904) 381-7560
 E-mail: info@coolair.com
 Website: coolair.com

Abbreviations for Accessories

- S – Type S (Type SU for CDC18) automatic wall shutter
- SE – Type S (Type SU for CDC18) motorized wall shutter (specify voltage)
- SGF – Front safety guard
- SGM – Motorside safety guard
- MH – Metal housing
- MHG – Metal housing guard
- EPX – 6 mil epoxy finish
- HDG – Hot dip galvanizing
- IH – Intake hood
- DH – Discharge hood

Standard Fan Features

- Welded steel construction
- Rugged angle frame
- Low maintenance—no fan bearings or belts
- Three, four, six, or eight adjustable pitch cast aluminum airfoil blades
- Shipped completely assembled
- UL Listed for Standard 705 (most models)

Dimensions

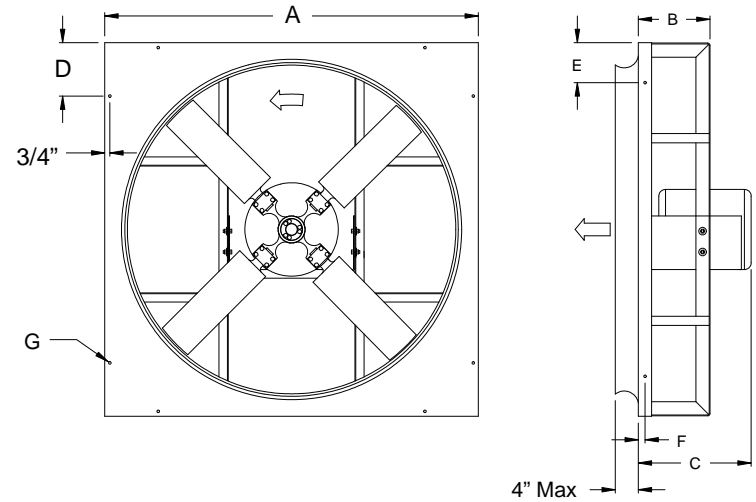
Dimension A is the O.D. of the square fan panel.

Dimension B is the depth from the face of the fan panel to the back of the fan frame.

Dimension C is the maximum with a constant speed, 3-phase TEFC motor of maximum horsepower* for fan size and style indicated. This dimension will vary with the type and HP of the motor actually selected.

Dimension G is the diameter of the installation holes.

Sheet _____ of _____



Fan Size	Dimensions in Inches						
	A	B	C	D	E	F	G
18	26	5 5/8	13 3/8	11/16	11/16	9/16	5/16
24	32	5 1/8	12 3/8	6	5	7/8	3/8
30	38	5 1/8	13 3/4	6	5	7/8	3/8
36	44	5 1/8	15 1/4	7	5	7/8	3/8
42	50	5 1/8	15 1/4	7	4	7/8	3/8
48	56	6 5/8	19 3/8	8	6	1	3/8
54	62	6 5/8 *	19 3/4 *	8	6	15/16	3/8
60	68	6 5/8 *	19 3/4 *	11	9	1	1/2

* — For CDC54 & 60 fans equipped with a 15 HP motor, 'B' is 11 3/4" and 'C' is 24 5/8".

Specifications

FAN NO.	QTY.	FAN DATA						MOTOR DATA						ACCESSORIES AND REMARKS
		MODEL NO.	CFM	SP	RPM	SONES	HP	RPM	VOLTAGE	PH	HZ	ENCLOSURE		

PROJECT _____ ENGINEER _____ SUBMITTED BY _____ DATE _____

LOCATION _____ CONTRACTOR _____ APPROVED BY _____ DATE _____