

Type PEBC

Exhaust, Belt Drive, Hooded Power Roof Ventilator



P.O. Box 2300 Jacksonville, Florida 32203
 Phone: (904) 389-3646
 Fax: (904) 387-3449 • (904) 381-7560
 E-mail: info@coolair.com
 Internet: www.coolair.com

Abbreviations for Accessories

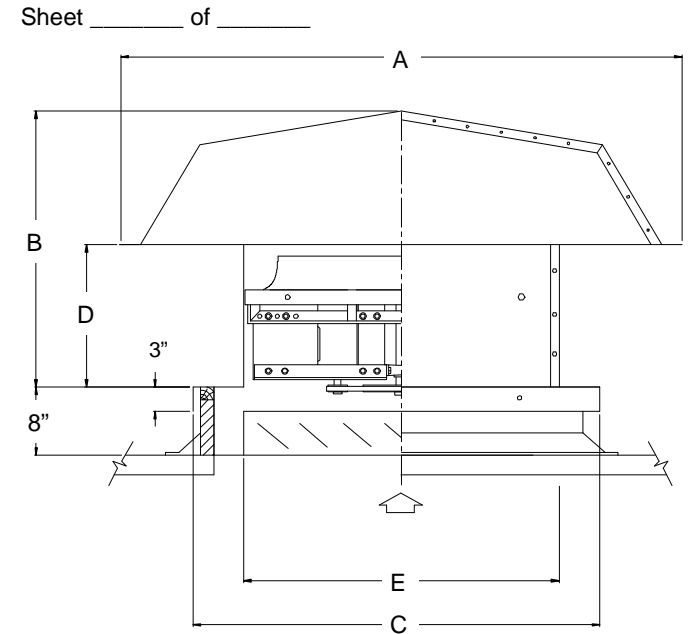
- DS – Safety disconnect switch (specify voltage)
- PFC1 – Surface mount prefabricated roof curb
- BS – Bird screen
- BDD – Automatic back draft damper
- MOD – Motorized back draft damper
- EPX – 6 mil epoxy finish
- HDG – Hot dip galvanized fan components
- CA – Cork-impregnated asphalt
- UC – Undercoating
- FG – Fiberglass insulation

Standard Fan Features

- Galvanized steel hood and base
- All-welded steel fan panel
- Adjustable pitch cast aluminum airfoil blades
- Heavy duty pillow block ball bearings
- Variable pitch pulleys (most models)
- Access panel
- UL Listed for Standard 705 (most models)

Dimensions

Dimension A is the O.D. of the square hood.
 Dimension B is the overall height above the curb.
 Dimension C is the I.D. of the curb cap flange.
 Dimension D is the distance from the curb to the hood.
 Dimension E is the damper net length and width, flanges add 1-11/16 inches on all sides.



Dimensions in Inches					
Fan Size	A	B	C	D	E
24	67	38 1/4	38	20 3/4	28 3/8
30	78	40	44	20 3/4	34 3/8
36	88	41	50	20 3/4	40 3/8
42	98	46 1/2	56	20 3/4	46 3/8
48	109	55 3/8	62	23 5/8	52 3/8
54	118	58 5/8	68	23 5/8	58 3/8
60	118	58 5/8	77	23 5/8	64 3/8
72	127 7/8	54	89	33 5/8	80 3/4
84	139 1/2	62 3/4	101	33 5/8	92 3/4

Specifications

		FAN DATA						MOTOR DATA							
FAN NO.	QTY.	MODEL NO.	CFM	SP	RPM	SONES	HP	RPM	VOLTAGE	PH	HZ	ENCLOSURE	ACCESSORIES AND REMARKS		

PROJECT _____ ENGINEER _____ SUBMITTED BY _____ DATE _____
 LOCATION _____ CONTRACTOR _____ APPROVED BY _____ DATE _____