

FIGURE 2

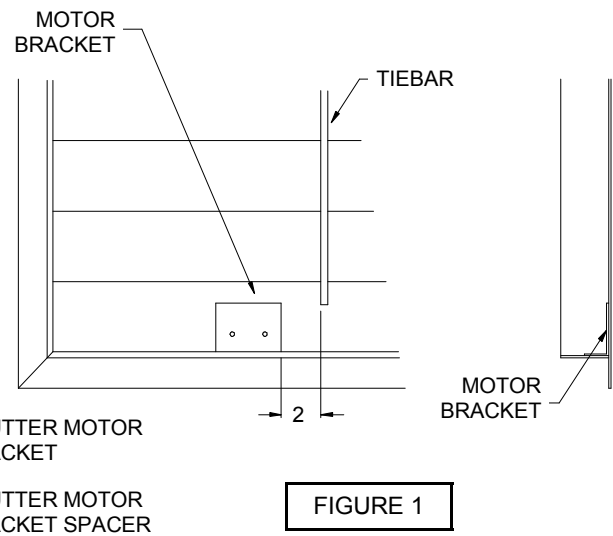


FIGURE 1

**ASSEMBLY OF SINGLE PANEL MOTORIZED SHUTTER
MODELS LRW 16, 21, 23, 27 & 33**

1. IN ORDER TO MOTORIZED THE SHUTTER, HOLES MUST BE DRILLED IN THE BOTTOM SHUTTER FRAME TO MOUNT THE SHUTTER MOTOR BRACKET. WORKING FROM THE BACK OF THE SHUTTER (TIE BAR SIDE), PLACE THE SHORT LEG OF THE BRACKET ON THE INSIDE BOTTOM EDGE OF THE SHUTTER FRAME, APPROXIMATELY 2" TO THE LEFT OF THE TIE BAR. PUSH THE MOTOR BRACKET TO THE REAR OF THE SHUTTER SO THAT THE BOTTOM SHUTTER BLADE, WHEN OPEN, DOES NOT CONTACT THE BRACKET. USING THE MOTOR BRACKET AS A TEMPLATE, MATCH, MARK AND DRILL TWO (2) 3/16" DIAMETER HOLES IN THE BOTTOM SHUTTER FRAME. SEE FIGURE 1.
2. VERIFY THAT THE CRANK ARM IS MOUNTED ON THE MOTOR AS SHOWN IN FIGURE 2. IF NOT, THEN TURN CRANK ARM OVER TO MATCH FIGURE 2.
3. PLACE SHUTTER MOTOR BRACKET SPACER IN THE NOTCH ON THE INSIDE BOTTOM OF THE SHUTTER FRAME. MOUNT THE MOTOR BRACKET, WITH THE MOTOR ATTACHED, TO THE SHUTTER BY BOLTING THROUGH THE SHUTTER MOTOR BRACKET, THE SHUTTER MOTOR BRACKET SPACER AND THE DRILLED HOLES IN THE SHUTTER FRAME USING THE TWO (2) #10 BOLTS, LOCK WASHERS AND HEX NUTS SUPPLIED.
4. PLACE A SMALL S-HOOK IN THE HOLE IN THE TIE BAR APPROXIMATELY HALFWAY UP THE TIE BAR. MOVE THE CRANK ARM TO THE "UP" POSITION, AS IN FIGURE 3. WITH THE SHUTTER BLADES IN THE CLOSED POSITION, CUT THE CHAIN LINKAGE TO THE CORRECT LENGTH AND ATTACH IT TO THE S-HOOK IN THE TIE BAR. DISCARD EXTRA CHAIN LINKAGE AND S-HOOKS.
5. TO MOUNT THE RETURN SPRING, DRILL A 1/8" DIAMETER HOLE APPROXIMATELY 1" TO THE RIGHT OF THE TIE BAR IN THE FLAT EDGE OF THE UPPER FRAME. CONNECT A SMALL S-HOOK TO THE END OF THE RETURN SPRING. ATTACH THIS HOOK TO THE DRILLED HOLE IN THE FRAME AND THEN CONNECT THE WIRE END OF THE RETURN SPRING TO AN UPPER HOLE IN THE TIE BAR. ADJUST THE TENSION OF THE SPRING TO HOLD THE SHUTTER BLADES CLOSED. THE SPRINGS SHOULD HAVE ONLY ENOUGH TENSION TO KEEP THE SHUTTER CLOSED.
6. CHECK VOLTAGE AND PHASE ON NAMEPLATE OF SHUTTER MOTOR. CONNECT WIRING AND TEST SHUTTER OPERATION.

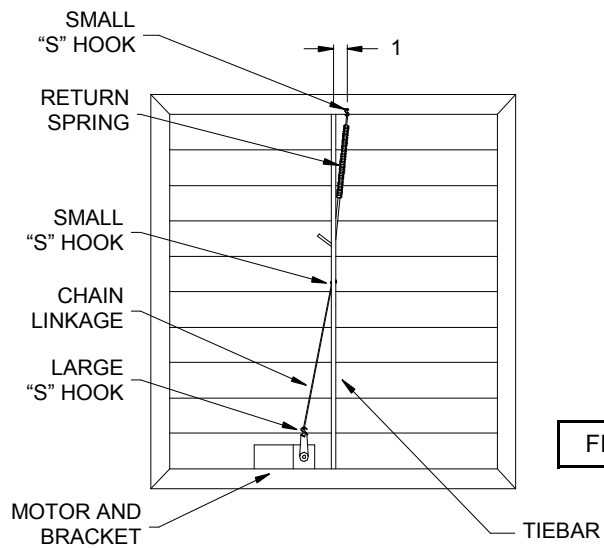


FIGURE 3

1	REVISED AND REDRAWN	DEG	6-05-13
NO.	REVISION	BY	DATE
MATERIAL		DO NOT SCALE THIS DRAWING	



**DESCRIPTION ASSEMBLY INSTRUCTIONS
FOR MOTORIZED OPERATION OF LRW
16, 21, 23, 27 & 33 SHUTTERS**

DR. DEG	CK. _____	APP'D. _____
SCALE NTS	DWG. NO. 401-130	
DATE 06-05-13	SHEET 1 OF 1	