

CAUTION: DO NOT OVERTIGHTEN BELT.  
PREMATURE BEARING FAILURE COULD RESULT.

### AUTO BELT TIGHTENER KIT ASSEMBLY INSTRUCTIONS

FOR USE WITH FAN IN SLOPE WALL HOUSING

- 1) BEFORE BEGINNING ASSEMBLY OF THE AUTO BELT TIGHTENER (ABT) KIT, VERIFY THAT ALL THE COMPONENTS ARE PRESENT. EACH ABT KIT SHOULD CONSIST OF A MOTOR PLATE, A MOTOR PLATE SUPPORT AND A BAG OF HARDWARE. ALL HOLES FOR ASSEMBLY ARE PRE-PUNCHED AND ALL NECESSARY HARDWARE SUPPLIED.
- 2) WHEN USING A FAN WITH THE ABT AND THE SLOPE WALL HOUSING, THE MOTOR MUST BE LOCATED AT THE TOP OF THE FAN. SEE FIGURE 2. REMOVE THE STANDARD MOTOR BRACKET FROM THE FAN AND MOUNT THE ABT MOTOR PLATE SUPPORT ON THE STANDARD MOTOR BRACKET USING THE 5/16" BOLTS, NUTS, FLATWASHERS AND LOCKWASHERS SUPPLIED. SEE FIGURE 1. NEXT, BOLT THE MOTOR TO THE ABT MOTOR PLATE USING THE 5/16" BOLTS, NUTS, FLATWASHERS AND LOCKWASHERS THAT WERE SUPPLIED WITH THE FAN. MAKE SURE THE MOTOR SHAFT IS FACING TOWARD THE FAN BLADE ASSEMBLY. SEE FIGURE 2.
- 3) INSERT THE SWIVEL PIN THROUGH THE MOTOR PLATE SUPPORT AND THE ABT MOTOR PLATE. PLACE THE HAIR PIN COTTER PIN THRU THE HOLE IN THE SWIVEL PIN INSIDE THE ABT MOTOR PLATE SUPPORT AS SHOWN IN FIGURE 1.
- 4) NOW, PLACE THE SPRING BETWEEN THE ABT MOTOR PLATE AND THE STANDARD MOTOR BRACKET AND PUT THE 7 INCH LONG 3/8" BOLT, WITH A 3/8" FLATWASHER, THROUGH THE ABT MOTOR PLATE, THE SPRING AND THE STANDARD MOTOR BRACKET AS SHOWN IN FIGURE 1. FASTEN IN PLACE USING THE 3/8" FLATWASHER AND 3/8" NYLON INSERT LOCKNUT. COMPRESS THE SPRING BETWEEN THE ABT MOTOR PLATE AND THE STANDARD MOTOR BRACKET BY TIGHTENING THE 3/8" NYLON INSERT LOCKNUT 16 TURNS (1 INCH).
- 5) ATTACH THE STANDARD MOTOR BRACKET WITH THE ABT AT THE TOP OF THE FAN USING THE TWO LOWEST ADJACENT MOTOR BRACKET MOUNTING HOLES IN EACH UPRIGHT. PUT THE FAN BELT ON THE MOTOR PULLEY AND SLIDE THE MOTOR BRACKET PACKAGE UP UNTIL THE BELT IS SNUG ON THE MOTOR PULLEY. TIGHTEN THE STANDARD MOTOR BRACKET TO THE UPRIGHTS AND TENSION THE FAN BELT BY LOOSENING THE 3/8" NYLON INSERT LOCKNUT THE SAME 16 TURNS (1 INCH).
- 6) CHECK THE BLADE ASSEMBLY TO INSURE FREE ROTATION, AND THE MOTOR PULLEY ALIGNMENT WITH THE FAN PULLEY BEFORE CONNECTING POWER TO THE FAN.

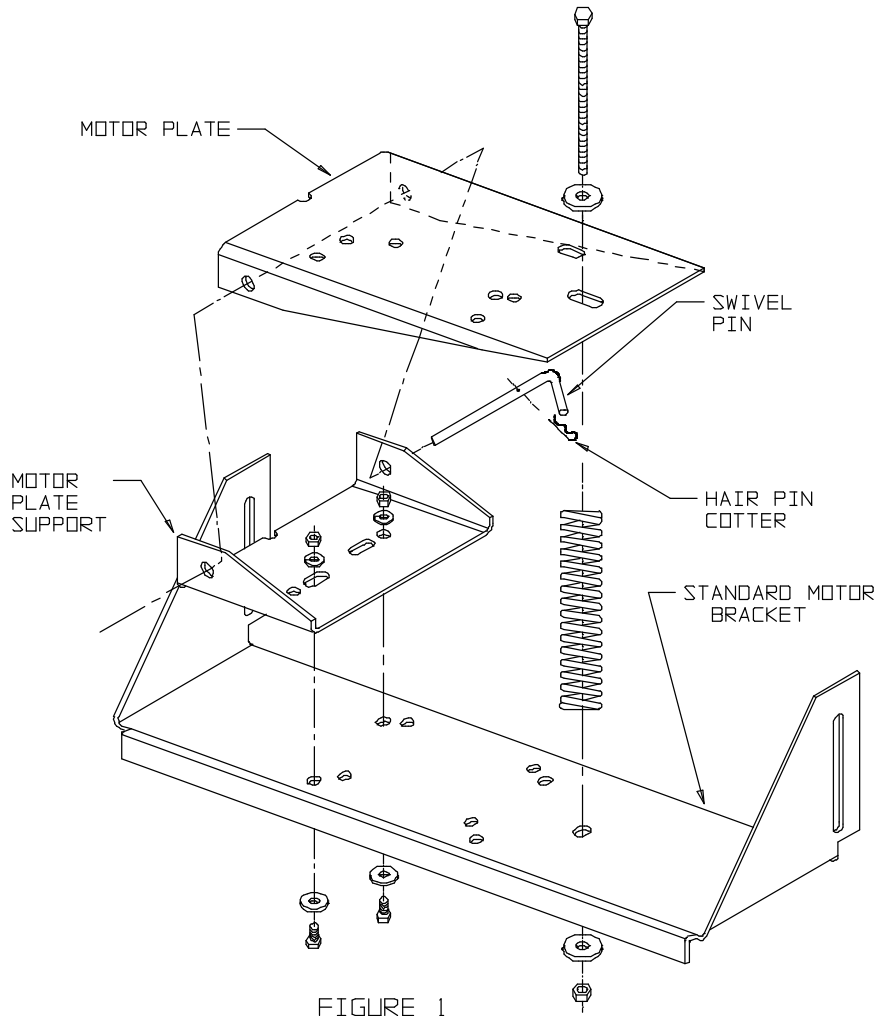


FIGURE 1

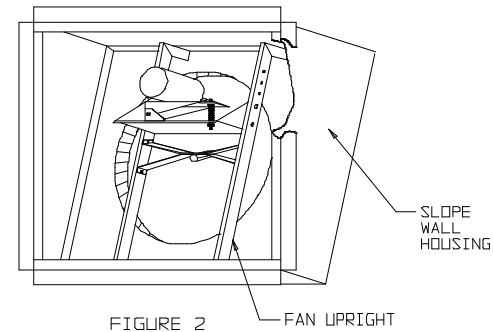


FIGURE 2

1	REVISED AND REDRAWN	DEG	6-24-08
NO.	REVISION	BY	DATE
MATERIAL		DO NOT SCALE THIS DRAWING	



DESCRIPTION AUTO BELT TIGHTENER  
KIT ASSEMBLY INSTRUCTIONS  
FOR FAN IN SLOPE WALL HOUSING

DR. DEG	CK.	APP'D.
SCALE NTS	DWG. NO. 401-169	
DATE 6-24-08	SHEET 1 OF 1	