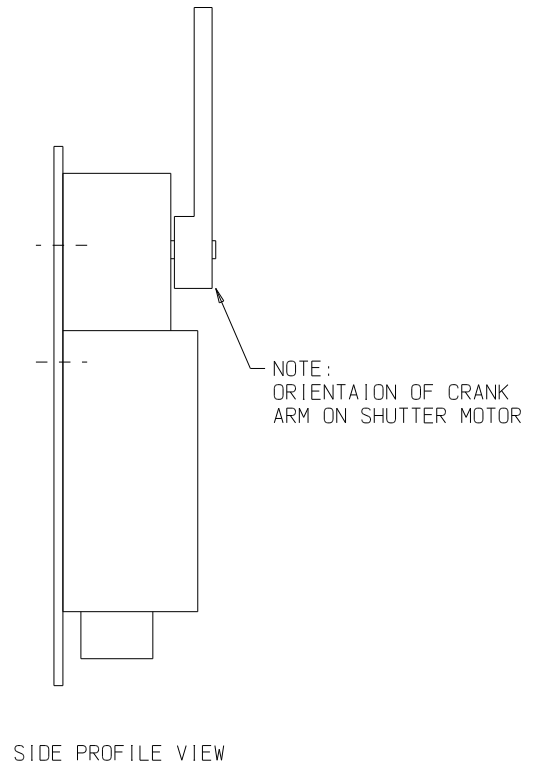
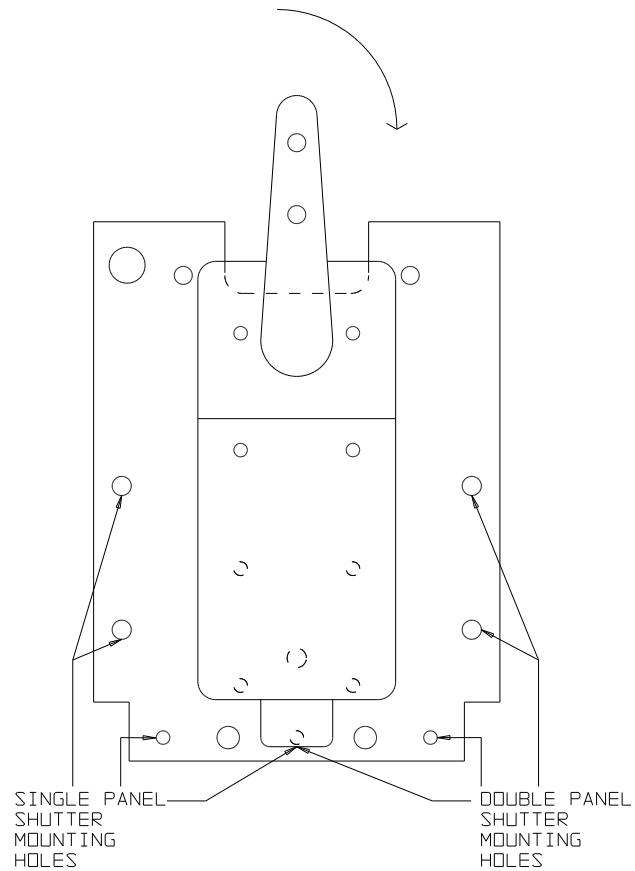


APPLIES TO:

ALL SINGLE AND DOUBLE PANEL S-SHUTTERS
SIZES 24 - 60

&

ALL SINGLE AND DOUBLE PANEL LRW SHUTTERS
SIZES 16 - 66



SIDE PROFILE VIEW

3	ADD SIDE VIEW	PCW	2-6-23
2	REVISED AND REDRAWN	PCW	4-6-22
1	REVISED AND REDRAWN	BAC	4-23-19

NO.	REVISION	BY	DATE
MATERIAL		DO NOT SCALE THIS DRAWING	

AMERICAN
Coolair[®]
 AMERICAN COOLAIR CORPORATION
 Jacksonville, Florida

DESCRIPTION SHUTTER MOTOR MOUNTING
INSTRUCTIONS TYPE 'S' &
LRW SHUTTERS

DR. HLCIII	CK. _____	APPV' D. _____
SCALE NTS	DWG. NO. 401-180	
DATE 9-18-89	SHEET <u>1</u> OF <u>1</u>	