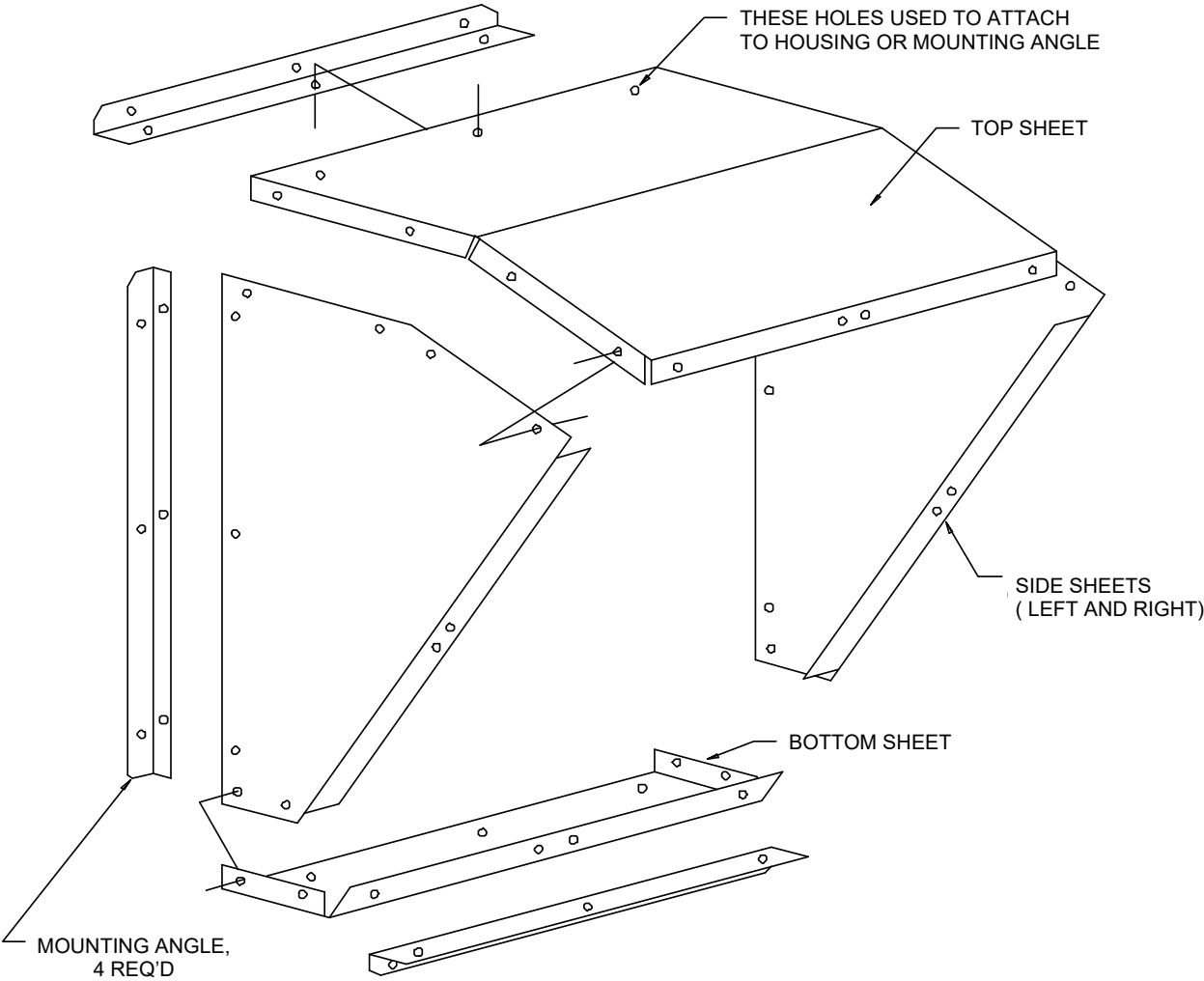


ASSEMBLY INSTRUCTIONS



The discharge hood consists of 4 pieces (1 top sheet, 2 side sheets, 1 bottom sheet). There may also be optional mounting angles. All hardware needed for assembly is provided and all holes are pre-punched. (note: do not completely tighten any hardware until all of it is in place, otherwise it may be difficult to align some of the holes.)

First, fasten the side sheets to the top sheet using 1/4" x 3/8" self-tapping screws. The side sheets go on the inside of the top sheet flanges.

Next, attach the bottom sheet to the side sheets, using 1/4" x 3/8" self-tapping screws.

If the hood is being mounted to a MB fan package or to a MH style wall housing, slide the hood over the discharge end of the housing and bolt it in place using 5/16" x 3/4" bolts and 5/16" whiz-lock flange nuts.

If the hood is being mounted to a wall, attach the optional mounting flanges to the inside of the top and side sheets using 5/16" x 3/4" bolts and 5/16" whiz-lock flange nuts.

1	Discharge was intake	JRL	8/25/20
NO.	REVISION	BY	DATE
MATERIAL		DO NOT SCALE THIS DRAWING	



DESCRIPTION	DR. SN	CK. _____	APP'D. _____
ASSEMBLY INSTRUCTIONS FOR DISCHARGE HOOD SIZES 24-60	SCALE	401-260	
	NTS	DWG. 1 NO. 1	
	DATE		
	09-08-00		