

ASSEMBLY INSTRUCTIONS

- BEFORE BEGINNING ASSEMBLY, VERIFY THAT ALL COMPONENTS ARE PRESENT. EACH SLOPE WALL COLLAR SHOULD CONSIST OF A FAN AND MOTOR, 4 WALL HOUSING SHEETS, 4 SHUTTER MOUNTING ANGLES, 2 SHUTTER MOUNTING CLIPS, A SHUTTER AND A BAG OF HARDWARE. ALL HOLES FOR ASSEMBLY OF THE UNIT ARE PRE-PUNCHED AND ALL NECESSARY HARDWARE SUPPLIED.
- SEE FORM 220-40 INCLUDED WITH THE FAN FOR ASSEMBLY AND MAINTENANCE INSTRUCTIONS OF FAN AND MOTOR. FOR THE PROPER MOUNTING OF THE MOTOR BRACKET TO THE FAN FRAME, DISREGARD FIGURE 1 ON FORM 220-40 AND INSTALL THE MOTOR BRACKET AS SHOWN IN FIGURE 3 OF THESE INSTRUCTIONS. MAKE SURE THE MOTOR IS MOUNTED ON TOP OF THE MOTOR BRACKET.
- THE SHUTTER MOUNTING ANGLES MUST BE ATTACHED TO THE WALL HOUSING SHEETS. THERE ARE 4 MOUNTING ANGLES OF WHICH TWO ARE THE SAME. IDENTIFY THE MOUNTING ANGLES PER FIGURE 2. THERE ARE 4 WALL HOUSING SHEETS -- THE TWO THAT ARE THE SAME SIZE ARE THE SIDE SHEETS. THE SMALLER RECTANGULAR SHEET IS THE BOTTOM. THE LARGER RECTANGULAR SHEET IS THE TOP. USING 1/4" NUTS AND BOLTS, FASTEN THE SHUTTER MOUNTING ANGLES TO THEIR RESPECTIVE HOUSING SHEETS SO THAT THE TURNED IN FLANGE OF THE ANGLE IS FLUSH WITH THE HOUSING MOUNTING FLANGE. SEE FIGURE 1.
- ASSEMBLE THE BOTTOM AND ONE SIDE SHEET TOGETHER USING 1/4" NUTS AND BOLTS AS SHOWN IN FIGURE 1. THEN PLACE THE FAN ON THE BOTTOM HOUSING SHEET ALIGNING THE HOLES IN THE FAN FLANGES WITH THE FAN MOUNTING HOLES IN THE WALL HOUSING SHEETS. **CAUTION:** FOR PROPER SHUTTER CLEARANCE, THE FAN MUST BE MOUNTED IN THE HOUSING WITH THE MOTOR AT THE TOP OF THE HOUSING AS SHOWN IN FIGURE 3. NOW, ASSEMBLE THE REMAINING HOUSING SHEETS AROUND THE FAN USING 1/4" NUTS AND BOLTS FOR THE HOUSING ASSEMBLY AND FOR MOUNTING THE FAN PANEL TO THE HOUSING. **NOTE: WHEN PLACING A NBF FAN IN THE HOUSING, YOU WILL USE A FLATWASHER ON BOTH THE INSIDE OF THE FAN PANEL FLANGE AND THE OUTSIDE OF THE HOUSING SHEET. WHEN PLACING A NBR, NCF, NEF OR FD FAN IN THE HOUSING, YOU WILL USE A FLATWASHER ON THE OUTSIDE OF THE HOUSING SHEET.** WHEN ASSEMBLING THE WALL HOUSING, DO NOT TIGHTEN ANY HARDWARE UNTIL ALL BOLTS ARE IN PLACE OR IT MAY BE DIFFICULT TO ALIGN SOME HOLES.
- ATTACH THE SHUTTER MOUNTING CLIPS TO THE BOTTOM SHUTTER MOUNTING ANGLE USING #10 NUTS AND ROUND HEAD BOLTS. SEE FIGURE 1. WHEN MOUNTING THE SHUTTER TO THE WALL HOUSING, SLIDE THE TOP SHUTTER FLANGE UNDER THE TOP SHUTTER MOUNTING ANGLE AND THEN SLIDE THE SHUTTER DOWN UNTIL THE BOTTOM SHUTTER FLANGE RESTS BETWEEN THE SHUTTER MOUNTING CLIP AND THE BOTTOM SHUTTER MOUNTING ANGLE. SEE FIGURE 3.
- FOR ASSEMBLY OF THE CONE AND MOUNTING THE CONE TO THE SLOPE WALL COLLAR SEE DRAWINGS 401-248, 401-249, 401-250, 401-263 OR 401-264.

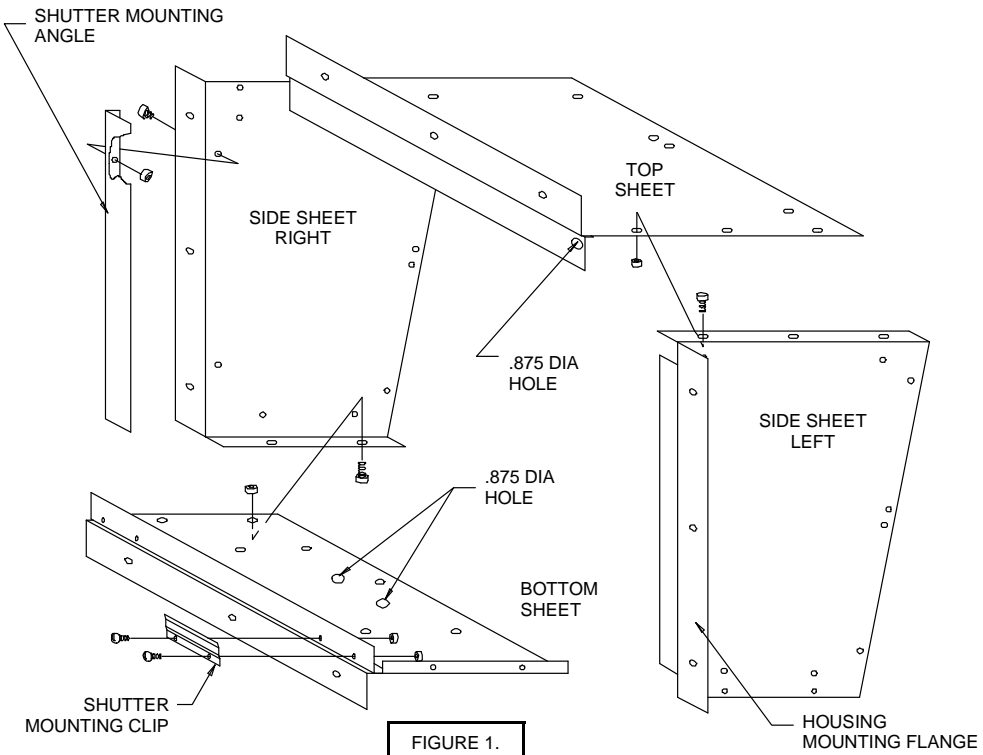


FIGURE 1.

HOUSING ASSEMBLY

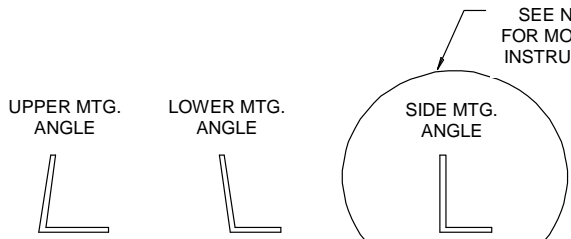


FIGURE 2.

SHUTTER MOUNTING ANGLES - END VIEW

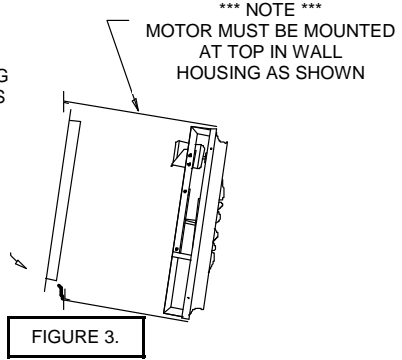


FIGURE 3.

SHUTTER MOUNTING

1	REVISED AND REDRAWN	DEG	2-16-11
NO.	REVISION	BY	DATE
MATERIAL		DO NOT SCALE THIS DRAWING	



DESCRIPTION	DR. DEG	CK. _____	APP'D. _____
ASSEMBLY INSTRUCTIONS SLOPE WALL COLLAR	SCALE NTS	DWG. NO. 401-268	
	DATE 2-16-11	SHEET 1 OF 1	