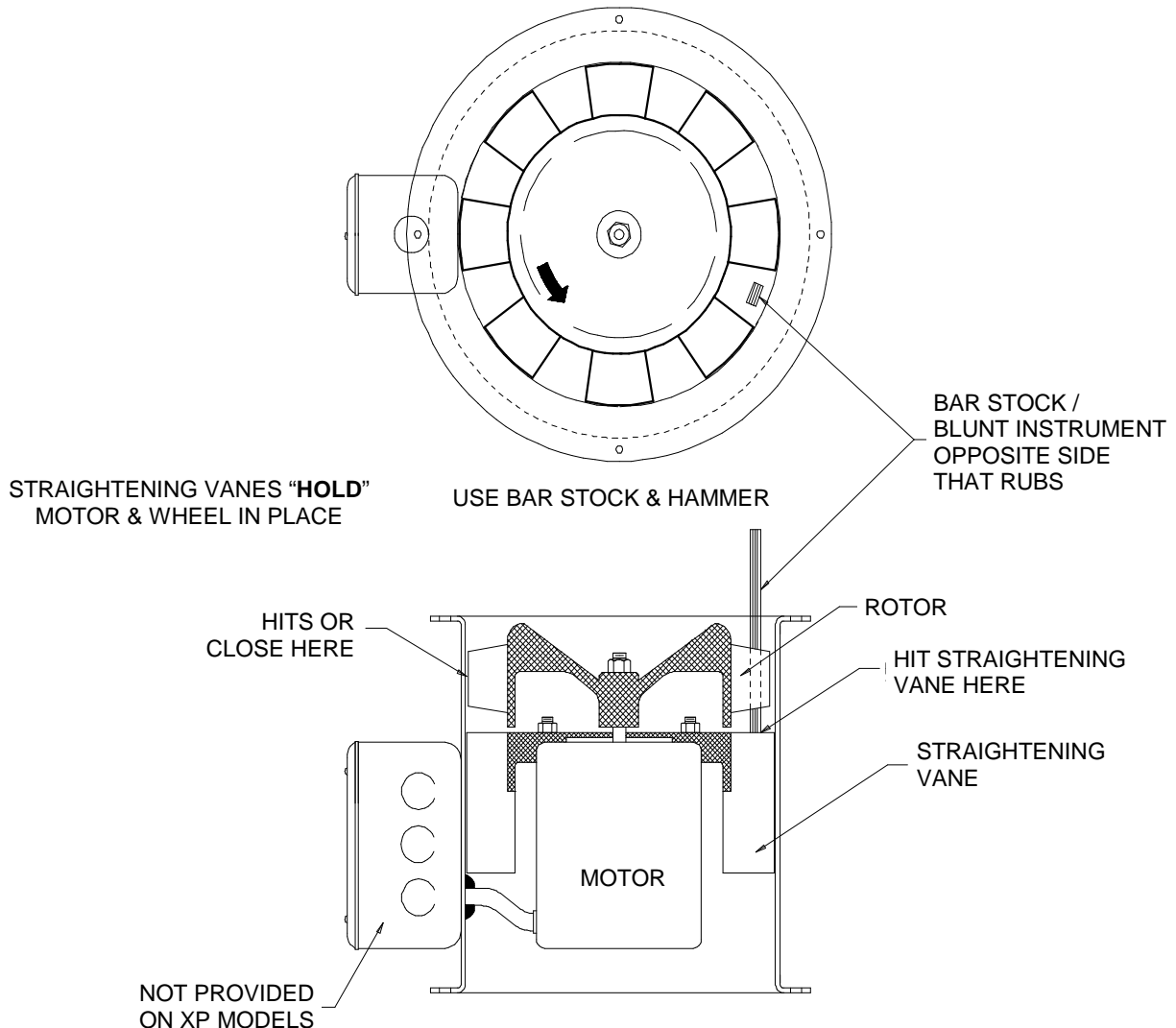


VANAX REPAIR INSTRUCTIONS



The Vanax fan motor is attached to the straightening vane section, which is held in place inside the casing as a net fit thru a "heat and shrink" process of the casing. On occasion, a jolt of the fan will cause the internal assembly to shift slightly resulting in the rotor contacting the casing. This is *usually* a downward shift in the direction of the motor with the rotor rubbing at the low spot. To re-align, place a blunt instrument on the straightening vane section directly opposite the rotor contact point and strike one time firmly. This should re-align the assembly.



P.O. Box 2300 Jacksonville, Florida 32203-2300
 Phone (904) 389-3646 • Fax (904) 387-3449
 E-Mail • info@coolair.com
 Website • <http://www.coolair.com>