

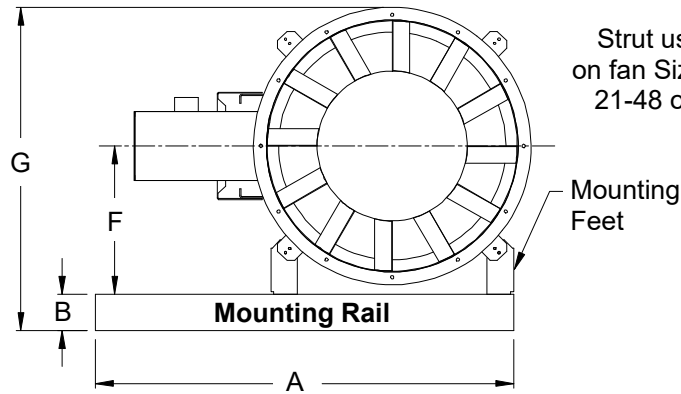
# Mounting Rails

For VA and MXF

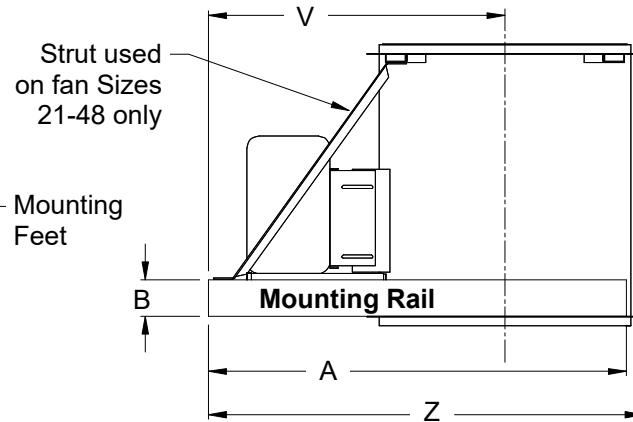


P.O. Box 2300 Jacksonville, Florida 32203  
 Phone: (904) 389-3646  
 Fax: (904) 387-3449 • (904) 381-7560  
 E-mail: info@coolair.com  
 Web: americancoolair.com

## Horizontal Fan Orientation

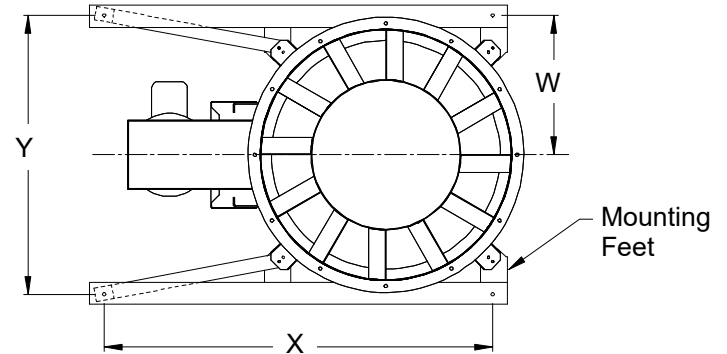
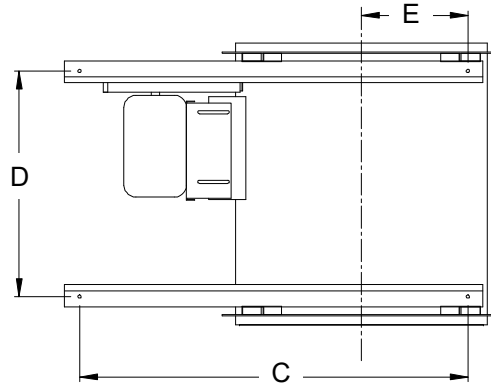


## Vertical Fan Orientation



## Standard Features

- Designed to securely mount VAB, VAD, MXF and MXFD fans in either a horizontal or vertical orientation.
- Heavy gauge angle steel construction
- Mounting feet included



## Dimensions

Fan Size		A	B	C	D				E	F	G	V	W	X	Y	Z
MXF/MXFD	VAB/VAD				MXF	MXFD	VAB	VAD								
9	12	27 1/2	3 3/16	25	12 9/16	—	13 5/16	11 5/16	6 1/2	10 1/8	20 3/4	19 3/4	9 3/16	25	18 3/8	27 1/2
—	14	27 1/2	3 3/16	25	—	—	13 5/16	11 5/16	7 1/4	10 7/8	22 1/2	19	9 15/16	25	19 7/8	27 3/8*
13	16	32	3 3/16	29 1/2	14 11/16	14 11/16	13 5/16	11 5/16	7 15/16	11 9/16	24 3/16	22 13/16	10 5/8	29 1/2	21 3/16	32 1/4
—	18	32	3 3/16	29 1/2	—	—	13 5/16	11 5/16	8 11/16	12 5/16	28 7/8	22 1/16	11 3/8	29 1/2	22 3/4	32 1/2*
18	—	43 3/4	3 1/2	41 1/2	23 7/16	25 7/16	—	—	9 3/4	13 3/8	28 7/8	32 7/8	12 7/16	41 1/2	24 7/8	44 7/8
21	24	47 1/2	3 1/2	44 1/2	25 1/16	23 9/16	26 1/8	19 1/8	10 13/16	14 1/2	32	35 3/16	13 9/16	44 1/2	27 1/16	49 1/8
27	30	54	6 3/16	49	28 5/8	28 5/8	27 1/2	19 1/8	13 3/4	20 3/4	44	37 3/4	19 1/4	49	38 7/16	54 7/8
32	36	61	6 3/16	56	34 1/8	35 5/8	29 1/2	29 1/2	15 7/8	22 7/8	49 1/4	42 5/8	21 3/8	56	42 3/4	62 7/8
38	42	70 3/8	6 3/16	65 3/8	38	42 1/2	29 1/2	29 1/2	18	25	54 1/2	49 7/8	23 1/2	65 3/8	47	73 1/4
43	48	75 9/16	6 3/16	69 5/8	44 1/8	46 5/8	29 1/2	29 1/2	20 1/8	27 1/8	59 3/4	52 1/2	25 5/8	69 5/8	51 3/16	79

'A' is the Mounting Rail length.  
 'B' is the Mounting Rail height.  
 'C' & 'D' locate the mounting holes in the Mounting Rail for horizontal fan orientation.  
 'E' is the distance from the fan centerline to the mounting hole.  
 'F' is the distance from the fan centerline to the top of the Mounting Rail.  
 'G' is overall height from the tip of the flange to the bottom of the mounting rail.  
 'V' is the distance from the fan centerline to the edge of the Mounting Rail.  
 'W' is the distance from the fan centerline to the mounting hole.  
 'X' & 'Y' locate the mounting holes in the Mounting Rail for vertical fan orientation.  
 'Z' is overall length from the tip of the flange to the end of the mounting rail.

Dimensions in inches

\* — Optional Motor Cover will extend beyond mounting rails on VAB14 & VAB18