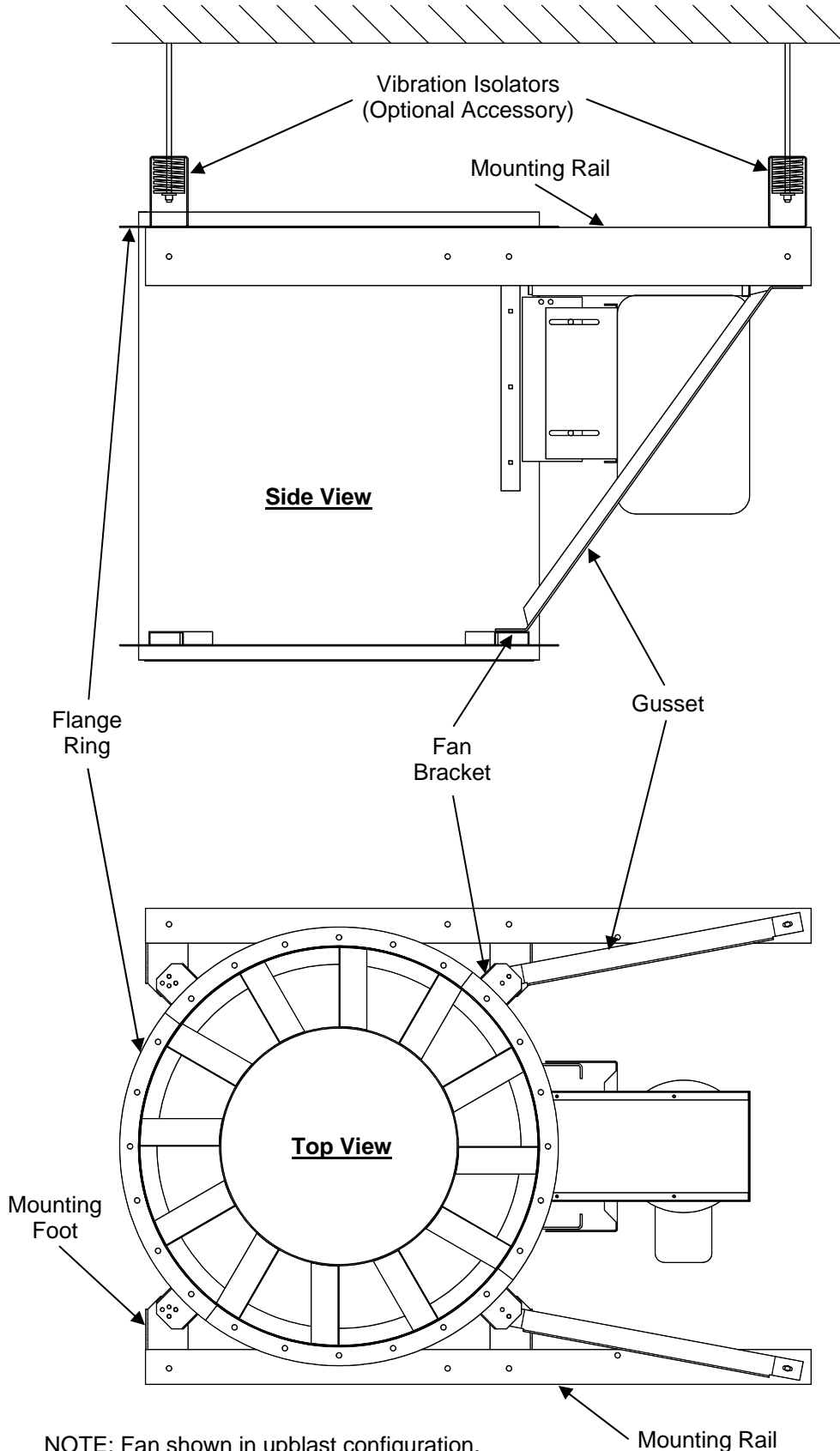


# Mounting Rail Assembly Instructions

## Vertical Mounting Configuration



### MXF21 and VAB24 units:

- 1) Attach the mounting feet to the fan brackets with the 5/16" x 1" bolts, flat washers and nylon insert nuts.
- 2) Attach the mounting rails to the mounting feet with the 3/8" x 1" bolts, flat washers and nylon insert nuts.
- 3) Attach the mounting rails to the flange ring with the 3/8" x 1" bolts, flat washers and nylon insert nuts.
- 4) Attach the gussets to the fan brackets and mounting rails with the 5/16" x 1" bolts, flat washers and nylon insert nuts.

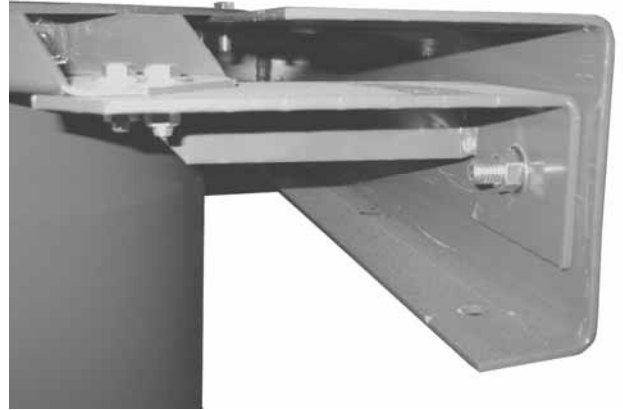
### MXF27-43 and VAB30-48 units:

- 1) Attach the mounting feet to the fan brackets with the 3/8" x 1" bolts, flat washers and nylon insert nuts.
- 2) Attach the mounting rails to the mounting feet with the 1/2" x 1" bolts, flat washers and nylon insert nuts.
- 3) Attach the mounting rails to the flange ring with the 1/2" x 1" bolts, flat washers and nylon insert nuts.
- 4) Attach the gussets to the fan brackets and mounting rails with the 3/8" x 1" bolts, flat washers and nylon insert nuts.

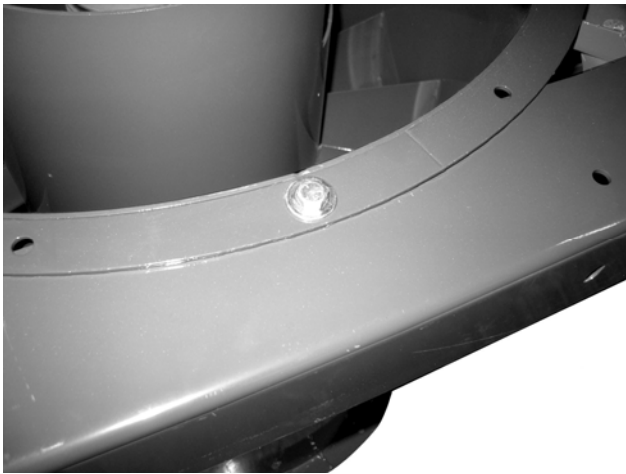
**NOTE:** Fan shown in upblast configuration.  
For downblast, invert the fan unit.



Attach the mounting feet to the fan brackets.



Attach the mounting rails to the mounting feet.



Attach the mounting rails to the flange ring.



Attach the gussets to the fan brackets.



Attach the gussets to the mounting rails.



Completed assembly of vertical mounting rails and gussets.