

Type MH Wall Housing



P.O. Box 2300 Jacksonville, Florida 32203
 Phone: (904) 389-3646
 Fax: (904) 387-3449 • (904) 381-7560
 E-mail: info@coolair.com
 Internet: www.coolair.com

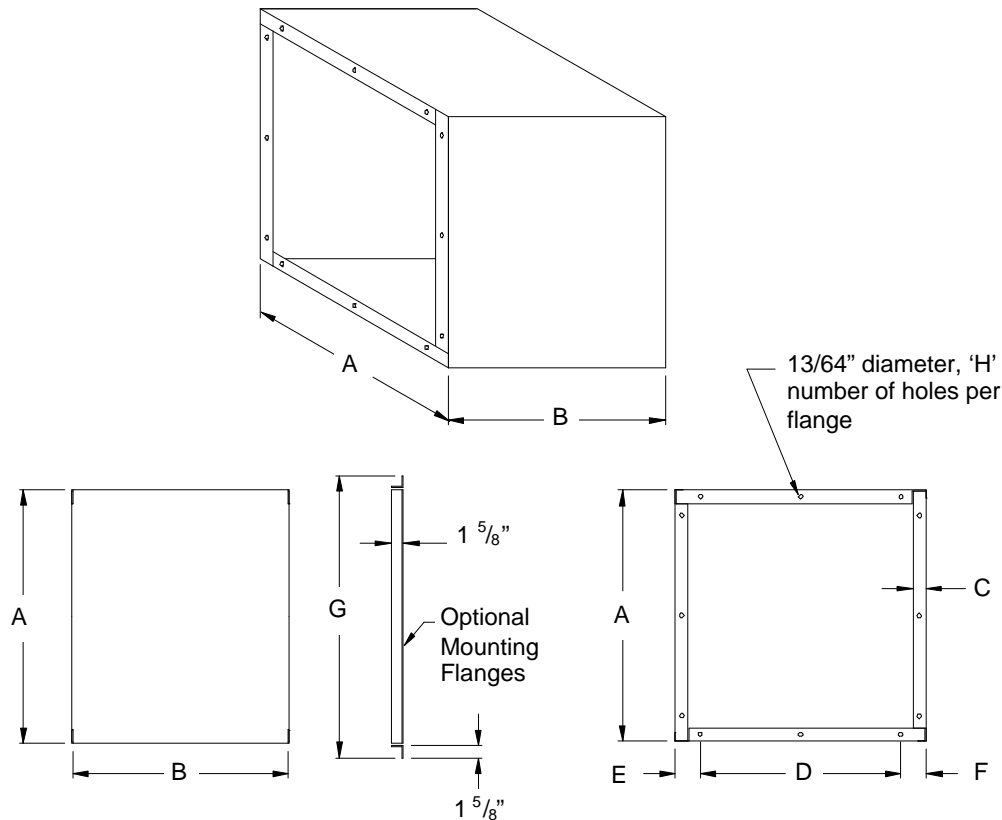
Standard Features

- For use with American Coolair wall fans
- Heavy gauge galvanized steel
- Shipped knocked down or fully assembled
- Simplifies fan and shutter installation

Abbreviations for Accessories

(List on fan submittal sheet.)

- AP – Access panel
- MH-G – Wall housing front or rear guard
- MFMH – Wall mounting flanges
- EPX – 6 mil epoxy finish



Model	Dimensions in Inches							H ²
	A ¹	B	C	D	E	F	G	
MH7-8	14 1/4	16 1/8	1 5/8	6	4 1/8	4 1/8	17 3/8	2
MH10-12	18 1/4	21 1/8	1 5/8	10	4 1/8	4 1/8	21 3/8	2
MHE10-12	18 1/4	16 7/8	1 5/8	10	4 1/8	4 1/8	21 3/8	2
MH14-16	22 1/4	25 3/8	1 5/8	14	4 1/8	4 1/8	25 3/8	2
MHE14-16	22 1/4	16 7/8	1 5/8	14	4 1/8	4 1/8	25 3/8	2
MH18-20	26 1/4	25 3/8	1 5/8	18	4 1/8	4 1/8	29 3/8	2
MHE18-20	26 1/4	17 7/8	1 5/8	18	4 1/8	4 1/8	29 3/8	2
MH24	32 1/4	26 7/8	1 5/8	24 5/8	3 3/4	3 3/4	35 3/8	3
MHX24	32 1/4	35 7/8	1 5/8	24 5/8	3 3/4	3 3/4	35 3/8	3
MH30	38 1/4	26 7/8	1 5/8	30 5/8	3 3/4	3 3/4	41 3/8	3
MHX30	38 1/4	35 7/8	1 5/8	30 5/8	3 3/4	3 3/4	41 3/8	3
MH36	44 1/4	32 5/8	1 5/8	36 5/8	3 3/4	3 3/4	47 3/8	3
MHX36	44 1/4	38 5/8	1 5/8	36 5/8	3 3/4	3 3/4	47 3/8	3
MH42	50 1/4	32 5/8	1 5/8	42 5/8	3 3/4	3 3/4	53 3/8	3
MHX42	50 1/4	38 5/8	1 5/8	42 5/8	3 3/4	3 3/4	53 3/8	3
MH48	56 1/4	32 5/8	1 5/8	48 5/8	3 3/4	3 3/4	59 3/8	5
MHH48	56 3/8	32 5/8	1 5/8	48 5/8	3 7/8	3 7/8	59 1/2	5
MHX48	56 5/8	44 1/2	1 3/4	48 5/8	4	4	59 3/4	5
MHH54	62 3/8	32 5/8	1 5/8	54 5/8	3 7/8	3 7/8	65 5/8	5
MHX54	62 5/8	44 1/2	1 3/4	54 5/8	4	4	65 7/8	5
MHH60	68 3/8	32 5/8	1 5/8	60 5/8	3 7/8	3 7/8	71 5/8	5
MHX60	68 5/8	44 1/2	1 3/4	60 5/8	4	4	71 7/8	5
MHX72	80 3/4	45 1/4	1 3/8	48	17 1/8	15 5/8	84	4
MHX84	92 3/4	45 1/4	1 3/8	60	16 1/8	16 5/8	96	5

1 -- Add 3/4" to dimension 'A' for recommended wall opening.

2 -- 'H' shows the number of equally spaced mounting holes on each panel flange.