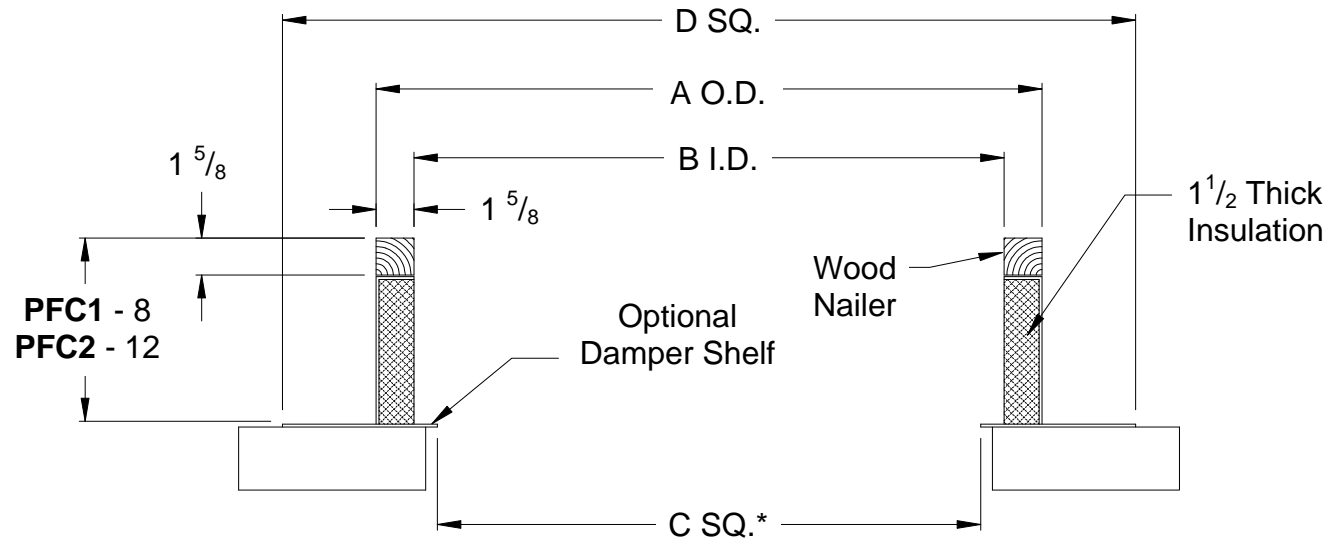
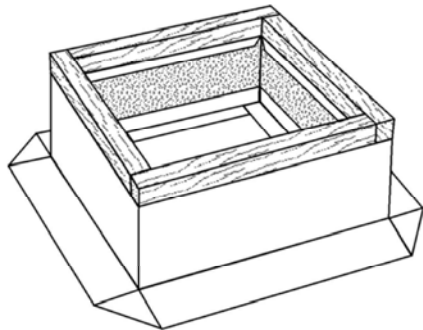


Type PFC

Prefabricated Roof Curbs



P.O. Box 2300 Jacksonville, Florida 32203
 Phone: (904) 389-3646
 Fax: (904) 387-3449 • (904) 381-7560
 E-mail: fans@coolair.com
 Internet: americancoolair.com



PRV Size	PRV Curb Cap I.D.	A (Curb O.D.)	B (Curb I.D.)	C* (D.S. I.D.)	D
10, 12	24	22	18 3/4	16 3/4	30
14, 16	28	26	22 3/4	20 3/4	34
18, 20	32	30	26 3/4	24 3/4	38
24	38	36	32 3/4	30 3/4	44
30	44	42	38 3/4	36 3/4	50
36	50	48	44 3/4	42 3/4	56
42	56	54	50 3/4	48 3/4	62
48	62	60	56 3/4	54 3/4	68
54	68	66	62 3/4	60 3/4	74
60	77	75	71 3/4	66 3/4	83
72	89	87	83 3/4	81 3/4	95
84	101	99	95 3/4	93 3/4	107

Standard Features

- Heavy gauge galvanized steel
- All-welded construction
- 8" standard curb height (PFC1)
- Self-flashing
- Wood nailer
- Fiberglass insulation

Optional Features

- Damper Mounting Shelf
- 12" curb height (PFC2)
- Single or double pitch
- Aluminum construction

* - The Damper Shelf is an optional accessory.

Dimensions in inches