

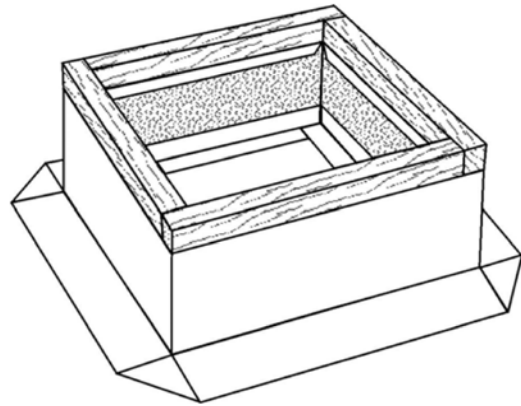
Type PFC

Roof Curb for Fan Models
CRBA - CRBCA - CRDA



AMERICAN COOLAIR CORPORATION

P.O. Box 2300 Jacksonville, Florida 32203
 Phone: (904) 389-3646
 Fax: (904) 387-3449 • (904) 381-7560
 E-mail: fans@coolair.com
 Internet: americancoolair.com

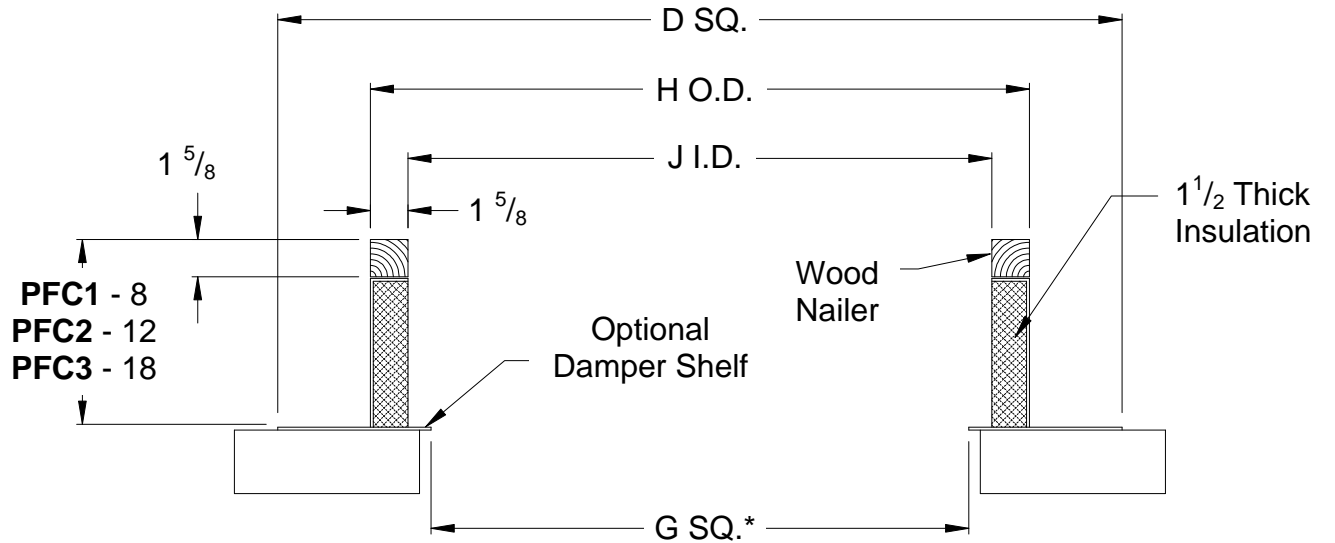


Standard Features

- Heavy-Duty Galvanized Construction
- Self-Flashing
- PFC1 — 8" High
- PFC2 — 12" High
- PFC3 — 18" High

Optional Features

- Damper Mounting Shelf
- Single or Double Pitch
- Pressure Treated Wood Nailer



Unit Size	D	G*	H	J
06, 08, 10	24 1/2	11 1/4	16 1/2	13 1/4
12, 13, 15	29 1/2	16 1/4	21 1/2	18 1/4
16, 18, 20	36 1/2	23 1/4	28 1/2	25 1/4
24	40 1/2	27 1/4	32 1/2	29 1/4
30	46 1/2	33 1/4	38 1/2	35 1/4
36	52 1/2	29 1/4	44 1/2	41 1/4
44	62 1/2	49 1/4	54 1/2	51 1/4
52	71 1/2	58 1/4	63 1/2	60 1/4

* - The Damper Shelf is an optional accessory.

Dimensions in inches