

Type PFC

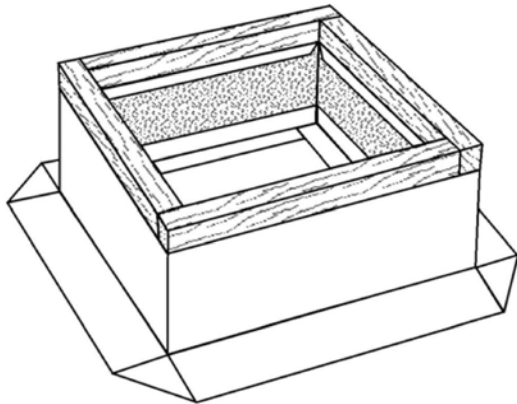
Roof Curb for Fan Model

CUDA



AMERICAN COOLAIR CORPORATION

P.O. Box 2300 Jacksonville, Florida 32203
 Phone: (904) 389-3646
 Fax: (904) 387-3449 • (904) 381-7560
 E-mail: fans@coolair.com
 Internet: americancoolair.com

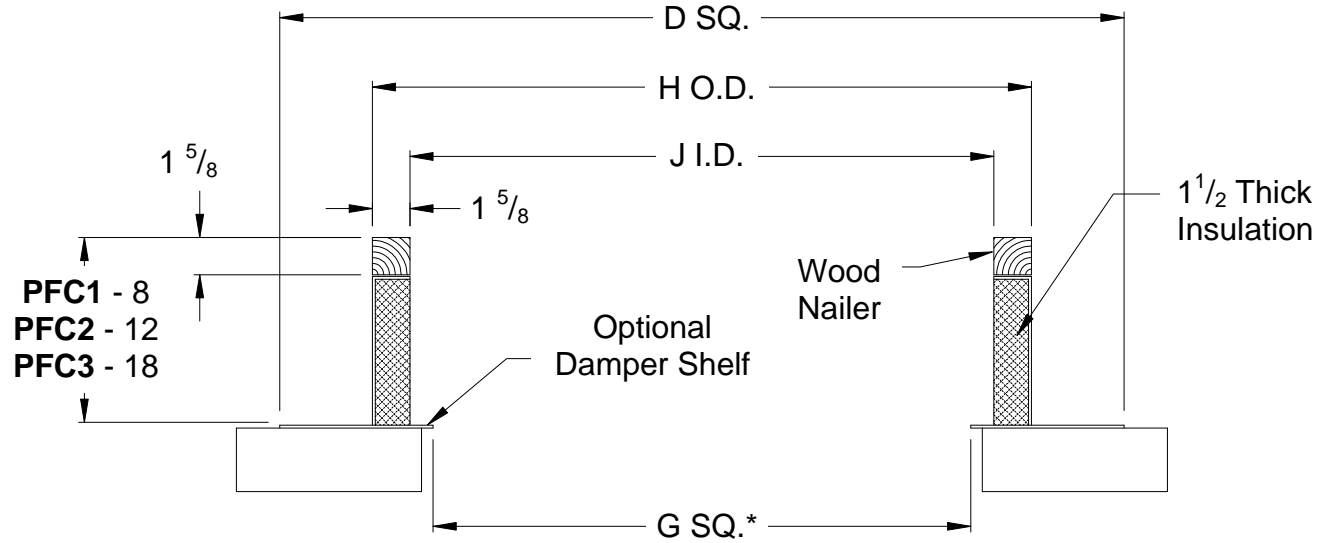


Standard Features

- Heavy-Duty Galvanized Construction
- Self-Flashing
- PFC1 — 8" High
- PFC2 — 12" High
- PFC3 — 18" High

Optional Features

- Damper Mounting Shelf
- Single or Double Pitch
- Pressure Treated Wood Nailer



CUDA	D	G*	H	J
06, 08, 10	24 1/2	11 1/4	16 1/2	13 1/4
12, 13, 15	32 1/2	19 1/4	24 1/2	21 1/4
16, 18, 20	36 1/2	23 1/4	28 1/2	25 1/4

* - The Damper Shelf is an optional accessory.

Dimensions in inches