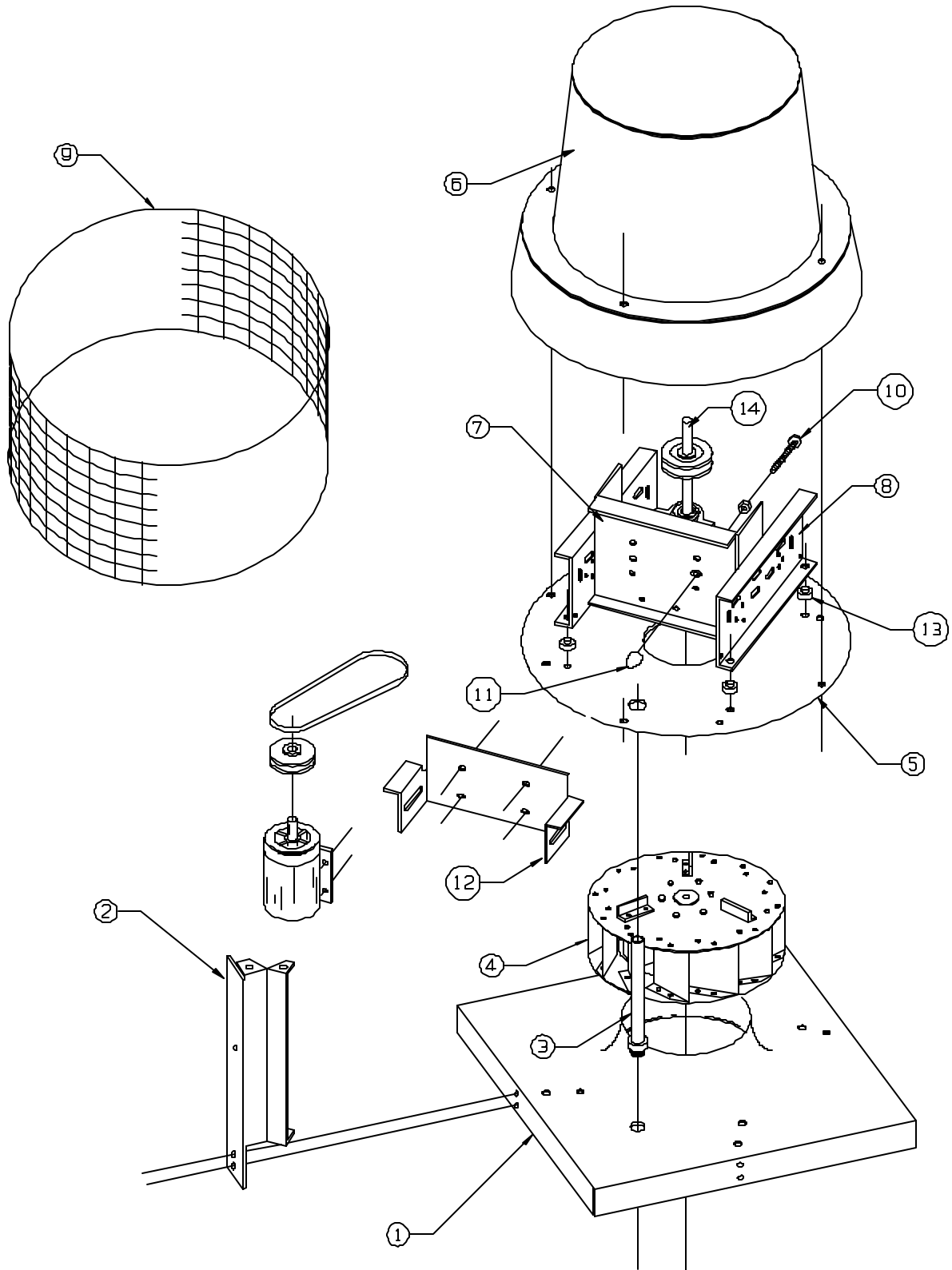




# CRBA 06 to 10 Centrifugal Power Roof Ventilators

ILG Industries



## AMERICAN COOLAIR CORPORATION

GENERAL OFFICES, JACKSONVILLE, FLORIDA 32203-2300 ~ P.O. BOX 2300 ~ (904) 389 3646 ~ FAX (904) 387 3449 ~ E-MAIL - fans@coolair.com  
VANE AXIAL FANS ~ TUBE AXIAL FANS ~ PROPELLER FANS ~ POWER ROOF VENTILATORS ~ CENTRIFUGAL VENTILATORS  
MEMBER OF AMCA



CRBA 06 to 10 Centrifugal  
Power Roof Ventilators

ILG Industries

| No. | Name of Part             | 06          | 08        | 10        |
|-----|--------------------------|-------------|-----------|-----------|
|     |                          | Part No.    |           |           |
| 1   | Formed Inlet Base        | 128-67-1    | 128-67-2  | 128-67-3  |
| 2   | Compartment Disc Support | 188-110-1   |           |           |
| 3   | Conduit                  | 2106-0405A  |           |           |
| 4   | Wheel Assembly           | 235-127-3   | 235-128-3 | 235-129-3 |
| 5   | Compartment Disc         | 161-175-1   |           |           |
| 6   | Roof                     | 178-7-1     |           |           |
| 7   | Bearing Plate            | 108-32-1    |           |           |
| 8   | Support Rail             | 102-218-1   |           |           |
| 9   | Birdscreen               | 197-64-1    |           |           |
| 10  | Tensioning Bolt          | 1204.24-7   |           |           |
| 11  | Rubber Thimble           | 1209.1-1    |           |           |
| 12  | Motor Bracket            | 161-196-1   |           |           |
| 13  | Vibration Isolator       | 12-174-58-2 |           |           |
| 14  | Shaft                    | 180-37-2    |           |           |

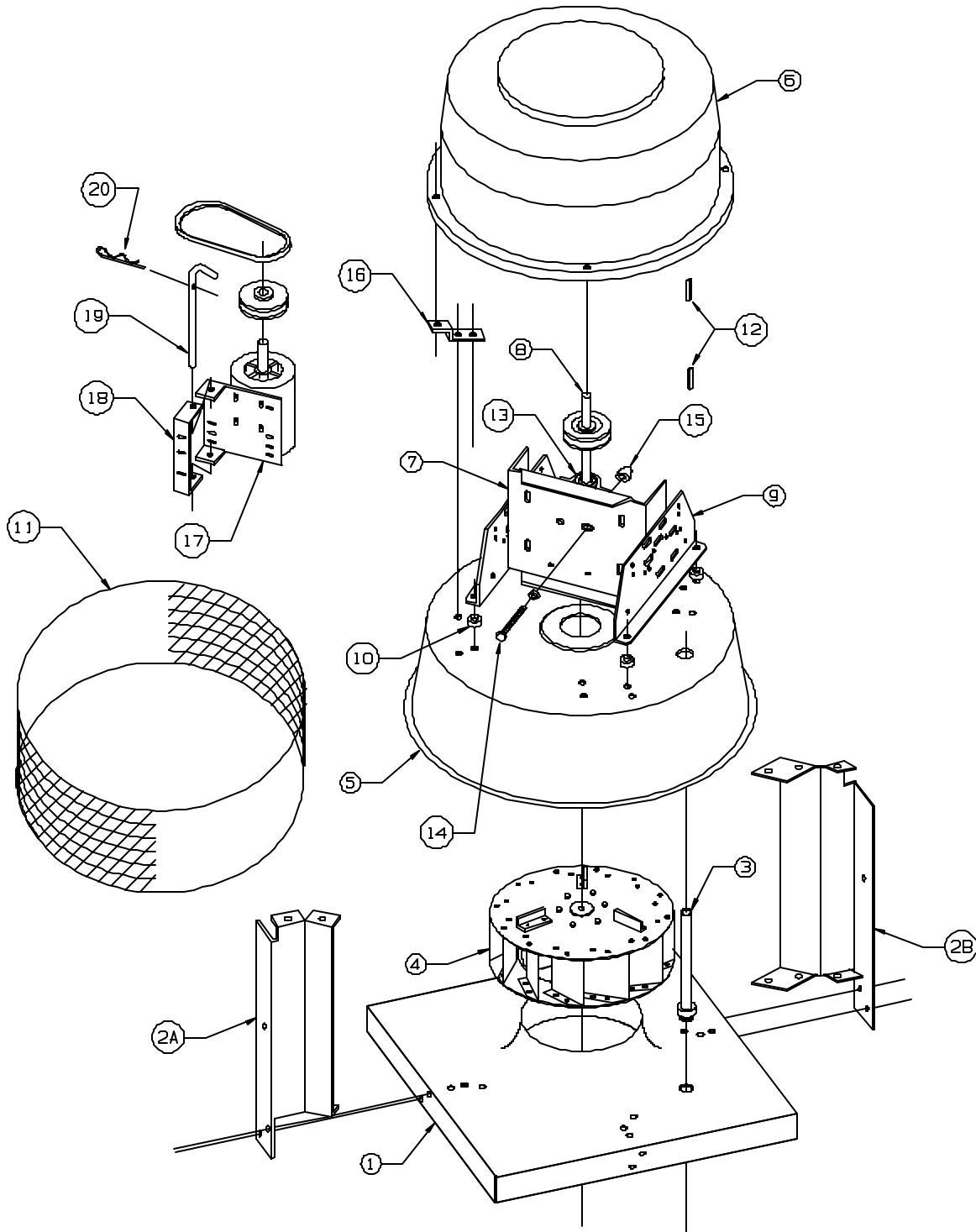
**AMERICAN COOLAIR CORPORATION**

GENERAL OFFICES, JACKSONVILLE, FLORIDA 32203-2300 ~ P.O. BOX 2300 ~ (904) 389 3646 ~ FAX (904) 387 3449 ~ E-MAIL – fans@coolair.com  
VANE AXIAL FANS ~ TUBE AXIAL FANS ~ PROPELLER FANS ~ POWER ROOF VENTILATORS ~ CENTRIFUGAL VENTILATORS  
MEMBER OF AMCA



# CRBA 12 to 20 Centrifugal Power Roof Ventilators

ILG Industries



## AMERICAN COOLAIR CORPORATION

GENERAL OFFICES, JACKSONVILLE, FLORIDA 32203-2300 ~ P.O. BOX 2300 ~ (904) 389 3646 ~ FAX (904) 387 3449 ~ E-MAIL – fans@coolair.com  
VANE AXIAL FANS ~ TUBE AXIAL FANS ~ PROPELLER FANS ~ POWER ROOF VENTILATORS ~ CENTRIFUGAL VENTILATORS  
MEMBER OF AMCA



CRBA 12 to 20 Centrifugal  
Power Roof Ventilators

ILG Industries

| No. | Name of Part             | 12          | 13        | 15        | 16         | 18        | 20        |
|-----|--------------------------|-------------|-----------|-----------|------------|-----------|-----------|
| 1   | Formed Inlet Base        | 128-68-1    | 128-68-2  | 128-68-3  | 128-69-1   | 128-69-2  | 128-69-3  |
| 2A  | Compartment Disc Support | 188-111-1   |           |           | -----      |           |           |
| 2B  |                          | -----       |           |           | 188-112-1  |           |           |
| 3   | Conduit AN23446          | 2112-0413A  |           |           | 2118-0411  |           |           |
| 4   | Wheel Assembly           | 235-130-3   | 235-131-3 | 235-132-3 | 235-133-3  | 235-134-3 | 235-135-3 |
| 5   | Roof Skirt               | 178-5-1     |           |           | 178-6-1    |           |           |
| 6   | Roof CN21123             | 2113-0016A  |           |           | 2120-0012A |           |           |
| 7   | Motor/Bearing Plate      | 161-186-1   |           |           | 161-187-1  |           |           |
| 8   | Shaft BN21131            | 2113-2500B  |           |           |            |           |           |
| 9   | Support Rail             | 102-199-1   |           |           | 102-199-2  |           |           |
| 10  | Vibration Isolator       | 12-174-58-2 |           |           |            |           |           |
| 11  | Birdscreen               | 197-64-2    |           |           | 197-64-3   |           |           |
| 12  | Key                      | 1220.1-1    |           |           |            |           |           |
| 13  | Bearings                 | 1232.1      |           |           |            |           |           |
| 14  | Adjusting Screw          | 1204.24-7   |           |           |            |           |           |
| 15  | Rubber Thimble           | 1209.1-1    |           |           |            |           |           |
| 16  | Roof Bracket             | 188-121-2   |           |           |            |           |           |
| 17  | Motor Bracket            | 161-141-1   |           |           |            |           |           |
| 18  | Swivel Bracket           | 161-142-1   |           |           |            |           |           |
| 19  | Swivel Pin               | 170-3-3     |           |           |            |           |           |
| 20  | Hairoin Cotter           | 1221.2-1    |           |           |            |           |           |

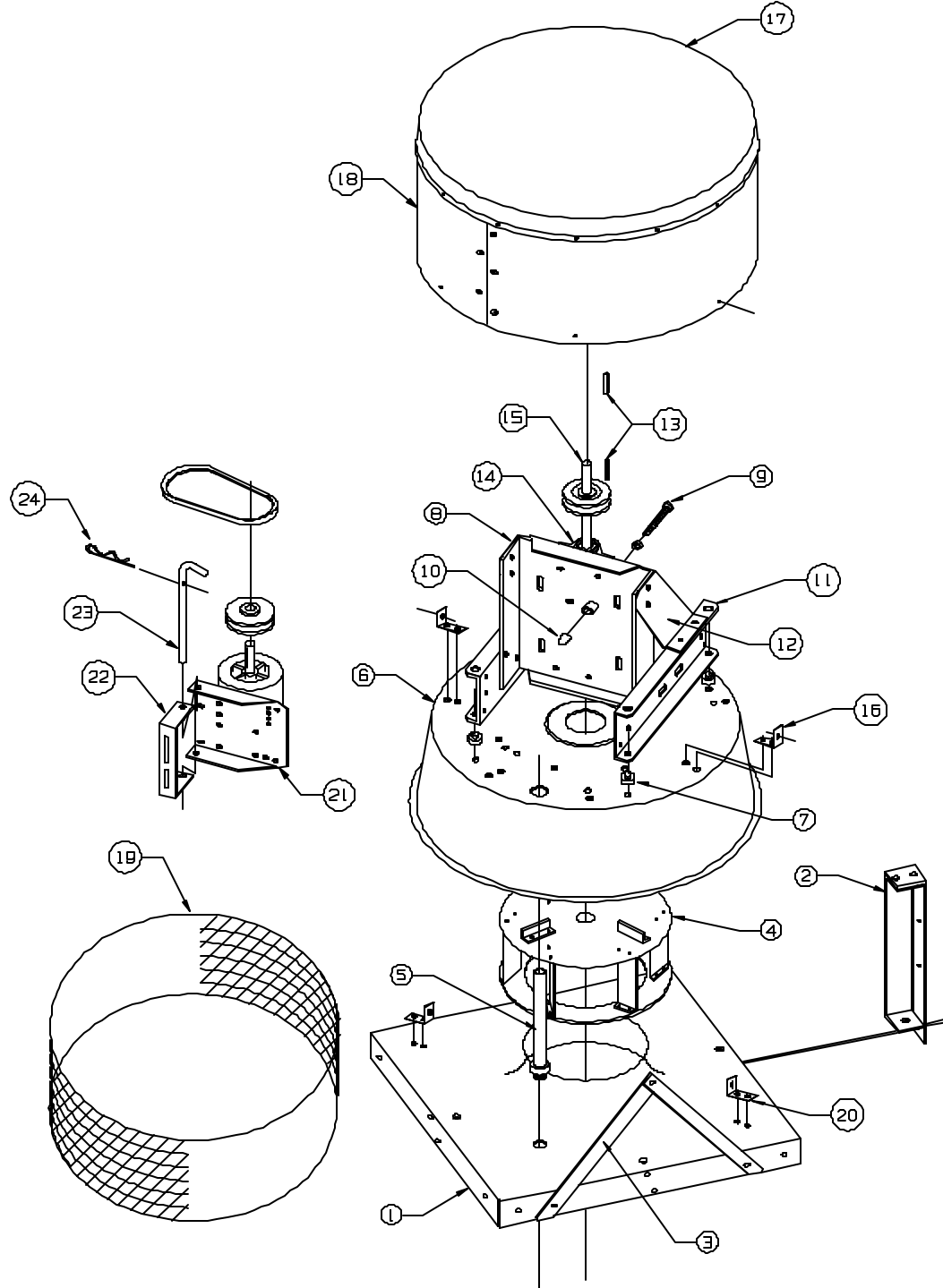
**AMERICAN COOLAIR CORPORATION**

GENERAL OFFICES, JACKSONVILLE, FLORIDA 32203-2300 ~ P.O. BOX 2300 ~ (904) 389 3646 ~ FAX (904) 387 3449 ~ E-MAIL – fans@coolair.com  
VANE AXIAL FANS ~ TUBE AXIAL FANS ~ PROPELLER FANS ~ POWER ROOF VENTILATORS ~ CENTRIFUGAL VENTILATORS  
MEMBER OF AMCA



# CRBA 24 to 52 Centrifugal Power Roof Ventilators

ILG Industries



## AMERICAN COOLAIR CORPORATION

GENERAL OFFICES, JACKSONVILLE, FLORIDA 32203-2300 ~ P.O. BOX 2300 ~ (904) 389 3646 ~ FAX (904) 387 3449 ~ E-MAIL - fans@coolair.com  
VANE AXIAL FANS ~ TUBE AXIAL FANS ~ PROPELLER FANS ~ POWER ROOF VENTILATORS ~ CENTRIFUGAL VENTILATORS  
MEMBER OF AMCA



CRBA 24 to 52 Centrifugal  
Power Roof Ventilators

ILG Industries

| No. | Name of Part           | 24          | 30         | 36         | 44         | 52        |
|-----|------------------------|-------------|------------|------------|------------|-----------|
|     |                        | Part No.    |            |            |            |           |
| 1   | Inlet Base             | 2124-1815   | 2130-1815  | 2136-1815  | 2144-1813  | 2152-1810 |
| 2   | Support Bracket        | 188-120-1   | 188-120-2  | 188-120-3  | 188-120-4  | 188-120-5 |
| 3   | Support Bracket Gusset | 115-138-1   |            | 115-138-2  |            | 115-138-3 |
| 4   | Wheel Assembly         | 235-157-5   | 235-158-5  | 235-159-6  | 235-160-6  | 235-161-8 |
| 5   | Conduit AN23446        | 2124-0402A  | 2130-0402A | 2136-0400A | 2144-0400A | 2152-0410 |
| 6   | Roof Skirt             | 178-9-1     | 178-10-1   | 178-11-1   | 178-12-1   | 178-13-1  |
| 7   | Vibration Isolator     | 12-174-58-2 |            |            |            |           |
| 8   | Motor/Bearing Plate    | 161-147-1   | 161-147-2  | 161-148-1  | 161-152-1  | 161-152-2 |
| 9   | Adjusting Screw        | 1204.24-7   |            |            |            |           |
| 10  | Rubber Thimble         | 1209.1-1    |            |            |            |           |
| 11  | Support Rail           | 102-173-1   | 102-173-2  | 102-173-3  | 102-173-4  | 102-173-5 |
| 12  | Support Rail Gusset    | 115-139-1   |            | 115-139-2  |            |           |
| 13  | Key                    | 1220.2-1    |            |            |            |           |
| 14  | Bearings               | 1232.3      |            | 1232.4     |            | 1232.5    |
| 15  | Shaft                  | 2130-2514   |            | 5718-2503A |            | 180-36-5  |
| 16  | Roof Bracket           | 188-121-1   |            |            |            |           |
| 17  | Roof Cap               | 119-14-2    | 119-14-3   | 119-14-4   | 119-14-5   | 119-14-1  |
| 18  | Roof Band              | 175-35-2    | 175-35-3   | 175-35-4   | 175-35-5   | 175-35-1  |
| 19  | Birdscreen BN23893     | 2124-5228   | 2130-5217  | 2136-5218  | 2144-5217  | 2152-5210 |
| 20  | Birdscreen Bracket     | -----       | 188-121-1  |            |            |           |
| 21  | Motor Bracket          | 2124-1144   |            |            |            |           |
| 22  | Swivel Bracket         | 2124-1114A  |            |            |            |           |
| 23  | Swivel Pin             | 170-3-3     |            |            |            |           |
| 24  | Hairpin Cotter         | 1221.2-1    |            |            |            |           |

**AMERICAN COOLAIR CORPORATION**

GENERAL OFFICES, JACKSONVILLE, FLORIDA 32203-2300 ~ P.O. BOX 2300 ~ (904) 389 3646 ~ FAX (904) 387 3449 ~ E-MAIL – fans@coolair.com  
 VANE AXIAL FANS ~ TUBE AXIAL FANS ~ PROPELLER FANS ~ POWER ROOF VENTILATORS ~ CENTRIFUGAL VENTILATORS  
 MEMBER OF AMCA