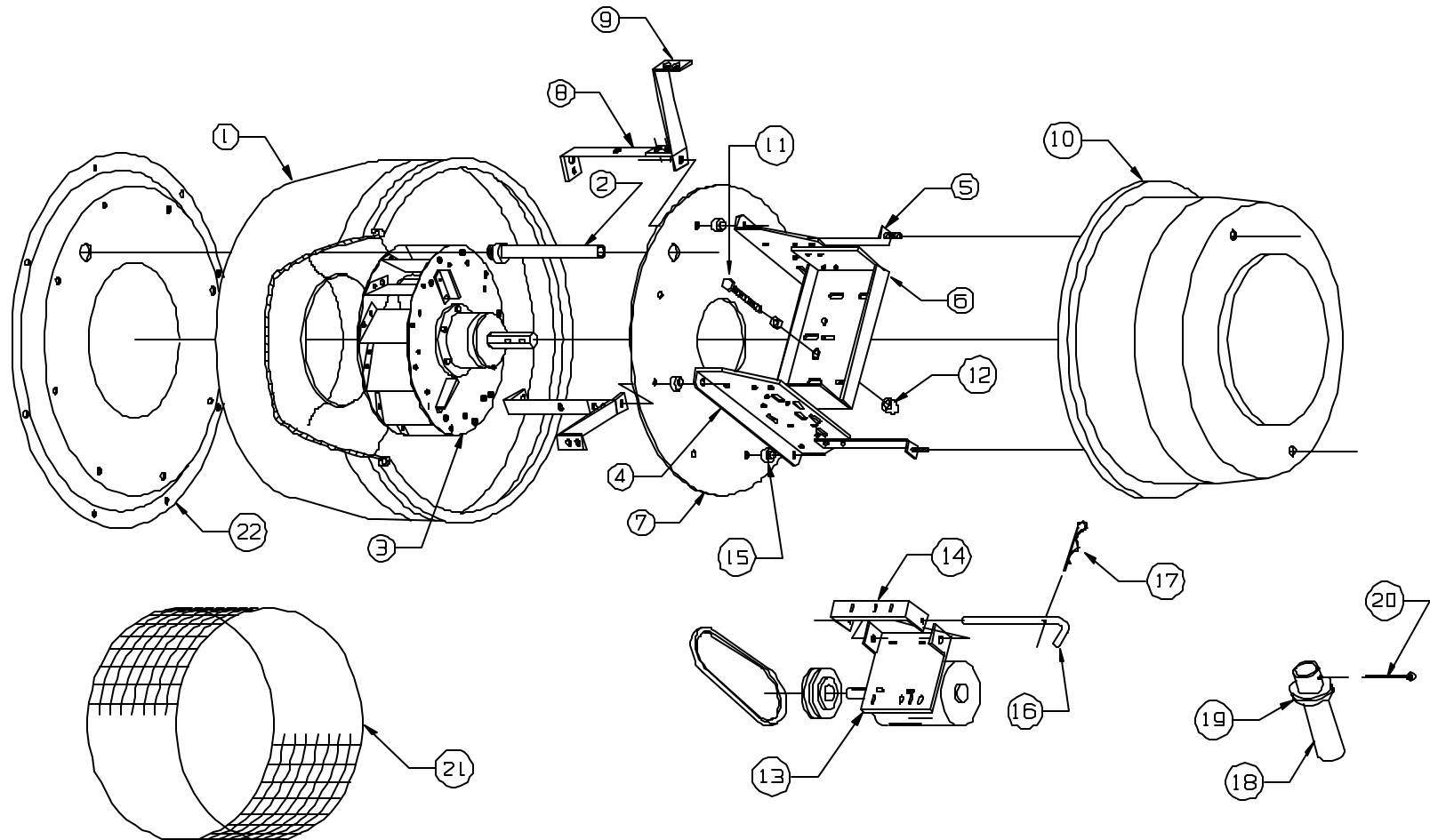




CWBA 12 to 20 Centrifugal Wall Exhaust Fans

ILG Industries



AMERICAN COOLAIR CORPORATION

GENERAL OFFICES, JACKSONVILLE, FLORIDA 32203-2300 ~ P.O. BOX 2300 ~ (904) 389 3646 ~ FAX (904) 387 3449 ~ E-MAIL - fans@coolair.com
VANE AXIAL FANS ~ TUBE AXIAL FANS ~ PROPELLER FANS ~ POWER ROOF VENTILATORS ~ CENTRIFUGAL VENTILATORS
MEMBER OF AMCA



CWBA 12 to 20 Centrifugal
Wall Exhaust Fans

ILG Industries

No	Name of Part	12	13	15	16	18	20
1	Bottom Outer Housing	151-229-1	151-229-2	151-229-3	151-230-1	151-230-2	151-230-3
2	Conduit	191-4-3			191-4-6		
3	Wheel Assembly	235-139-1	235-140-1	235-141-1	235-142-1	235-143-1	235-144-1
4	Support Rail	102-199-1			102-199-2		
5	Roof Bracket	188-86-1					
6	Shaft Bracket	188-85-1			188-85-2		
7	Compartment Disc	161-180-1			161-181-1		
8	Compartment Disc Support	188-113-1			188-113-2		
9	Support Reinforcement	188-114-1			188-114-2		
10	Roof	CN21123	2113-0016A		2120-0012A		
11	Tensioning Bolt	1204-24-7					
12	Rubber Thimble	1209.1-1					
13	Motor Bracket	161-141-1					
14	Swivel Bracket	161-142-1					
15	Vibration Isolator	12-174-58-2					
16	Swivel Pin	170-3-3					
17	Hairpin Cotter	1221.2-1					
18	Cooling Tube	191-5-2			191-5-1		
19	Grommet	12-174-51-1					
20	Cotter Pin	1221.1-1					
21	Birdscreen	197-65-1			197-65-2		
22	Wall Mounting Flange	138-32-1			138-33-1		

AMERICAN COOLAIR CORPORATION

GENERAL OFFICES, JACKSONVILLE, FLORIDA 32203-2300 ~ P.O. BOX 2300 ~ (904) 389 3646 ~ FAX (904) 387 3449 ~ E-MAIL – fans@coolair.com
 VANE AXIAL FANS ~ TUBE AXIAL FANS ~ PROPELLER FANS ~ POWER ROOF VENTILATORS ~ CENTRIFUGAL VENTILATORS
 MEMBER OF AMCA