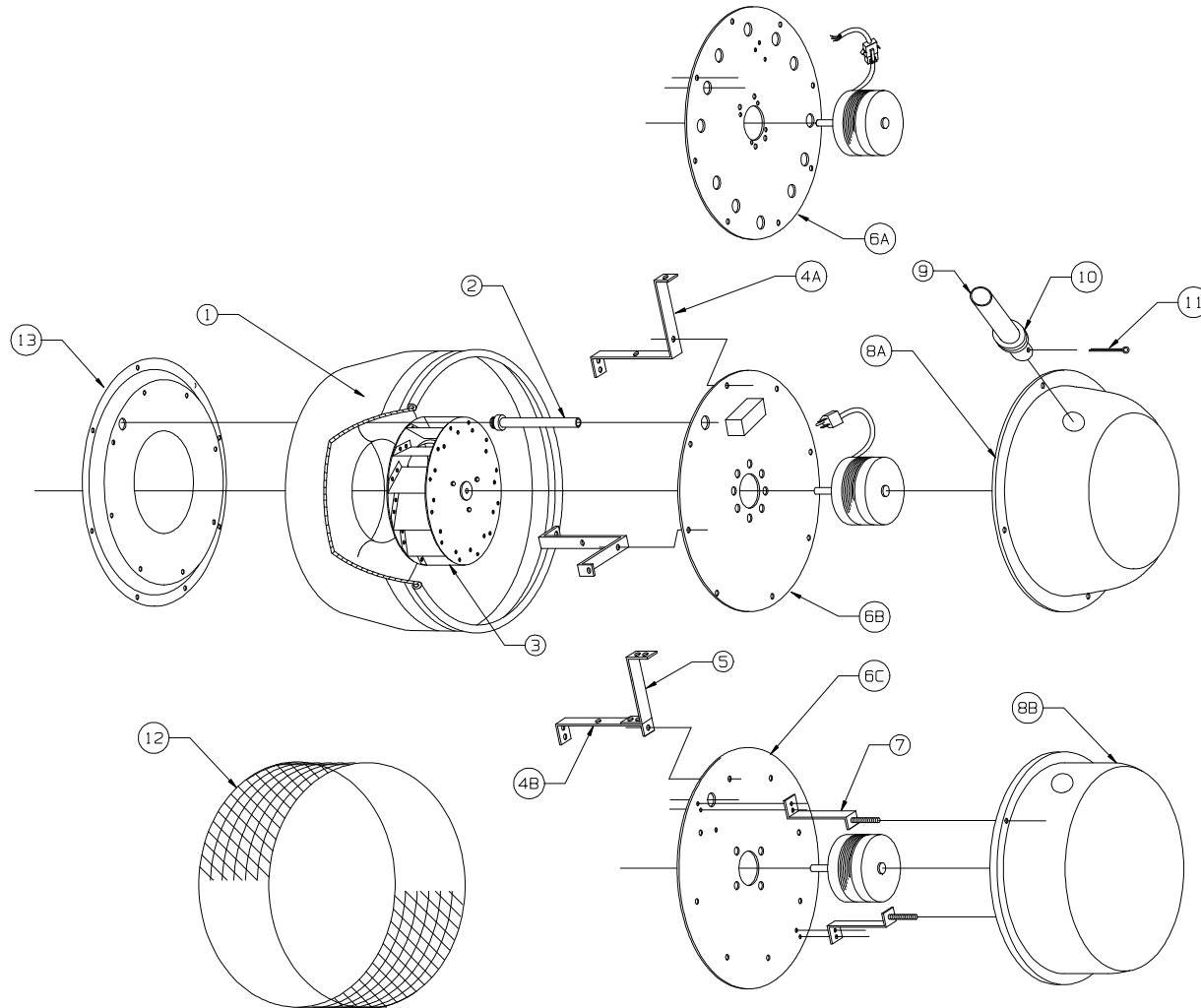




# CWDA 06 to 15 Centrifugal Wall Exhaust Fans with Face Mounted Motors

ILG Industries



## AMERICAN COOLAIR CORPORATION

GENERAL OFFICES, JACKSONVILLE, FLORIDA 32203-2300 ~ P.O. BOX 2300 ~ (904) 389 3646 ~ FAX (904) 387 3449 ~ E-MAIL – fans@coolair.com  
VANE AXIAL FANS ~ TUBE AXIAL FANS ~ PROPELLER FANS ~ POWER ROOF VENTILATORS ~ CENTRIFUGAL VENTILATORS  
MEMBER OF AMCA



CWDA 06 to 15 Centrifugal Wall Exhaust Fans with **Face Mounted Motors**

ILG Industries

		06	08	10	12	13	15	
No.	Name of Part	Part No.						
1	Bottom Outer Housing	151-228-1	151-228-2	151-228-3	151-229-1	151-229-2	151-229-3	
2	Conduit	191-4-1			191-4-3			
3	Wheel Assembly	5/16" Bore	235-127-2	235-128-2	235-129-2	-----		
		1/2" Bore	235-127-1	235-128-1	235-129-1	235-130-1	235-131-1	235-132-1
		5/8" Bore	-----				235-131-2	235-132-2
4A	Compartment Disc Support	188-81-1			-----			
4B		-----			188-113-1			
5	Support Reinforcement	-----			188-114-1			
6A	Compartment Disc	161-185-1			-----			
6B		161-179-1			-----			
6C		-----			161-182-1			
7	Roof Bracket	-----			188-129-1			
8A	Roof	178-3-1			-----			
8B		-----			178-15-1			
9	Cooling Tube	191-5-1			191-5-2			
10	Grommet	12-174-51-1						
11	Cotter Pin	1221.1-1						
12	Birdscreen	197-61-1			197-65-1			
13	Wall Mounting Flange	138-31-1			138-32-1			

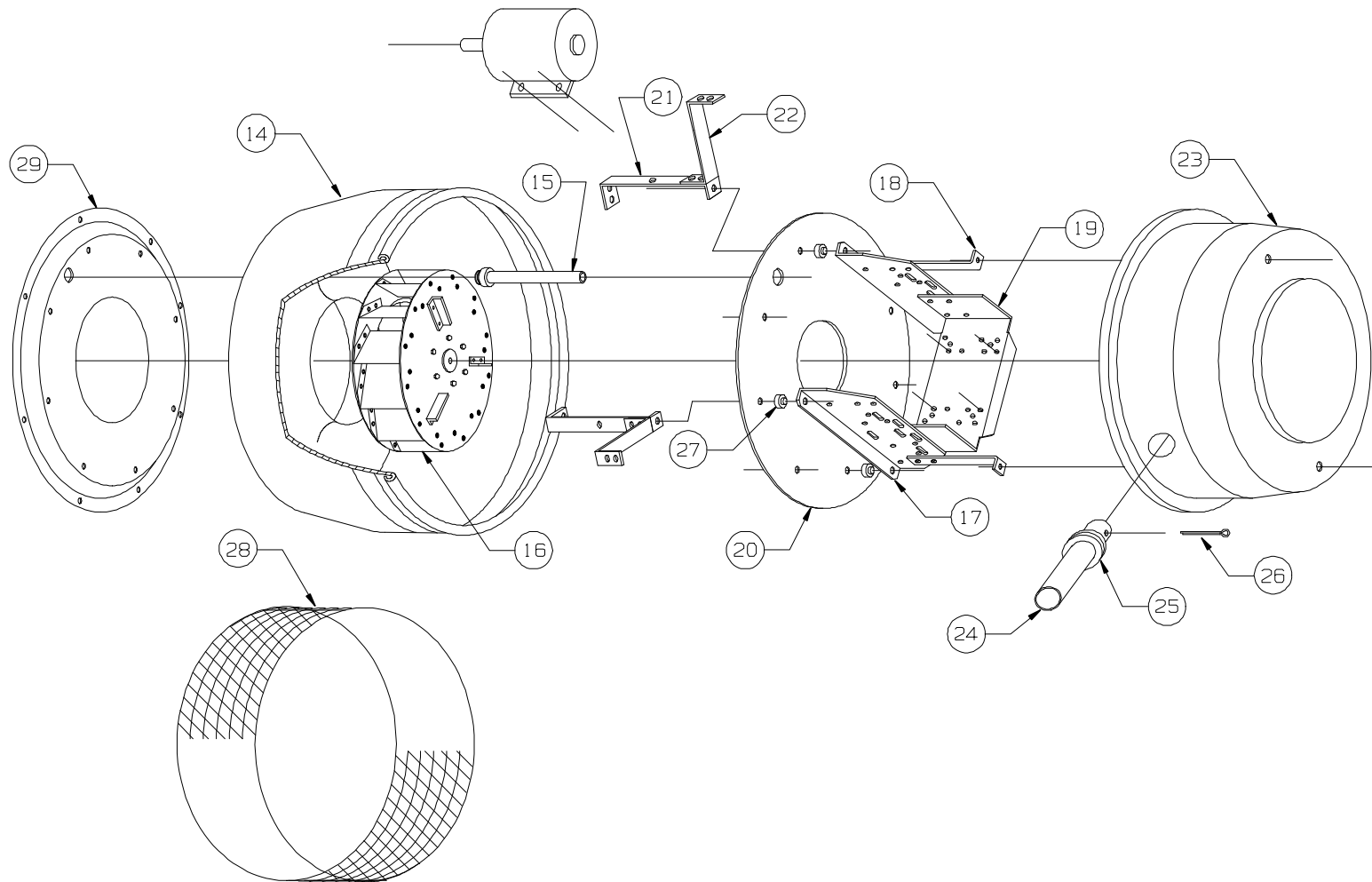
**AMERICAN COOLAIR CORPORATION**

GENERAL OFFICES, JACKSONVILLE, FLORIDA 32203-2300 ~ P.O. BOX 2300 ~ (904) 389 3646 ~ FAX (904) 387 3449 ~ E-MAIL – fans@coolair.com  
 VANE AXIAL FANS ~ TUBE AXIAL FANS ~ PROPELLER FANS ~ POWER ROOF VENTILATORS ~ CENTRIFUGAL VENTILATORS  
 MEMBER OF AMCA

# CWDA 12 to 20 Centrifugal Wall Exhaust Fans with Base Mounted Motors



ILG Industries



## AMERICAN COOLAIR CORPORATION

GENERAL OFFICES, JACKSONVILLE, FLORIDA 32203-2300 ~ P.O. BOX 2300 ~ (904) 389 3646 ~ FAX (904) 387 3449 ~ E-MAIL – fans@coolair.com  
VANE AXIAL FANS ~ TUBE AXIAL FANS ~ PROPELLER FANS ~ POWER ROOF VENTILATORS ~ CENTRIFUGAL VENTILATORS  
MEMBER OF AMCA



CWDA 12 to 20 Centrifugal Wall Exhaust Fans with **Base Mounted Motors**

ILG Industries

No.	Name of Part	12	13	15	16	18	20	
		Part No.						
14	Bottom Outer Housing	151-229-1	151-229-2	151-229-3	151-230-1	151-230-2	151-230-3	
15	Conduit	191-4-3			191-4-6			
16	Wheel Assembly	5/8" Bore	235-130-2	235-131-2	235-132-2	235-133-2	235-134-2	235-135-2
		7/8" Bore	-----	-----	-----	235-133-4	-----	-----
17	Support Rail	102-199-1			102-199-2			
18	Roof Bracket	188-86-1						
19	Motor Bracket	161-174-1			161-174-2			
20	Compartment Disc	161-180-1			161-181-1			
21	Compartment Disc Support	188-113-1			188-113-2			
22	Support Reinforcement	188-114-1			188-114-2			
23	Roof	CN21123	2113-0016A			2120-0012A		
24	Cooling Tube	191-5-2			191-5-1			
25	Grommet	12-174-51-1						
26	Cotter Pin	1221.1-1						
27	Vibration Isolator	12-174-58-2						
28	Birdscreen	197-65-1			197-65-2			
29	Wall Mounting Flange	138-32-1			138-33-1			

**AMERICAN COOLAIR CORPORATION**

GENERAL OFFICES, JACKSONVILLE, FLORIDA 32203-2300 ~ P.O. BOX 2300 ~ (904) 389 3646 ~ FAX (904) 387 3449 ~ E-MAIL – fans@coolair.com  
 VANE AXIAL FANS ~ TUBE AXIAL FANS ~ PROPELLER FANS ~ POWER ROOF VENTILATORS ~ CENTRIFUGAL VENTILATORS  
 MEMBER OF AMCA