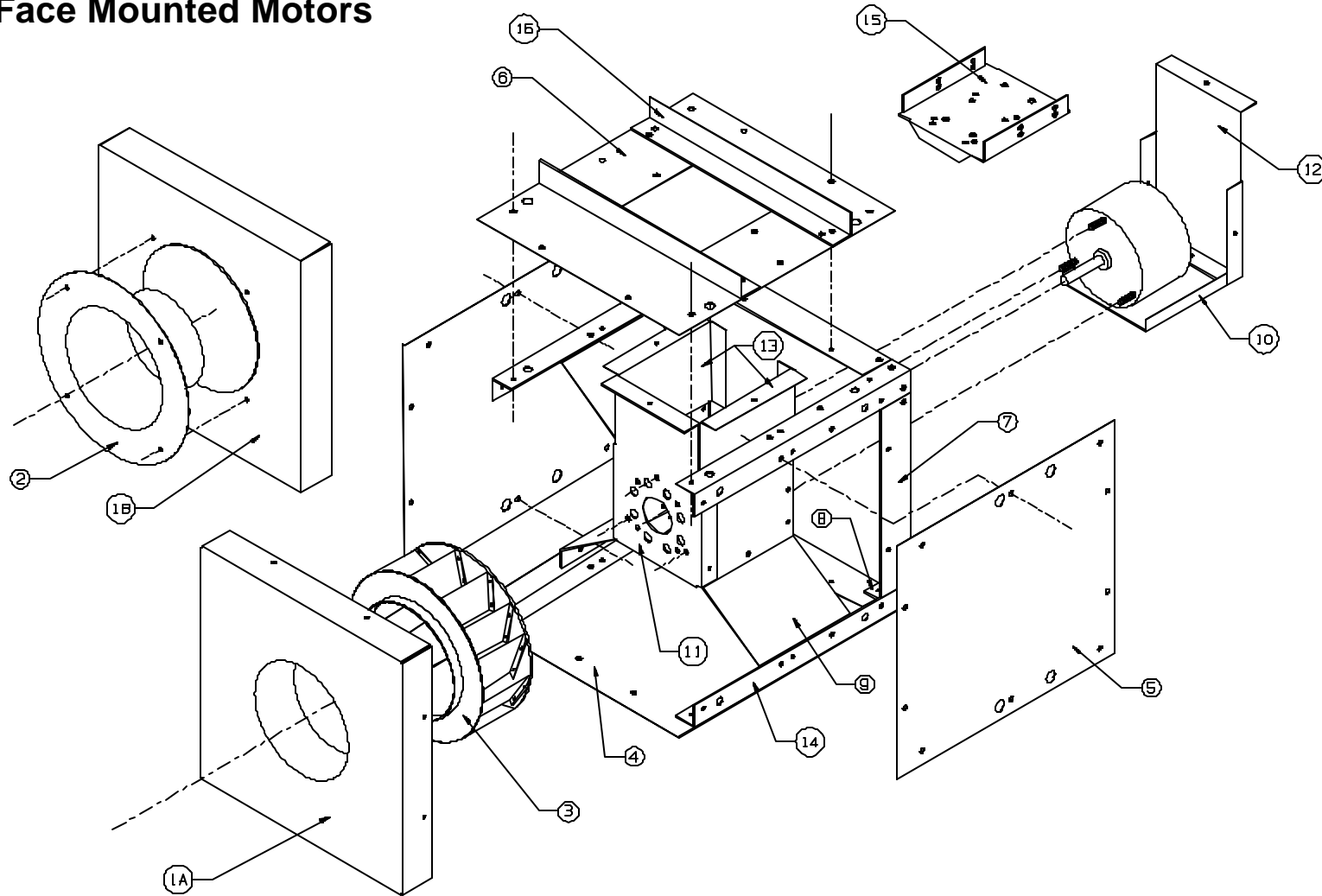




SQDA 06 to 12 Square In-Line Centrifugal Fans with Face Mounted Motors

ILG Industries
Division



AMERICAN COOLAIR CORPORATION

GENERAL OFFICE, JACKSONVILLE, FLORIDA 32203-2300 ~ (904) 389 3646 ~ FAX (904) 387 3449 ~ E-MAIL: fans@coolair.com
VANE AXIAL FANS ~ TUBE AXIAL FANS ~ PROPELLER FANS ~ POWER ROOF VENTILATORS ~ CENTRIFUGAL VENTILATORS
MEMBER OF AMCA



SQDA 06 to 12 Square In-Line
Centrifugal Fans with
Face Mounted Motors

ILG Industries
Division

No.	Name of Part	Part No.			
		06	08	10	12
1A	Spun Inlet Panel	169-179-1	169-179-2	169-179-3	-----
1B	Inlet Panel	-----			169-170-1
2	Spun Inlet Bell	-----			155-9-1
3	Wheel Assembly	235-127-1	235-128-1	235-129-1	235-130-1
4	Bottom Housing Sheet	151-193-1			151-194-1
5	Side Housing Sheet	151-193-2			151-194-2
6	Top Housing Sheet	151-193-3			151-194-4
7	Duct Connector	133-3-1			133-3-2
8	Duct Connector Clip	122-63-1			
9	Drive Box Support	188-88-1			188-89-1
10	Drive Box Bottom	130-1-1			130-5-1
11	Drive Box Front	130-2-1			130-6-1
12	Drive Box Rear	130-3-1			130-6-2
13	Drive Box Side	130-4-1			130-9-2
14	Corner Angle	102-201-1			102-202-1
15	Motor/Bearing Plate	-----			161-178-1
16	Support Angle	-----			102-200-1

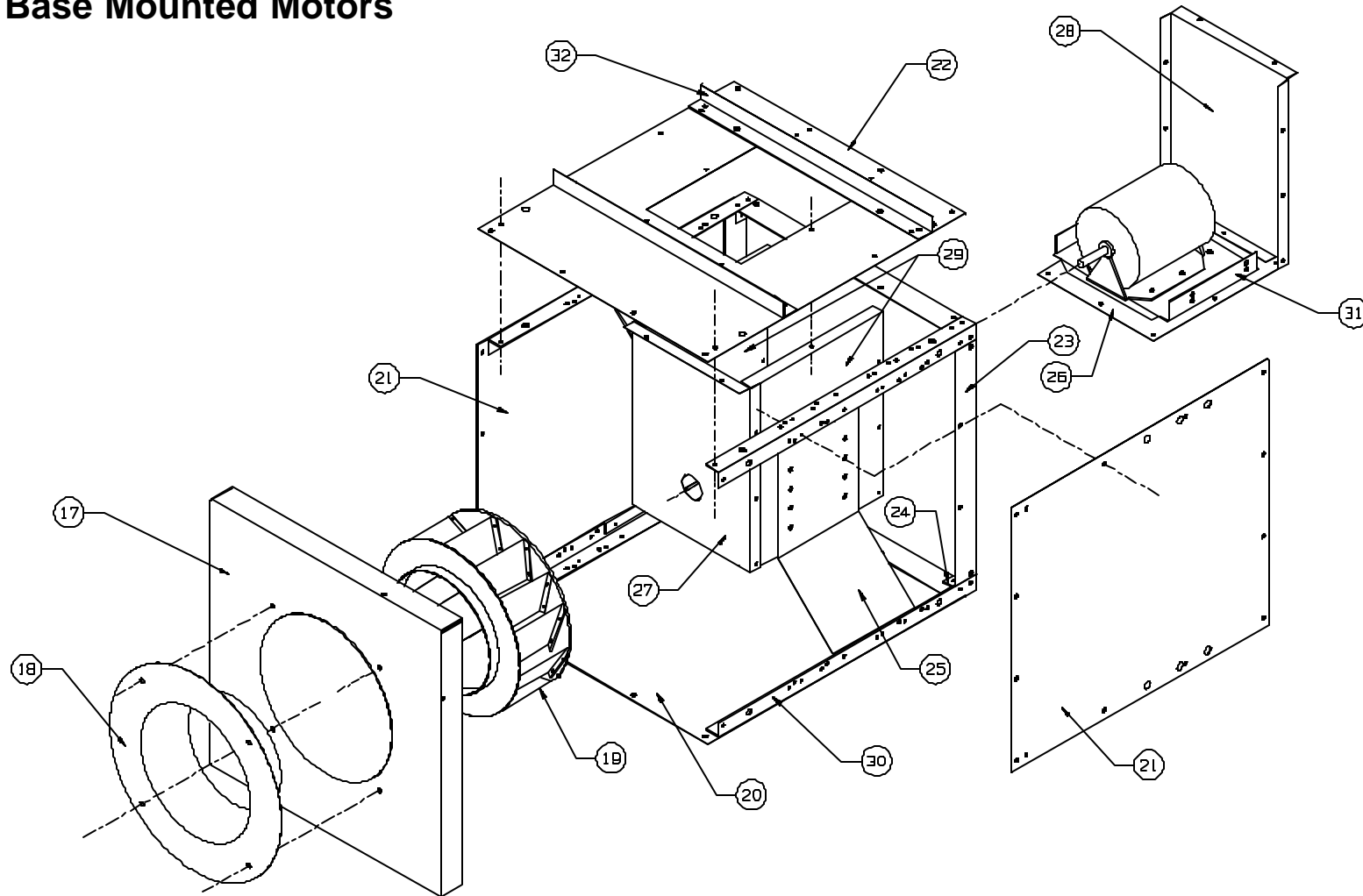
AMERICAN COOLAIR CORPORATION

GENERAL OFFICE, JACKSONVILLE, FLORIDA 32203-2300 ~ (904) 389 3646 ~ FAX (904) 387 3449 ~ E-MAIL: fans@coolair.com
VANE AXIAL FANS ~ TUBE AXIAL FANS ~ PROPELLER FANS ~ POWER ROOF VENTILATORS ~ CENTRIFUGAL VENTILATORS
MEMBER OF AMCA



SQDA 12 to 18 Square In-Line
Centrifugal Fans with
Base Mounted Motors

ILG Industries
Division



AMERICAN COOLAIR CORPORATION

GENERAL OFFICE, JACKSONVILLE, FLORIDA 32203-2300 ~ (904) 389 3646 ~ FAX (904) 387 3449 ~ E-MAIL: fans@coolair.com
VANE AXIAL FANS ~ TUBE AXIAL FANS ~ PROPELLER FANS ~ POWER ROOF VENTILATORS ~ CENTRIFUGAL VENTILATORS
MEMBER OF AMCA



**SQDA 12 to 18 Square In-Line
Centrifugal Fans with
Base Mounted Motors**

**ILG Industries
Division**

No.	Name of Part	12	13	15	16	18
		Part No.				
17	Inlet Panel	169-170-1	169-170-2	169-170-3	169-171-1	169-171-2
18	Spun Inlet Bell	155-9-1	155-9-2	155-9-3	155-9-4	155-9-5
19	Wheel Assembly	235-130-2	235-131-2	235-132-2	235-133-2	235-134-2
20	Bottom Housing Sheet	151-194-1	151-195-1	151-196-1	151-197-1	151-198-1
21	Side Housing Sheet	151-194-2	151-195-2	151-196-2	151-197-2	151-198-2
22	Top Housing Sheet	151-194-4	151-195-4	151-196-4	151-197-6	151-198-4
23	Duct Connector	133-3-2	133-3-3	133-3-4	133-4-1	133-4-2
24	Duct Connector Clip	122-63-1				
25	Drive Box Support	188-89-1	188-90-1	188-90-2	188-90-6	188-90-4
26	Drive Box Bottom	130-5-1				
27	Drive Box Front	130-6-1	130-6-3	130-6-5	130-6-9	130-7-1
28	Drive Box Rear	130-6-2	130-6-4	130-6-6	130-6-10	130-7-2
29	Drive Box Side	130-9-2	130-9-4	130-9-6	130-9-10	130-10-2
30	Corner Angle	102-202-1	102-203-1	102-203-2	102-203-1	102-203-2
31	Motor/Bearing Plate	161-178-1				
32	Support Angle	102-200-1	102-200-2	102-200-3	102-200-4	102-200-5

AMERICAN COOLAIR CORPORATION

GENERAL OFFICE, JACKSONVILLE, FLORIDA 32203-2300 ~ (904) 389 3646 ~ FAX (904) 387 3449 ~ E-MAIL: fans@coolair.com
 VANE AXIAL FANS ~ TUBE AXIAL FANS ~ PROPELLER FANS ~ POWER ROOF VENTILATORS ~ CENTRIFUGAL VENTILATORS
 MEMBER OF AMCA