



Type RIBA & RIDA Centrifugal Duct Fans



Application

Type RIBA and RIDA fans are suited to meet your ducted fan needs both economically and efficiently. They are designed to operate reliably in most environments.

Construction

The fan housing and motor supports are made of heavy gauge steel plate for maximum strength and durability. The overlapping deep-spun venturi minimizes air turbulence and increases efficiency.

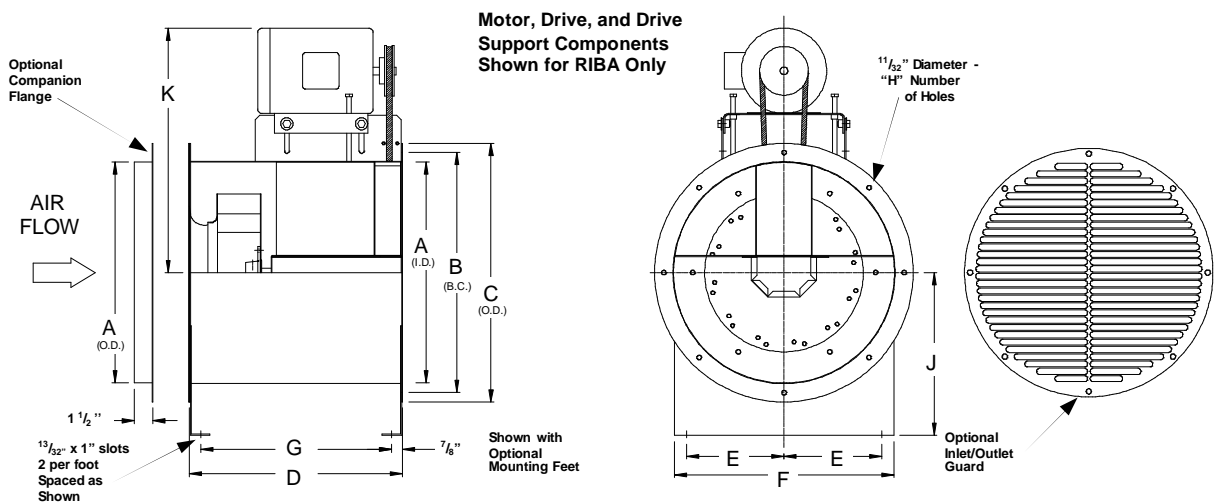
The aluminum centrifugal wheel is a non-overloading, backward-inclined type, selected for low noise levels.

Painted parts are coated with epoxy to provide a protective coating rated excellent for hardness, impact resistance, adhesion and chemical resistance. Contact factory for protective coating options.

Drive mechanism

BELT DRIVE: Available in sizes 06 to 15. Belt driven models are designed for quieter operation and lower initial cost. They use standardly available 1750 RPM motors.

DIRECT DRIVE: Available in sizes 06 to 15. Direct driven models require less maintenance, offer longer operating life, and reduce operating costs.



Fan Model	A	B	C	D	E	F	G	H	J	K	Casing Gauge	Outlet Area Sq. Ft.
RIBA06-10	16 1/8	17 3/8	18 1/4	16 1/2	5 15/16	13 7/8	14 3/4	8	11 5/16	20	14	1.42
RIBA12-15	24 1/8	25 1/2	26 1/2	20 3/4	6 1/4	14 1/2	19	12	16 5/16	27	14	3.17
RIDA06-10	16 1/8	17 3/8	18 1/4	14	5 15/16	13 7/8	12 1/4	8	11 5/16	—	14	1.42
RIDA12-15	24 1/8	25 1/2	26 1/2	18	6 1/4	14 1/2	16 1/4	12	16 5/16	—	14	3.17

Dimensions in inches

RIBA Performance Ratings

Item No.	Cubic Feet Per Minute (CFM) at Static Pressure ¹									Fan Model	Fan Size	Motor HP	Fan RPM	MAX BHP ²	Sone Rating ³
	0"	1/8"	1/4"	3/8"	1/2"	3/4"	1"	1 1/2"	2"						
1	374	336	296	261	---	---	---	---	---	RIBA06GD1	06	1/4	1417	0.05	6.9
2	472	443	409	378	351	291	---	---	---	RIBA06GD2					
3	553	529	502	472	446	400	348	---	---	RIBA06GD3					
4	618	597	574	547	521	477	436	---	---	RIBA06GD4					
5	518	489	466	424	---	---	---	---	---	RIBA08GD1	08	1/4	1417	0.06	7.1
6	654	629	610	592	565	---	---	---	---	RIBA08GD2					
7	766	744	727	711	696	646	---	---	---	RIBA08GD3					
8	856	835	819	805	791	760	707	---	---	RIBA08H					
9	633	583	534	507	---	---	---	---	---	RIBA10GD1	10	1/4	1417	0.07	7.7
10	798	759	719	679	655	---	---	---	---	RIBA10GD2					
11	936	902	869	834	800	759	---	---	---	RIBA10GD3					
12	1,046	1,015	985	955	924	872	841	---	---	RIBA10H					
13	1,458	1,389	1,317	1,241	1,158	957	---	---	---	RIBA12G	12	1/4	1402	0.23	10.9
14	1,626	1,563	1,500	1,433	1,364	1,203	1,013	---	---	RIBA12H					
15	1,850	1,796	1,740	1,683	1,625	1,499	1,351	---	---	RIBA12J					
16	2,130	2,083	2,035	1,986	1,937	1,834	1,723	1,456	---	RIBA12K					
17	2,299	2,255	2,211	2,166	2,120	2,027	1,929	1,701	1,432	RIBA12L	1	2210	0.92	24	
18	2,666	2,628	2,590	2,552	2,513	2,434	2,353	2,181	1,980	RIBA12M	1 1/2	2563	1.44	31	
19	1,601	1,514	1,419	1,315	1,199	901	---	---	---	RIBA13G	13	1/4	1186	0.21	9.9
20	1,819	1,744	1,663	1,576	1,483	1,267	983	---	---	RIBA13H					
21	2,037	1,969	1,899	1,824	1,745	1,571	1,364	---	---	RIBA13J					
22	2,328	2,270	2,209	2,146	2,080	1,939	1,783	1,392	---	RIBA13K					
23	2,620	2,568	2,514	2,459	2,403	2,283	2,155	1,861	1,482	RIBA13L	1	1941	0.93	23	
24	3,026	2,981	2,936	2,889	2,841	2,742	2,638	2,411	2,150	RIBA13M	1 1/2	2242	1.44	30	
25	2,002	1,903	1,794	1,673	1,536	---	---	---	---	RIBA15H	15	1/3	1119	0.30	9.7
26	2,335	2,251	2,161	2,065	1,960	1,718	---	---	---	RIBA15J					
27	2,669	2,596	2,520	2,439	2,353	2,165	1,946	---	---	RIBA15K					
28	2,920	2,853	2,784	2,712	2,636	2,473	2,290	---	---	RIBA15L					
29	3,215	3,155	3,093	3,028	2,962	2,820	2,665	2,303	---	RIBA15M	1 1/2	1797	1.24	22	
30	3,639	3,586	3,532	3,476	3,419	3,299	3,171	2,887	2,549	RIBA15N	2	2034	1.80	27	

RIDA Performance Ratings

Item No.	Cubic Feet Per Minute (CFM) at Static Pressure ¹									Fan Model	Fan Size	Motor HP	Fan RPM	MAX BHP ²	Sone Rating ³
	0"	1/8"	1/4"	3/8"	1/2"	5/8"	3/4"	1"	1 1/4"						
1	311	271	---	---	---	---	---	---	---	RIDA06H11	06	1/3	1180	0.03	4.3
2	465	428	410	389	357	317	288	---	---	RIDA06F17					
3	429	389	343	---	---	---	---	---	---	RIDA08H11	08	1/3	1180	0.03	4.9
4	642	617	589	558	528	495	443	---	---	RIDA08F17					
5	574	511	431	---	---	---	---	---	---	RIDA10H11	10	1/3	1180	0.04	5.7
6	859	816	774	731	680	602	526	---	---	RIDA10F17					
7	1223	1135	1046	952	832	---	---	---	---	RIDA12H11	12	1/3	1180	0.13	8.0
8	1813	1754	1695	1636	1576	1515	1452	1304	---	RIDA12J17					
9	1557	1462	1355	1240	1121	977	---	---	---	RIDA13H11	13	1/3	1150	0.18	8.2
10	2370	2309	2245	2179	2109	2035	1960	1806	1643	RIDA13K17					
11	2028	1930	1821	1700	1565	1413	---	---	---	RIDA15H11	15	1/3	1125	0.31	9.3
12	3110	3047	2982	2914	2844	2770	2693	2526	2344	RIDA15L17					

1 — Performance ratings shown are for Installation Type B : Free inlet, Ducted outlet.

2 — Maximum Brake Horsepower (BHP) within the catalog performance range. BHP does not include drive losses.

3 — The sound ratings shown are loudness values in fan sones at 5 ft. (1.5m) in a hemispherical free field calculated per AMCA Standard 301.

Values shown are for Installation Type B: free inlet fan sone levels. The sound ratings shown are at 0" static pressure.

NOTE: BHP and sone values at most static pressures listed is less than that shown, in some cases substantially less. For specific BHP and sound values at individual static pressure points contact your American Coolair representative.