

Type RIBA

Belt Drive Round In-Line Centrifugal Fans



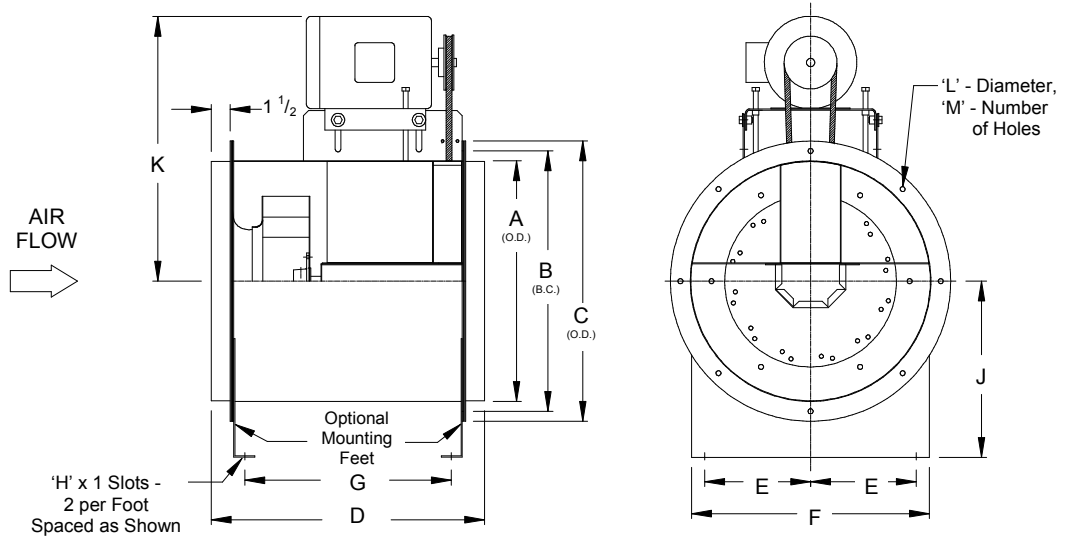
P.O. Box 2300 Jacksonville, Florida 32203
 Phone: (904) 389-3646
 Fax: (904) 387-3449 • (904) 381-7560
 E-mail: fans@coolair.com
 Internet: americancoolair.com

Standard Fan Features

- Non-overloading aluminum wheel computer balanced
- Overlapping wheel/inlet venturi
- Operates reliably in hostile environments
- Motor, belts and bearings isolated from airstream
- Heavy gauge steel plate construction
- Heavy duty pillow block ball bearings
- Variable pitch pulleys

Dimensions

- 'A' — Inside diameter of the duct section
- 'B' — Bolt hole center diameter
- 'C' — Outside diameter of the flange
- 'D' — Overall length of the duct section
- 'E' — Distance between center points of the horizontal slots in the mounting feet accessory
- 'F' — Overall width of the mounting feet accessory
- 'G' — Distance between center lines of the slots in the mounting feet accessory
- 'H' — Width of the 1" long slots in the mounting feet accessory
- 'J' — Distance from the fan center line to the bottom of the mounting feet accessory
- 'K' — Maximum distance from the fan center line to the top of the motor
- 'L' — Diameter of the flange holes
- 'M' — Number of flange holes



Abbreviations for Accessories

- DG — Drive guard
- OG — Outlet guard
- MC — Motor cover
- MF — Mounting feet
- DS — Safety disconnect switch (specify voltage)
- EPX — 6 mil epoxy finish
- EL — Extended lube lines (Fan Bearings)

Fan Size	A	B	C	D	E	F	G	H	J	K	L	M	Outlet Area Sq. Ft.
06-10	16 1/8	17 3/8	18 1/4	19 1/2	5 15/16	13 7/8	14 3/4	13/32	12 1/8	20	11/32	8	1.42
12-15	24 1/8	25 1/2	26 1/2	23 3/4	6 1/4	14 1/2	19	13/32	16 5/16	27	11/32	12	3.17
16-18	30 3/8	32 1/8	34 1/4	26	10 1/2	24 1/4	24 3/8	17/32	19 3/8	31 3/4	9/16	16	4.99
20	36 3/8	38 1/8	40 1/2	26	12 1/2	28 1/4	24 3/8	17/32	22 3/8	34 1/4	9/16	16	7.14
24	42 3/8	44 3/16	46 3/4	33 3/4	15	33 1/4	32	17/32	25 3/8	37 5/8	9/16	24	9.71
30	48 3/8	50 1/2	53	36 5/8	17 3/8	38	34 7/8	17/32	29 3/8	41 7/8	9/16	24	12.66
36	54 3/8	56 1/2	59 1/4	40 3/8	24	51 1/4	38 5/8	17/32	33 1/8	44 3/4	9/16	24	15.98
44	66 3/8	69	72	45 1/4	29 1/4	61 3/4	43 1/2	17/32	40 1/8	51 1/8	9/16	24	23.85

Specifications

Dimensions in inches

FAN DATA							MOTOR DATA						ACCESSORIES AND REMARKS
FAN NO.	QTY.	MODEL NO.	CFM	SP	RPM	SONES	HP	RPM	VOLTAGE	PH	HZ	ENCLOSURE	

PROJECT _____ ENGINEER _____ SUBMITTED BY _____ DATE _____
 LOCATION _____ CONTRACTOR _____ APPROVED BY _____ DATE _____