

# Type MXF

## Belt Drive, Mixed Flow Fan



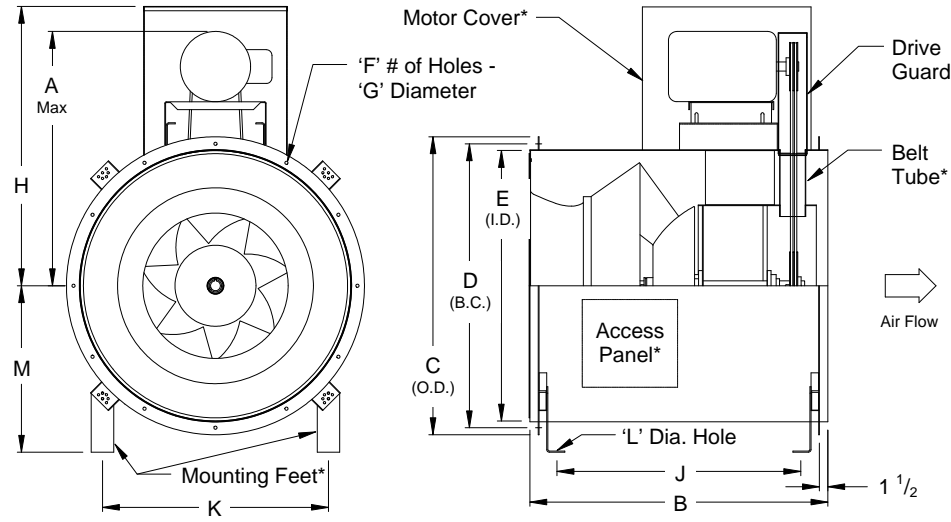
P.O. Box 2300 Jacksonville, Florida 32203  
 Phone: (904) 389-3646  
 Fax: (904) 387-3449 • (904) 381-7560  
 E-mail: fans@coolair.com  
 Web: americancoolair.com

### Standard Fan Features

- Operates reliably in hostile environments
- Motor isolated from airstream
- Heavy gauge steel plate construction
- Steel mixed flow wheel with line bore hub
- Heavy duty flange mount ball bearings
- External re-lubrication fan bearing fittings
- Variable pitch pulleys (most models)
- UL Listed for Standard 705 or Standard 793 (most models)

### Abbreviations for Accessories

- IG/OG – Inlet or Outlet Guard
- MF – Mounting Feet
- MC – Motor Cover
- DG – Drive Guard
- BT – Belt Tube
- EPX – 6 Mil Epoxy Finish
- AP – Access Panel



### Dimensions

Dimension "A" is the max. distance from the wheel center line to the top of the motor.  
 Dimension "B" is overall length of the duct section.  
 Dimension "C" is the O.D. of the flange.  
 Dimension "D" is bolt hole center to bolt hole center.  
 Dimension "E" is the I.D. of the duct section.  
 Dimension "F" is the number of flange bolt holes.  
 Dimension "G" is the diameter of the flange bolt holes.  
 Dimension "H" is the distance from the wheel center line to the top of the motor cover.  
 Dimension "J" is the axial distance between center points of the holes in the mounting feet.  
 Dimension "K" is the width between center points of the holes in the mounting feet.  
 Dimension "L" is the diameter of the mounting hole in the mounting feet.  
 Dimension "M" is the distance from the bottom of the mounting feet to the fan centerline.

Drawing of belt and drive are schematic. Single belts are used on smaller sizes and HPs.

\* - Optional Accessory

Size	A	B	C	D	E	F	G	H	J	K	L	M	Access Panel
9	18 <sup>3</sup> / <sub>4</sub>	18 <sup>3</sup> / <sub>4</sub>	14 <sup>13</sup> / <sub>16</sub>	13 <sup>1</sup> / <sub>8</sub>	12 <sup>1</sup> / <sub>8</sub>	8	<sup>3</sup> / <sub>8</sub>	19 <sup>1</sup> / <sub>8</sub>	12 <sup>9</sup> / <sub>16</sub>	13	<sup>13</sup> / <sub>32</sub>	10 <sup>1</sup> / <sub>8</sub>	4 x 6 <sup>3</sup> / <sub>8</sub>
13	21 <sup>5</sup> / <sub>8</sub>	20 <sup>3</sup> / <sub>4</sub>	18 <sup>13</sup> / <sub>16</sub>	17 <sup>3</sup> / <sub>8</sub>	16 <sup>1</sup> / <sub>8</sub>	8	<sup>3</sup> / <sub>8</sub>	22 <sup>3</sup> / <sub>8</sub>	14 <sup>9</sup> / <sub>16</sub>	15 <sup>7</sup> / <sub>8</sub>	<sup>13</sup> / <sub>32</sub>	11 <sup>9</sup> / <sub>16</sub>	5 x 7
18	29 <sup>7</sup> / <sub>8</sub>	30 <sup>1</sup> / <sub>8</sub>	23 <sup>15</sup> / <sub>16</sub>	22 <sup>5</sup> / <sub>8</sub>	21 <sup>1</sup> / <sub>8</sub>	8	<sup>3</sup> / <sub>8</sub>	30 <sup>1</sup> / <sub>8</sub>	23 <sup>7</sup> / <sub>16</sub>	19 <sup>7</sup> / <sub>16</sub>	<sup>13</sup> / <sub>32</sub>	13 <sup>3</sup> / <sub>8</sub>	6 x 9 <sup>1</sup> / <sub>4</sub>
21	32	32	27 <sup>15</sup> / <sub>16</sub>	25 <sup>7</sup> / <sub>8</sub>	24 <sup>1</sup> / <sub>8</sub>	12	<sup>9</sup> / <sub>16</sub>	32 <sup>3</sup> / <sub>4</sub>	25 <sup>5</sup> / <sub>16</sub>	21 <sup>11</sup> / <sub>16</sub>	<sup>13</sup> / <sub>32</sub>	14 <sup>1</sup> / <sub>2</sub>	7 x 10 <sup>1</sup> / <sub>2</sub>
27	37 <sup>1</sup> / <sub>8</sub>	38	34 <sup>3</sup> / <sub>16</sub>	32 <sup>1</sup> / <sub>8</sub>	30 <sup>1</sup> / <sub>8</sub>	16	<sup>9</sup> / <sub>16</sub>	37 <sup>1</sup> / <sub>16</sub>	28 <sup>5</sup> / <sub>8</sub>	27 <sup>7</sup> / <sub>16</sub>	<sup>9</sup> / <sub>16</sub>	20 <sup>3</sup> / <sub>4</sub>	8 x 13 <sup>1</sup> / <sub>8</sub>
32	40 <sup>5</sup> / <sub>8</sub>	42 <sup>1</sup> / <sub>2</sub>	40 <sup>1</sup> / <sub>2</sub>	38 <sup>1</sup> / <sub>8</sub>	36 <sup>1</sup> / <sub>8</sub>	16	<sup>9</sup> / <sub>16</sub>	42 <sup>3</sup> / <sub>16</sub>	32 <sup>1</sup> / <sub>8</sub>	31 <sup>11</sup> / <sub>16</sub>	<sup>9</sup> / <sub>16</sub>	22 <sup>7</sup> / <sub>8</sub>	10 x 15 <sup>3</sup> / <sub>4</sub>
38	45 <sup>7</sup> / <sub>16</sub>	47 <sup>3</sup> / <sub>8</sub>	46 <sup>3</sup> / <sub>4</sub>	44 <sup>3</sup> / <sub>16</sub>	42 <sup>1</sup> / <sub>8</sub>	24	<sup>9</sup> / <sub>16</sub>	46 <sup>1</sup> / <sub>16</sub>	39	35 <sup>15</sup> / <sub>16</sub>	<sup>9</sup> / <sub>16</sub>	25	12 x 18 <sup>3</sup> / <sub>8</sub>
43	48 <sup>11</sup> / <sub>16</sub>	53 <sup>1</sup> / <sub>2</sub>	53	50 <sup>1</sup> / <sub>2</sub>	48 <sup>1</sup> / <sub>8</sub>	24	<sup>9</sup> / <sub>16</sub>	49 <sup>11</sup> / <sub>16</sub>	44 <sup>1</sup> / <sub>8</sub>	40 <sup>3</sup> / <sub>16</sub>	<sup>9</sup> / <sub>16</sub>	27 <sup>1</sup> / <sub>8</sub>	12 x 21

Check Here for UL 705

Check Here for UL 793

Dimensions in inches

### Specifications

FAN NO.	QTY.	FAN DATA					MOTOR DATA						ACCESSORIES AND REMARKS
		MODEL NO.	CFM	SP	RPM	SONES	HP	RPM	VOLTAGE	PH	HZ	ENCLOSURE	

PROJECT \_\_\_\_\_ ENGINEER \_\_\_\_\_ SUBMITTED BY \_\_\_\_\_ DATE \_\_\_\_\_

LOCATION \_\_\_\_\_ CONTRACTOR \_\_\_\_\_ APPROVED BY \_\_\_\_\_ DATE \_\_\_\_\_