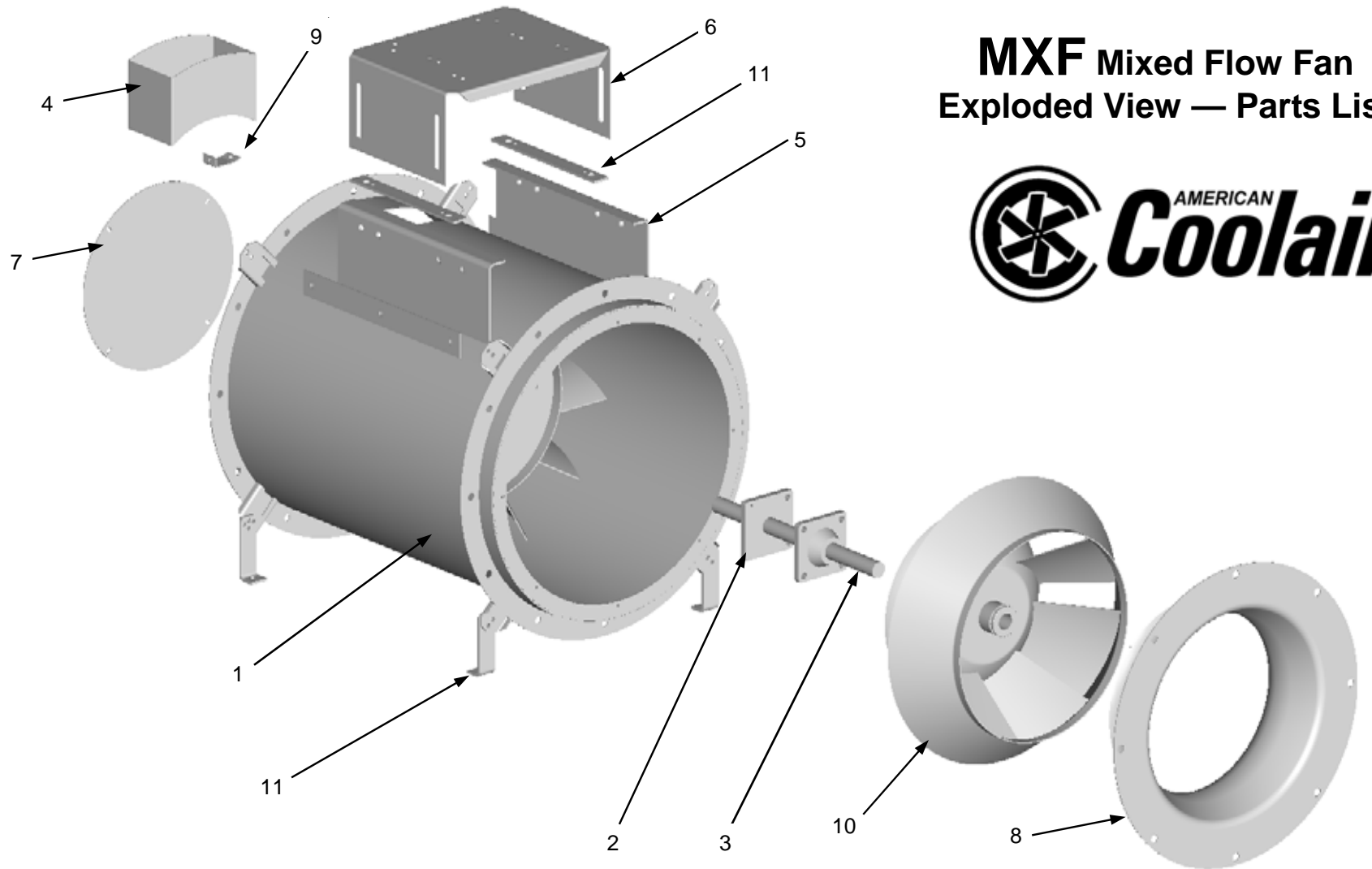


MXF Mixed Flow Fan Exploded View — Parts List



PART	DESCRIPTION	QTY	MXF9	MXF13	MXF18	MXF21	MXF27	MXF32	MXF38	MXF43
1	Fan Assembly	1	CALL	CALL	CALL	CALL	CALL	CALL	CALL	CALL
2	Flange Bearings	2	1233.1	1233.1	1233.3	1233.4	1233.4	1233.6	1233.6	1233.6
3	Shaft	1	14-180-36-8	14-180-36-8	14-180-1-20	15-180-36-4	15-180-36-2	14-180-1-16	14-180-1-8	14-180-1-14
4	Belt Tube (Optional)	1	14-110-26-1	14-110-26-2	14-110-26-3	14-110-26-4	14-110-26-5	14-110-26-6	14-110-26-7	14-110-26-8
5	Motor Bracket Supports	2	14-188-140-1	14-188-140-2	—	—	—	—	—	—
6	Motor Bracket 56 thru 210 frame	1	14-161-204-1	14-161-204-1	14-161-229-1	14-161-229-1	14-161-230-1	14-161-230-1	14-161-230-1	14-161-230-1
	Motor Bracket 250 thru 280 frame		—	—	—	—	14-161-231-1	14-161-231-1	14-161-231-1	14-161-231-1
7	Bearing Tube End Cover	1	14-126-93-1	14-126-93-2	14-126-93-3	14-126-93-4	14-126-93-5	14-126-93-6	14-126-93-7	14-126-93-8
8	Spun Inlet	1	14-155-13-1	14-155-13-2	14-155-13-3	14-155-13-4	14-155-13-5	14-155-13-6	14-155-13-7	14-155-13-8
9	Tensioner Plates	2	14-168-23-1	14-168-23-2	—	—	—	—	—	—
10	Wheel	1	15-235-227-1	15-235-228-1	15-235-229-1	15-235-230-1	15-235-231-1	15-235-232-1	15-235-233-1	15-235-234-1
11	Mounting Bracket Feet (Optional)	4	14-184-34-1	14-184-34-1	14-184-34-1	14-184-34-1	14-184-34-2	14-184-34-2	14-184-34-2	14-184-34-2
12	Retainer Strips	2	—	—	14-185-8-1	14-185-8-1	14-185-7-1	14-185-7-1	14-185-7-1	14-185-7-1

MIXED FLOW EXPLODED VIEW PARTS

CODE	DESCRIPTION	QTY	MXF9	MXF13	MXF18	MXF21	MXF27	MXF32	MXF38	MXF43
1	Fan Assembly	1	—	—	—	—	—	—	—	—
2	Flange Bearings	2	1233.1	1233.1	1233.3	1233.4	1233.4	1233.6	1233.6	1233.6
3	Shaft	1	14-180-36-8	14-180-36-8	14-180-1-20	15-180-36-4	15-180-36-2	14-180-1-16	14-180-1-8	14-180-1-14
4	Belt Tube (Optional)	1	14-110-26-1	14-110-26-2	14-110-26-3	14-110-26-4	14-110-26-5	14-110-26-6	14-110-26-7	14-110-26-8
5	Motor Bracket Supports	2	14-188-140-1	14-188-140-2	—	—	—	—	—	—
6	Motor Bracket 56 thru 210 frame	1	14-161-204-1	14-161-204-1	14-161-229-1	14-161-229-1	14-161-230-1	14-161-230-1	14-161-230-1	14-161-230-1
	Motor Bracket 250 thru 280 frame		—	—	—	—	14-161-231-1	14-161-231-1	14-161-231-1	14-161-231-1
7	Bearing Tube End Cover	1	14-126-93-1	14-126-93-2	14-126-93-3	14-126-93-4	14-126-93-5	14-126-93-6	14-126-93-7	14-126-93-8
8	Spun Inlet	1	14-155-13-1	14-155-13-2	14-155-13-3	14-155-13-4	14-155-13-5	14-155-13-6	14-155-13-7	14-155-13-8
9	Tensioner Plates	2	14-168-23-1	14-168-23-2	—	—	—	—	—	—
10	Wheel	1	15-235-227-1	15-235-228-1	15-235-229-1	15-235-230-1	15-235-231-1	15-235-232-1	15-235-233-1	15-235-234-1
11	Mounting Bracket Feet (Optional)	4	14-184-34-1	14-184-34-1	14-184-34-1	14-184-34-1	14-184-34-2	14-184-34-2	14-184-34-2	14-184-34-2
12	Retainer Strips	2	—	—	14-185-8-1	14-185-8-1	14-185-7-1	14-185-7-1	14-185-7-1	14-185-7-1