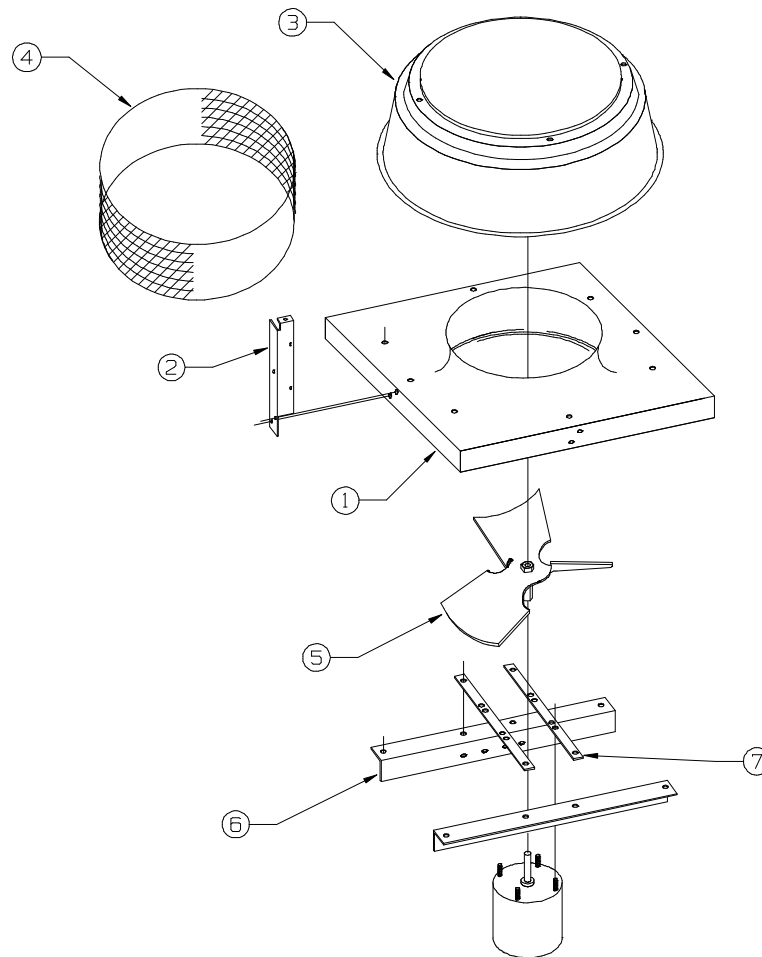




SAED/SASD 12 to 20
Spun Axial Roof Ventilators

ILG Industries



No.	Name of Part	12	16	20	
		Part No.			
1	Formed Inlet Base	128-72-1	128-72-2	128-72-3	
2	Dome Support Bracket	188-123-1	188-124-1	188-124-2	
3	Dome	178-8-1	178-14-1	2112-2409A	
4	Birdscreen	197-72-1	197-72-2	197-72-3	
5	Blade Assembly	SAED			
		5/16" Bore	235-179-2	—————	
		1/2" Bore	—————	235-180-1	235-181-1
		5/8" Bore	—————	235-180-2	235-181-2
		SASD			
		5/16" Bore	235-185-2	—————	—————
6	Upright	193-95-1	193-95-2	193-95-3	
7	Motor Strap	185-49-1			

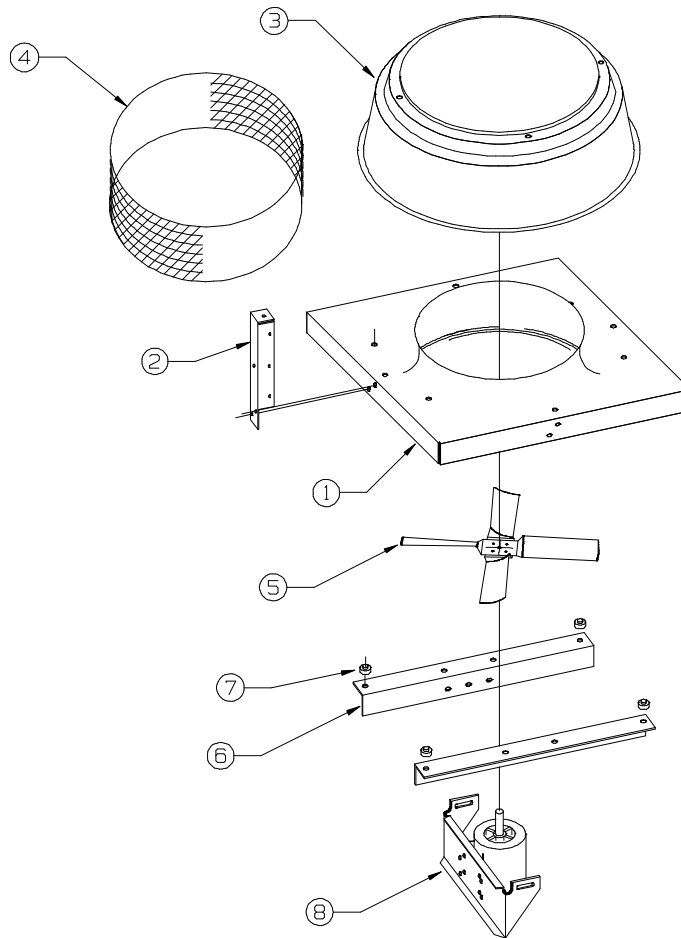
AMERICAN COOLAIR CORPORATION

GENERAL OFFICES, JACKSONVILLE, FLORIDA 32203-2300 ~ P.O. BOX 2300 ~ (904) 389 3646 ~ FAX (904) 387 3449 ~ E-MAIL - info@coolair.com
VANE AXIAL FANS ~ TUBE AXIAL FANS ~ PROPELLER FANS ~ POWER ROOF VENTILATORS ~ CENTRIFUGAL VENTILATORS
MEMBER OF AMCA



SAED/SASD 25 to 37 Spun Axial Roof Ventilators

ILG Industries



No.	Name of Part	Part No.				
		25	31	37		
1	Formed Inlet Base	128-73-1	128-73-2	128-74-1		
2	Dome Support Bracket	188-125-1	188-126-1	188-125-2		
3	Dome	2115-2402B	2118-2400C	2127-2408B		
4	Birdscreen	197-72-4	197-72-5	197-72-6		
5	Blade Assembly	SAED	1/2" Bore	235-182-1	—————	—————
			5/8" Bore	—————	235-183-2	235-184-2
		SASD	1/2" Bore	235-188-1	—————	—————
			5/8" Bore	—————	235-189-2	235-190-2
6	Upright	193-96-1	193-96-2	193-96-3		
7	Vibration Isolator	12-174-58-2				
8	Motor Bracket	161-15-1				

AMERICAN COOLAIR CORPORATION

GENERAL OFFICES, JACKSONVILLE, FLORIDA 32203-2300 ~ P.O. BOX 2300 ~ (904) 389 3646 ~ FAX (904) 387 3449 ~ E-MAIL – info@coolair.com
VANE AXIAL FANS ~ TUBE AXIAL FANS ~ PROPELLER FANS ~ POWER ROOF VENTILATORS ~ CENTRIFUGAL VENTILATORS
MEMBER OF AMCA