

AMERICAN COOLAIR CORPORATION

P. O. Box 2300, Jacksonville, Florida 32203
 Phone: 904-389-3646
 Fax: 904-387-3449
 E-mail: info@coolair.com

Extruded Aluminum Intake or Relief Vent Type LV

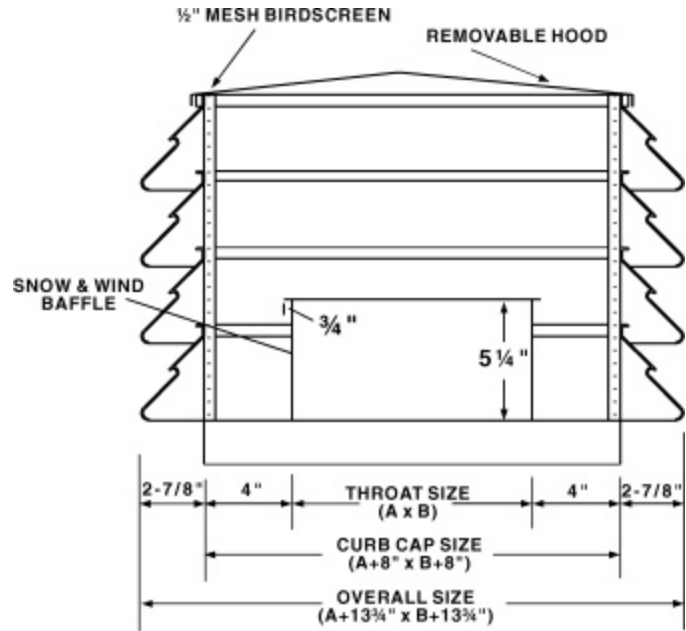
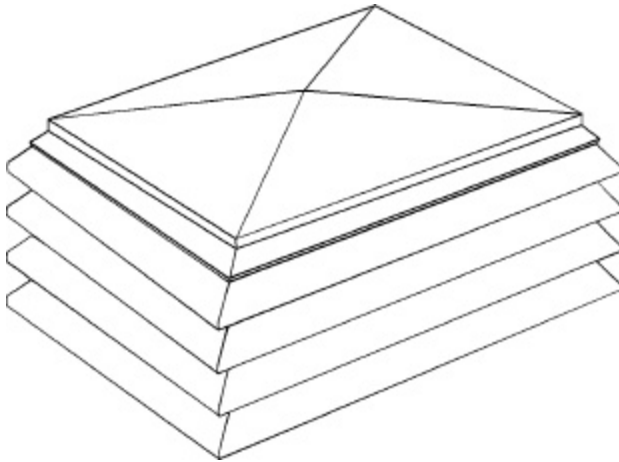
STANDARD FEATURES

Extruded aluminum louvers are .081" thick, precision mitered at corners and welded for maximum strength.
 Removable hood constructed of .050" aluminum, reinforced and braced for extra strength.
 Base constructed of .080" aluminum with mitered corners and seams that are continuous welded for strength and water tightness.
 Bird screen of 1/2x 1/2 mesh galvanized welded wire.

OPTIONS

- Anti-condensate undercoating.
- Hood insulated with 1" bat type fiberglass.
- Aluminum mesh cleanable filters, 1" or 2" thick.
- Aluminum insect screen in perimeter opening.
- Extra internal reinforcement and bracing.
- Protective or decorative coatings.

| | |
|--------------|----------|
| PROJECT | |
| LOCATION | |
| ARCHITECT | |
| ENGINEER | |
| CONTRACTOR | |
| SUBMITTED BY | |
| DATE | P.O. NO. |



SPECIFICATIONS AND DIMENSIONS

| REFERENCE | QUAN. | Throat Width A | Throat Length B | Hood Height E* | NO. TIERS | CFM | SP | OPTIONS |
|-----------|-------|-------------------|--------------------|-------------------|-----------|-----|----|---------|
| | | | | | | | | |

*HEIGHT = 3 1/2 TIMES NUMBER OF TIERS