

Type ARVE Gravity Ventilators



AMERICAN COOLAIR CORPORATION

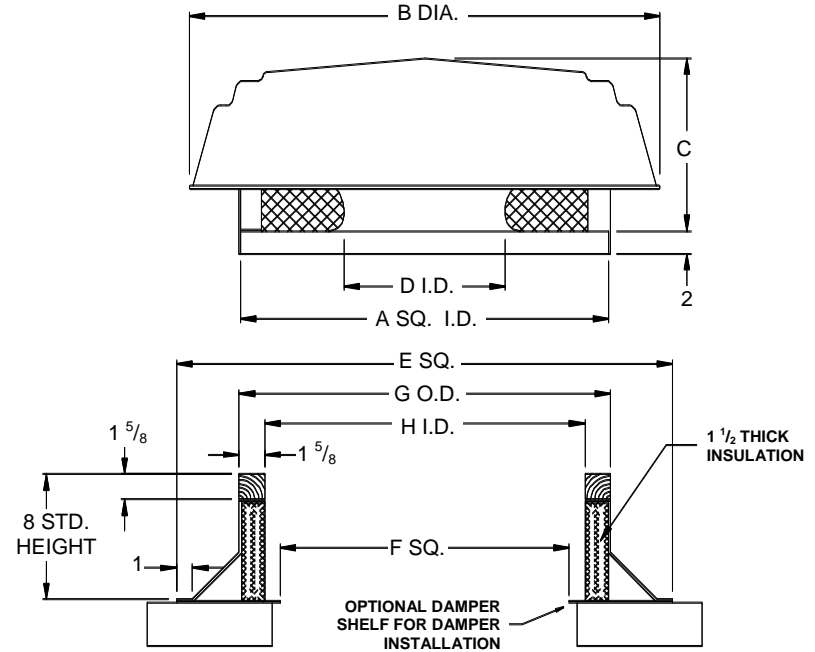
P.O. Box 2300 Jacksonville, Florida 32203
 Phone: (904) 389-3646
 Fax: (904) 387-3449 • (904) 381-7560
 E-mail: fans@coolair.com
 Website: www.coolair.com

Standard Features

- Low-silhouette design
- Round spun aluminum hood
- Heavy gauge hood supports
- Units used for intake are designed to maintain flow rates at or below 600 FPM to prevent entrainment of moisture
- Polypropylene mesh birdscreen

Optional Features

- Two types of shutters available:
 (a) automatic or gravity operated,
 (b) motor operated
- Prefabricated curbs
- 3 mil epoxy powder paint
- Insect screen



VENTILATOR DATA					ACCESSORIES AND REMARKS
TAG NO.	QTY.	MODEL NO.	CFM	Ps	

Unit Size	Ventilator Dimensions				Roof Curb Dimensions			
	A	B	C	D	E	F	G	H
12	18	20 7/8	13	12	24 1/2	11 1/4	16 1/2	13 1/4
16	23	28 5/8	12 3/8	16	29 1/2	16 1/4	21 1/2	18 1/4
20	30	39 5/8	15 3/8	20	36 1/2	23 1/4	28 1/2	25 1/4
25	34	43 5/8	16 3/4	25	40 1/2	27 1/4	32 1/2	29 1/4
31	40	48 5/8	18 1/8	31	46 1/2	33 1/4	38 1/2	35 1/4
37	46	62 7/8	22 1/8	37	52 1/2	39 1/4	44 1/2	41 1/4

Dimensions in inches

PROJECT _____ ENGINEER _____ SUBMITTED BY _____ DATE _____
 LOCATION _____ CONTRACTOR _____ APPROVED BY _____ DATE _____