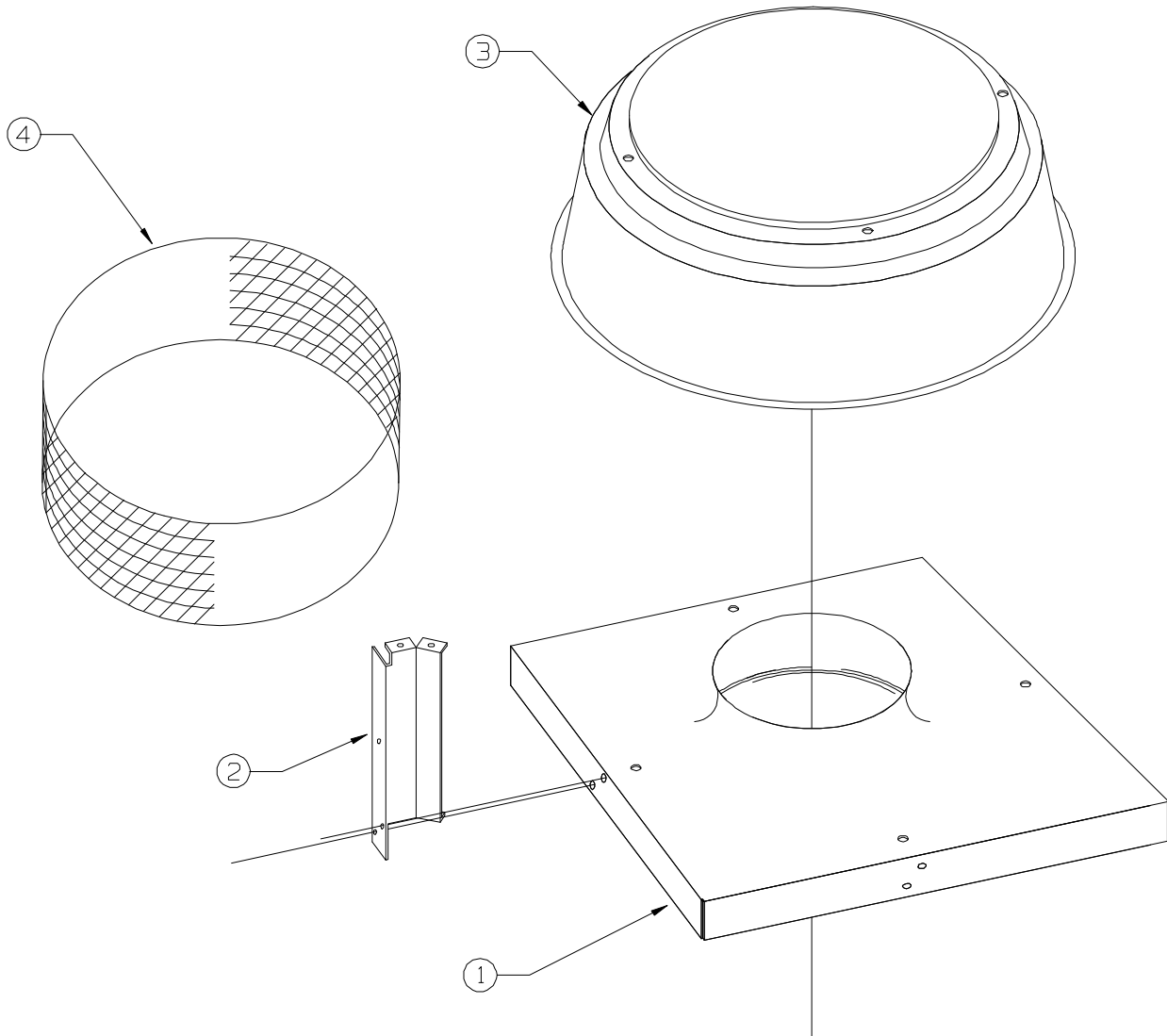




# ARVE 12 to 37 Gravity Ventilators

ILG Industries



| No. | Name of Part         | 12        | 16        | 20         | 25         | 31         | 37         |
|-----|----------------------|-----------|-----------|------------|------------|------------|------------|
|     |                      | Part No.  |           |            |            |            |            |
| 1   | Inlet Base           | 128-72-1  | 128-72-2  | 128-72-3   | 128-73-1   | 128-73-2   | 128-74-1   |
| 2   | Dome Support Bracket | 188-123-1 | 188-124-1 | 188-124-2  | 188-125-1  | 188-126-1  | 188-125-2  |
| 3   | Dome                 | 178-8-1   | 178-14-1  | 2112-2409A | 2115-2402B | 2118-2400C | 2127-2408B |
| 4   | Birdscreen           | 197-64-7  | 197-64-8  | 197-64-9   | 2124-5228  | 197-64-5   | 197-64-6   |

## AMERICAN COOLAIR CORPORATION

GENERAL OFFICES, JACKSONVILLE, FLORIDA 32203-2300 ~ P.O. BOX 2300 ~ (904) 389 3646 ~ FAX (904) 387 3449 ~ E-MAIL – info@coolair.com  
 VANE AXIAL FANS ~ TUBE AXIAL FANS ~ PROPELLER FANS ~ POWER ROOF VENTILATORS ~ CENTRIFUGAL VENTILATORS  
 MEMBER OF AMCA