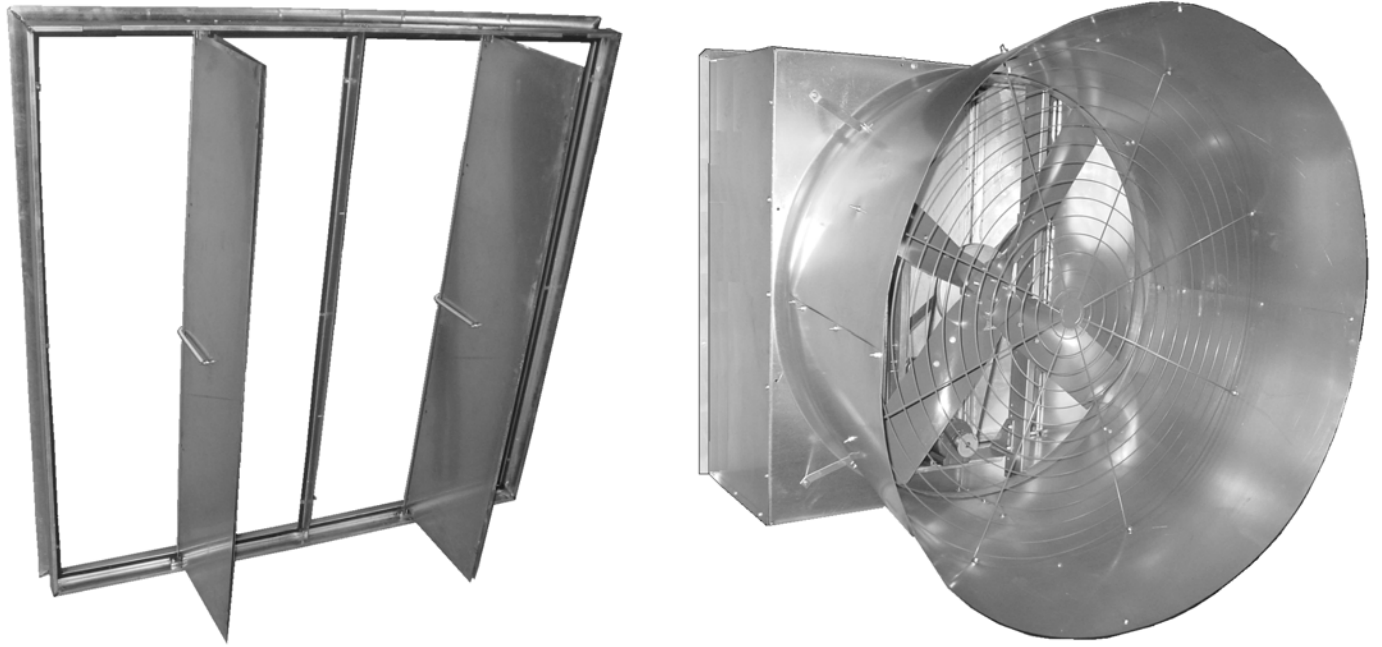


# CONTROLLED ENVIRONMENT SYSTEMS FOR FARM BUILDINGS



## TYPE NBC52, NCF52, AND NEF52 FAN WITH INLET DAMPER UNIT

### FARM PRODUCTS DIVISION



MEMBER OF AMCA  
AMERICAN COOLAIR CORPORATION  
BOX 2300, JACKSONVILLE, FL 32203  
Phone (904) 389-3646  
Fax (904) 387-3449  
E-MAIL – [agfans@coolair.com](mailto:agfans@coolair.com)  
WEBSITE – [www.coolair.com](http://www.coolair.com)



## MEANS PERFORMANCE WITH INLET DAMPER FAN UNITS



Now you can buy Coolair quality and our new Inlet Damper Fan Packages at a savings to you and your customers. Our unique Inlet Damper design provides both increased efficiency and convenience. The damper consists of 4 vertical doors which open automatically when the fan is energized. The doors come together during the fan's operation, providing a nearly unobstructed path for the exhaust airstream. When the fan is not in use, the doors seal magnetically, and a foam rubber gasket on the door frame minimizes air leakage. When it's time for cleaning or maintenance, the damper need not be removed. Simply open the large damper doors, and there is ample access to the fan.

When the new Inlet Damper is combined with any one of our 3 uniquely designed blade assemblies, you get an efficient, durable, and economical ventilation package. Our use of quality materials and precise engineering techniques in constructing blade assemblies assures you of years of quiet, trouble-free service. All of our fans utilize our innovative drive assembly which applies power through V-belts directly to the propeller. Blade load is concentrated directly over the bearings for more economical operation and longer bearing life.

When economy is measured in terms of cubic feet of air per minute per dollar invested, Coolair fans are today's best investment. Coolair uses only the most efficient ball bearing, totally enclosed motors available. Coolair provides recommendations on your specific needs for confinement rearing of poultry, hogs and other livestock. Contact us with your particulars.

## Increase your energy savings with an Insulated Inlet Damper!

Our unique Damper design allows for something that ordinary shutters and dampers can't — Insulation! With a thin aluminum shutter often the only thing between a warm house and cold winter air, much heat energy — and profits — are lost through the shutter. Now, when fitted with optional insulation, the damper provides not only an air barrier, but a heat barrier as well, without affecting the aerodynamic performance of the fan package.



**WARNING:** If these ventilation products are used in agricultural structures to support life where failure of the ventilation could result in loss or injury, the user must provide an adequate back-up ventilation system and a failure alarm system. The user must accept the risk of such loss or injury from failure of the ventilation system.

# PERFORMANCE RATINGS



The performance ratings listed below were obtained through testing by the Bioenvironmental and Structural Systems Lab (BESS Lab) at the University of Illinois. All fans were tested with an inlet guard, inlet damper door shutter, a discharge cone, and a discharge guard. The fan housing was mounted flush to the test chamber face, as in an actual building installation. Power measurements were taken on the fan/motor combination and include motor efficiency and drive losses.

CUBIC FEET PER MINUTE (CFM) AT STATIC PRESSURE														
FAN MODEL	FAN SIZE	BESS LAB TEST #	MOTOR HP	FAN RPM @ .05"	0" S.P.		.05" S.P.		.10" S.P.		.15" S.P.		.20" S.P.	
					CFM	WATT	CFM	WATT	CFM	WATT	CFM	WATT	CFM	WATT
<b>NBC Fan, Square Wall Housing, Inlet Damper, Discharge Cone &amp; Guards</b>														
NBCID52L-SQ	52	07222	1	483	27,098	26.1	25,123	23.2	23,100	20.7	20,881	18.3	17,594	15.4
NBCID52M-SQ		07223	1 1/2	554	30,695	20.5	29,272	18.9	27,672	17.4	25,970	16.0	23,729	14.4
NBCID52L-SQ Δ		07225	1	481	26,693	25.9	25,156	23.3	22,996	20.8	20,538	18.2	17,291	15.3
NBCID52M-SQ Δ		07224	1 1/2	557	30,987	21.0	30,055	19.7	28,347	18.3	26,581	16.4	24,453	14.8
<b>NBC Fan, Square Wall Housing, Inlet Damper, Discharge Cone &amp; Guards</b>														
NCFID52L-SQ	52	07231	1	378	26,545	23.4	25,004	21.2	22,929	18.7	20,713	16.4	17,672	13.6
NCFID52M-SQ		07232	1 1/2	415	29,031	20.4	27,833	18.8	26,418	17.3	24,285	15.4	22,169	13.8
NCFID52L-SQ Δ		07234	1	375	26,352	23.9	24,825	21.5	22,855	19.1	20,488	16.6	17,279	13.7
NCFID52M-SQ Δ		07233	1 1/2	416	29,080	21.5	27,858	19.6	26,472	18.0	24,227	16.0	22,201	14.3
<b>NBC Fan, Square Wall Housing, Inlet Damper, Discharge Cone &amp; Guards</b>														
NEFID52L-SQ	52	07221	1	484	26,859	26.8	25,155	23.9	23,508	20.7	20,860	17.2	18,530	14.5
NEFID52M-SQ		07220	1 1/2	519	28,465	24.0	26,970	21.3	25,833	19.7	23,268	16.6	21,205	14.6
NEFID52L-SQ Δ		07218	1	480	26,494	26.5	24,705	22.7	22,457	19.4	20,451	16.9	18,026	14.2
NEFID52M-SQ Δ		07219	1 1/2	521	28,756	24.6	27,565	22.5	25,448	19.2	23,708	17.2	21,364	14.7

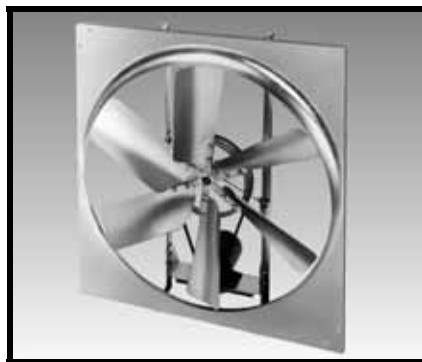
Δ – 3-Phase Units

## NBC



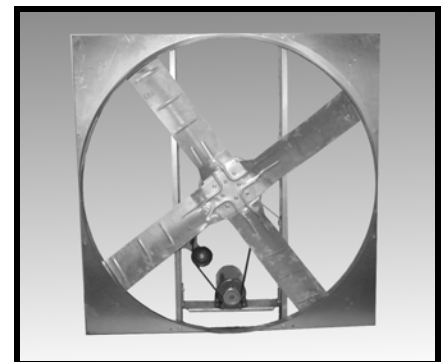
For maximum airflow, the NBC is unsurpassed. Featuring cast aluminum airfoil-section blades, the NBC is as aesthetic as it is efficient.

## NCF



For an efficient, low-noise alternative, the NCF, with its six formed steel blades, is the ideal solution.

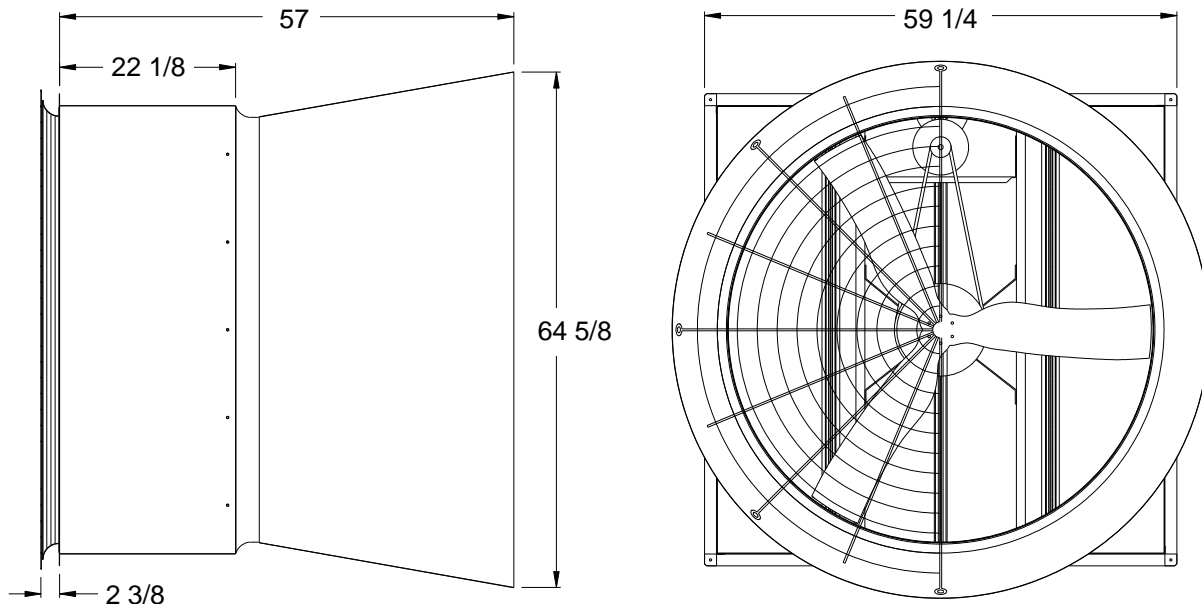
## NEF



The NEF is the perfect combination of efficiency and economy. Ideal for export, these units can be shipped knocked-down to save on freight.

ALL SPECIFICATIONS ARE SUBJECT TO CHANGE WITHOUT NOTICE.

# DIMENSIONS AND DRAWINGS



**REQUIRED FRAMED-IN OPENING is 56 3/4" x 56 3/4"**

## **WARNING**



**DO NOT** INSTALL FAN WITH MOVING PARTS WITHIN 8 FEET OF FLOOR OR GRADE LEVEL WITHOUT A GUARD THAT COMPLIES WITH OSHA REGULATIONS. **DO NOT** USE UNLESS ELECTRICAL WIRING COMPLIES WITH ALL APPLICABLE CODES. **DO NOT** WIRE WITHOUT PROVIDING FOR A POWER SOURCE DISCONNECT AT THE FAN ITSELF. **DO NOT** SERVICE EXCEPT BY A QUALIFIED MAINTENANCE TECHNICIAN AND ONLY AFTER DISCONNECTING THE POWER SOURCE. FAILURE TO OBSERVE THESE PRECAUTIONS CAN RESULT IN SERIOUS INJURY OR DEATH.

## **CAUTION**

## **Limited Warranty**

In the sale of its products American Coolair Corporation agrees to correct by repairs or replacement any defects in workmanship or material which may develop under proper or normal use during the period of one year from date of shipment from factory. Any product or part proving upon American Coolair's examination to be defective during limited warranty period will be replaced or repaired, at American Coolair's option. f.o.b. factory, without charge.

Deterioration or wear caused by chemicals, abrasive action or excessive heat shall not constitute defects. Motors are guaranteed only to the extent of the manufacturer's warranty. American Coolair's limited warranty does not apply to any of its products or parts that have been subject to accidental damage, misuse by the user, unauthorized alterations, improper installation or electrical wiring, or lack of proper lubrication or other service requirements established by American Coolair. Repairs or replacements provided under the above terms shall constitute fulfillment of all American Coolair's obligations with respect to limited warranty.

THE LIMITED WARRANTY STATED HEREIN IS IN LIEU OF ALL OTHER WARRANTIES, EXPRESS, STATUTORY OR IMPLIED, INCLUDING WITHOUT LIMITATION THAT OF MERCHANTABILITY AND FITNESS.

No liability for reinstallation cost or for any special, indirect or consequential damages of any nature is assumed or shall be imposed upon American Coolair.

