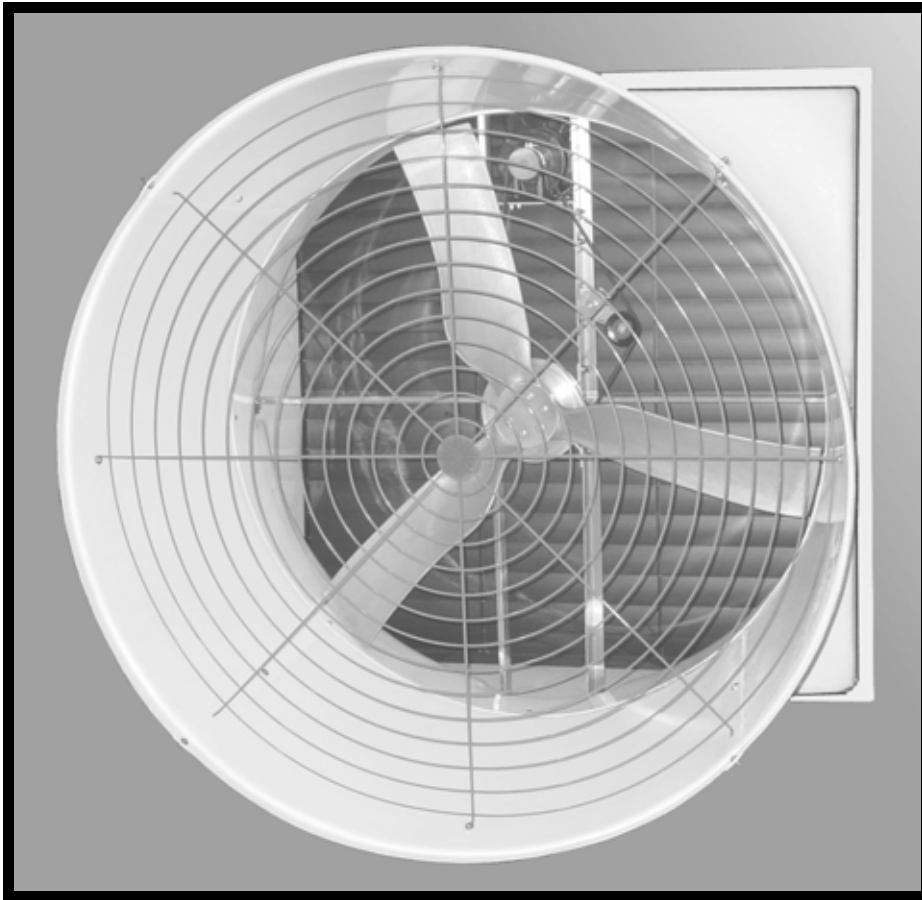
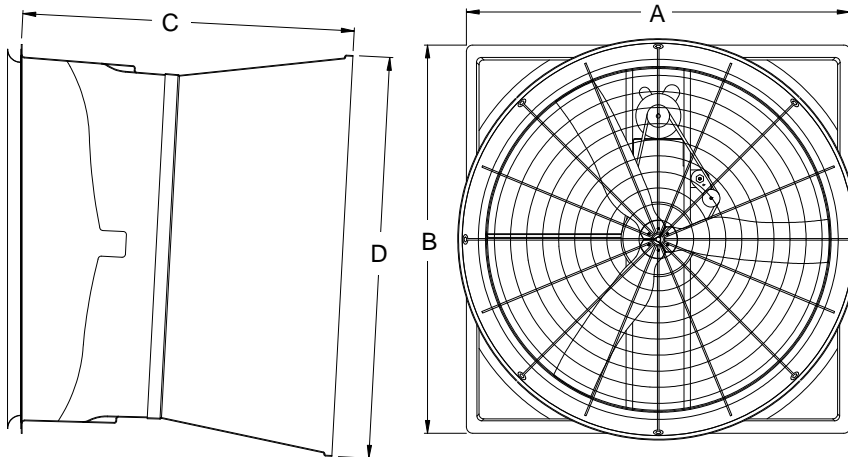
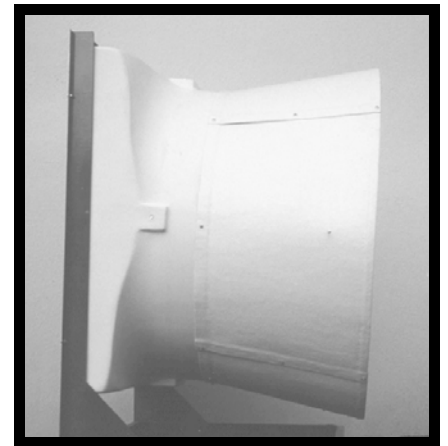


CONTROLLED ENVIRONMENT SYSTEMS FOR FARM BUILDINGS



TYPE FGBC FANS



Fan Size	A	B	C	D	Rough Opening
36	44 1/2	44 3/4	48 1/8	46	41 1/2 x 41 1/2
52	59 3/4	60 3/8	51 5/8	62 1/2	56 7/8 x 56 7/8



FARM PRODUCTS DIVISION

MEMBER OF AMCA
 AMERICAN COOLAIR CORPORATION
 P.O. BOX 2300
 JACKSONVILLE, FLORIDA 32203
 PHONE (904) 389-3646 FAX (904) 387-3449
 E-MAIL - agfans@coolair.com

FIBERGLASS FGBC36 and FGBC52 FANS

Our most energy efficient fans yet! FGBC fans are the answer to your ventilation requirements. Both the FGBC36 and FGBC52 utilize our innovative and proven drive assembly that allows V-belt power to be transmitted directly through the bearings, resulting in more economical operation and increased bearing life. The cast aluminum airfoil blade assemblies are engineered to provide the most air performance available today.

PERFORMANCE RATINGS

The performance ratings listed below were obtained through testing by the Bioenvironmental and Structural Systems Lab (BESS Lab) at the University of Illinois. All fans were tested with a shutter, discharge guard and discharge cone. The fan housing was mounted flush to the test chamber face, as in an actual building installation. Power measurements were taken on the fan/motor combination and include motor efficiency and drive losses.



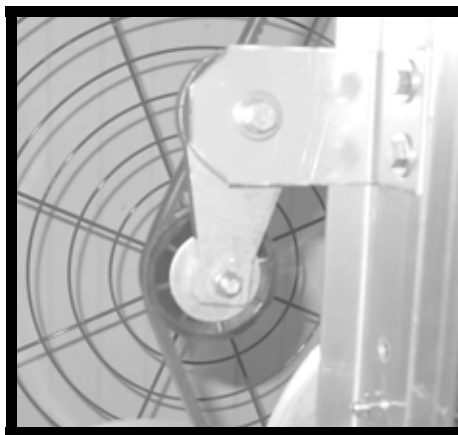
FGBC Fan (Including Discharge Cone and Discharge Guard) with Inlet Shutter

CUBIC FEET PER MINUTE (CFM) AT STATIC PRESSURE														
Fan Model	Fan Size	BESS Lab Test #	Motor HP	Fan RPM @ .05"	0" S.P.		.05" S.P.		.10" S.P.		.15" S.P.		.20" S.P.	
					CFM	Watt	CFM	Watt	CFM	Watt	CFM	Watt	CFM	Watt
FGBC36J	36	06208	1/2	774	12,651	25.4	11,665	22.7	10,535	20.2	9,267	18.1	7,632	15.1
FGBC36K		06211	3/4	899	14,685	19.7	13,804	18.1	12,862	16.6	11,798	15.1	10,778	13.9
FGBC36L		06213	1	1041	17,039	15.3	16,279	14.3	15,543	13.4	14,703	12.5	13,776	11.8
FGBC52K	52	01171	3/4	408	24,371	37.2	22,065	31.5	19,484	26.6	14,260	19.8	2,026	3.1
FGBCE52L		01174	1	445	26,445	31.7	24,310	27.7	22,159	24.3	18,810	20.2	12,416	14.1
FGBC52L		01175	1	483	28,633	27.9	26,782	24.9	24,731	22.0	22,428	19.5	18,972	16.3
FGBC52M ¹		01182	1-1/2	540	31,850	23.4	30,300	21.2	28,430	19.1	26,565	17.5	24,233	15.7

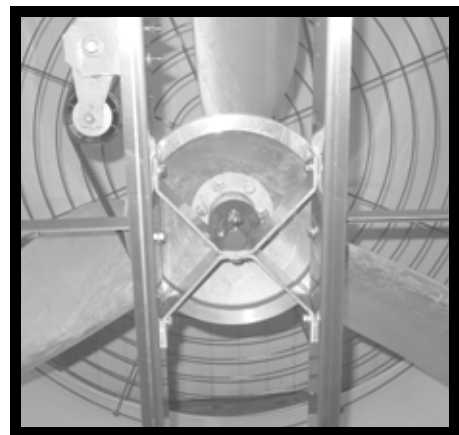
1. Performance values for 0" and .05" static pressure for FGBC52M exceed the BESS Lab airflow measurement capabilities and were calculated through regression analysis.



Coolair's innovative cast aluminum disc with four captured bearings.



Rotary auto belt tensioner ensures continuous optimal belt tension and peak fan operation.



Specially formed structural components provide for a sturdy, yet aerodynamic support package.

ALL SPECIFICATIONS ARE SUBJECT TO CHANGE WITHOUT NOTICE.