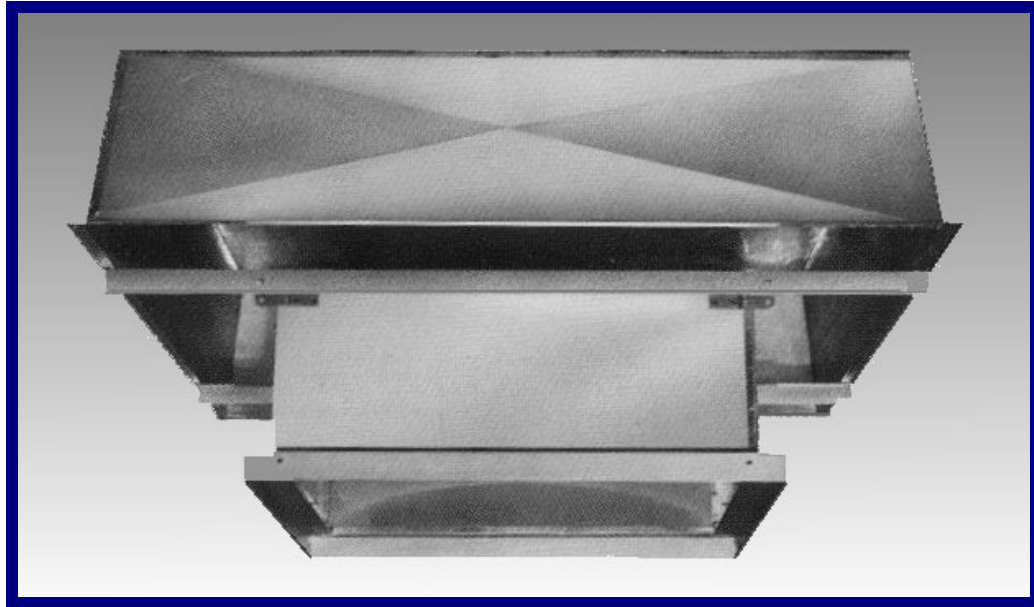


# CONTROLLED ENVIRONMENT SYSTEMS FOR FARM BUILDINGS



## TYPE PSNCFA, PFDC, RPFDC SUPPLY AND REVERSIBLE HOODED POWER ROOF VENTILATORS



### FARM PRODUCTS DIVISION

MEMBER OF AMCA  
AMERICAN COOLAIR CORPORATION  
BOX 2300, JACKSONVILLE, FL 32203

Phone (904) 389-3646

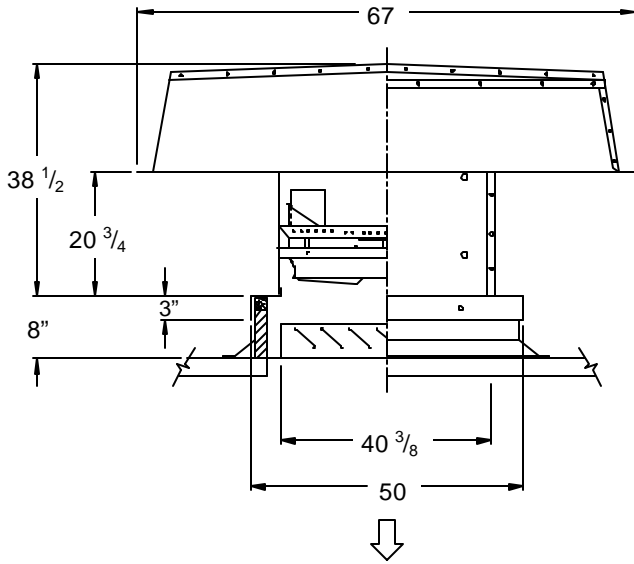
Fax (904) 387-3449

E-MAIL – [agfans@coolair.com](mailto:agfans@coolair.com)

WEBSITE – [www.coolair.com](http://www.coolair.com)

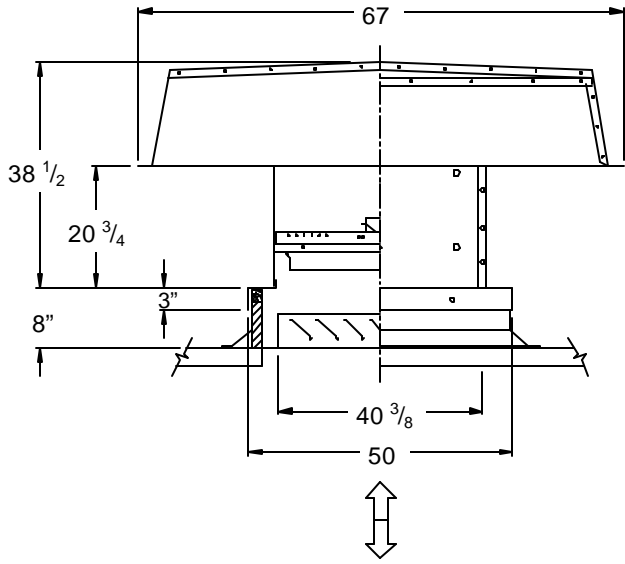
# Type PSNCFA36

Supply, Belt Drive,  
Hooded Power Roof Ventilator



# Type RPFDC36 / PFDC36

Supply or Exhaust, Direct Drive,  
Hooded Power Roof Ventilator



AMERICAN COOLAIR CORPORATION certifies that the performance data for the type PSNCFA, RPFDC and PFDC fan models shown below is based on tests conducted in an accredited laboratory in accordance with ANSI/AMCA Standard 210-85.

Fan Model	Mode	HP	RPM	CFM @ Static Pressure					
				0"	.05"	.10"	.15"	.20"	.25"
<b>Belt Drive Fans - Formed Steel Blades</b>									
PSNCFA36J	Supply	1/2	471	9799	9028	8151	7119	5485	4229
PSNCFA36K	Supply	3/4	558	11609	10967	10276	9497	8626	7599
PSNCFA36L	Supply	1	637	13253	12694	12106	11475	10776	10013
<b>Reversible - Direct Drive Fans - Cast Aluminum Airfoil Blades</b>									
RPFDC36L8	Supply Exhaust	1	850	11382 8700	10596 8311	9830 7861	9093 7314	8112 6590	7099 5725
PFDC36L8	Supply Exhaust	1	850	11926 5974	11113 5131	10217 4522	9174 4079	8001 3671	6377 2954

### Standard fan features

Galvanized steel hood and base, galvanized steel spun fan panels and access panels.

### Accessories

Safety disconnect switch, surface mounted prefabricated roof curb, bird screen, automatic or manual back draft damper. Also available with Hood and Housing (base) painted 2 mils epoxy white or green, or manufactured out of mill finish (silver) aluminum.

**WARNING:** If these ventilation products are used in agricultural structures to support life where failure of the ventilation could result in loss or injury, the user must provide an adequate back-up ventilation system and a failure alarm system. The user must accept the risk of such loss or injury from failure of the ventilation system.