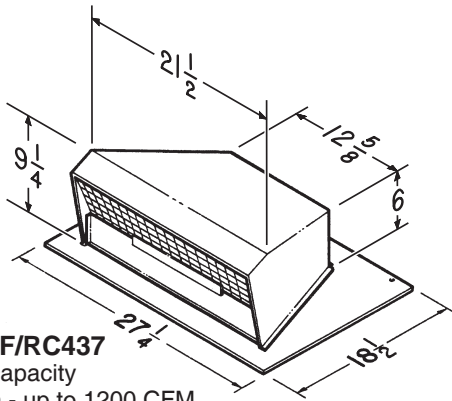
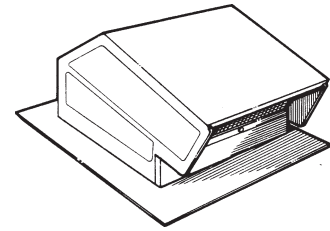
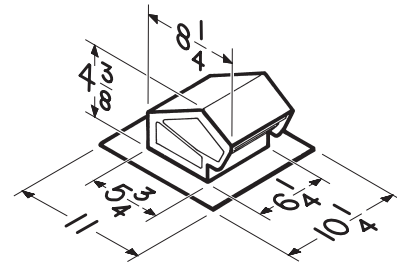


# ROOF CAPS



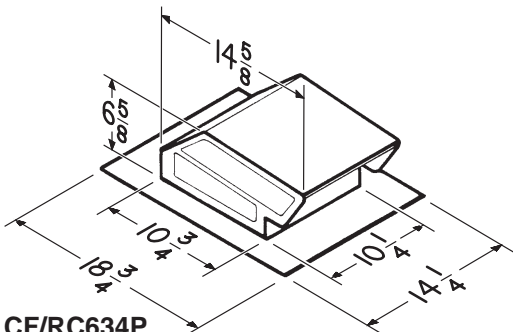
**Model CF/RC437**

- High-capacity design - up to 1200 CFM
- 24 GA. CRCQ steel, black electrically-bonded epoxy finish
- Built-in spring-loaded backdraft damper and bird screen
- For use with High Performance blower system



**Model CF/RC636P**

- 24 GA. CRCQ steel, black electrically-bonded epoxy finish
- Built-in backdraft damper and bird screen
- For 3" or 4" round duct



**Model CF/RC634P**

- 24 GA. CRCQ steel, black electrically-bonded epoxy finish
- Built-in backdraft damper and bird screen
- For 3 1/4" x 10" or up to 8" round duct

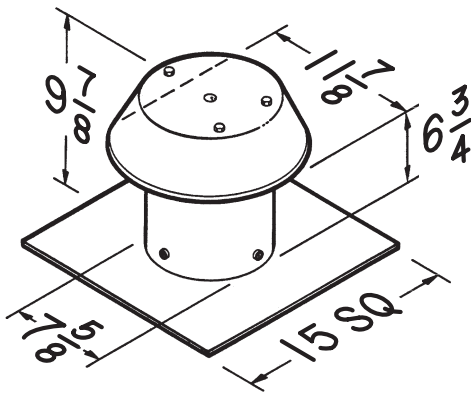
**Model CF/RC634M**

- Same as Model 634 except with 6" round duct collar

**Model CF/RC644**

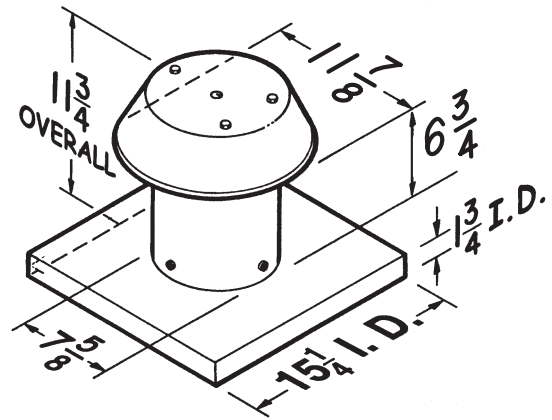
- Same as Model 634 except .025 aluminum
- Natural finish

REFERENCE	QTY.	REMARKS	Project
			Location
			Architect
			Engineer
			Contractor
			Submitted by <span style="float: right;">Date</span>



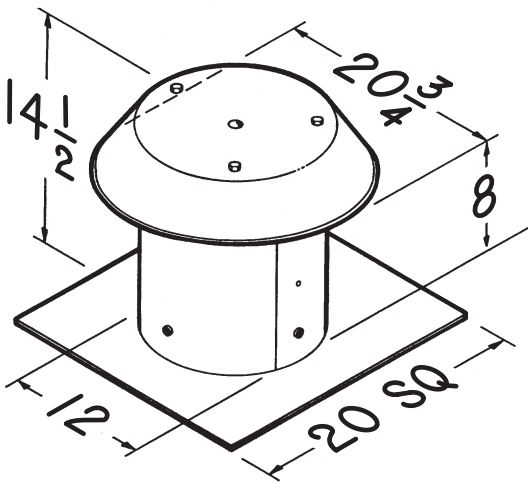
**Model CF/FRC611**

- For flat roof installation
- .025 Aluminum - natural finish
- Built-in bird screen
- For up to 8" round duct



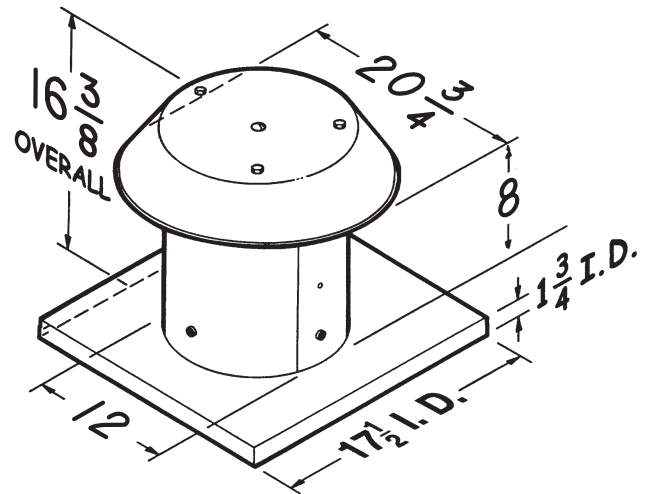
**Model CF/FRC611CM**

- For curb mount installation
- Other features same as Model 611



**Model CF/FRC612**

- For flat roof installation
- .025 Aluminum - natural finish
- Built-in bird screen
- For up to 12" round duct



**Model CF/FRC612CM**

- For curb mount installation
- Other features same as Model 612



**AMERICAN COOLAIR CORPORATION**

P.O. BOX 2300 ~ Jacksonville, Florida 32203

Phone: (904) 389-3646

Fax: (904) 387-3449 or (904) 381-7560

E-mail: [info@coolair.com](mailto:info@coolair.com)

Website: [www.coolair.com](http://www.coolair.com)