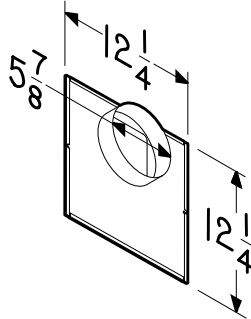
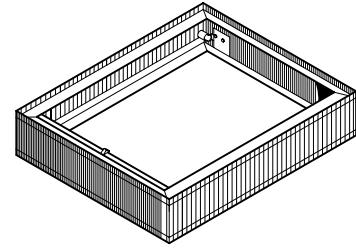
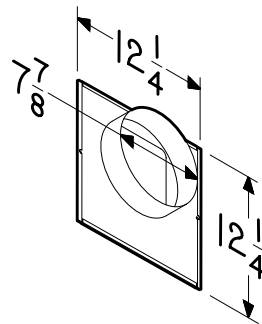


VENTILATOR ACCESSORIES



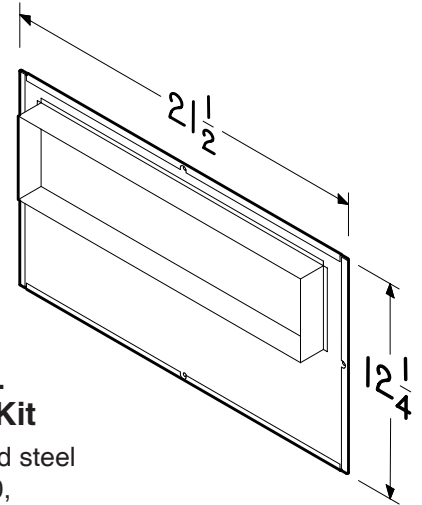
Model CF/A961L In-Line Adapter Kit

- 24 gage galvanized steel
- Fits Models CFL10 & CFL15 (6" round duct intake)



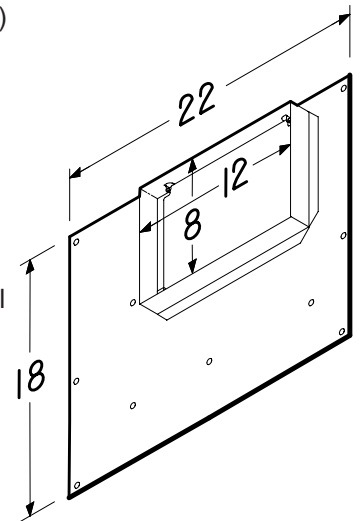
Model CF/A981L In-Line Adapter Kit

- 24 gage galvanized steel
- Fits Models CFL20, CFL25, & CFL30 (8" round duct intake)



Model CF/A982L In-Line adapter Kit

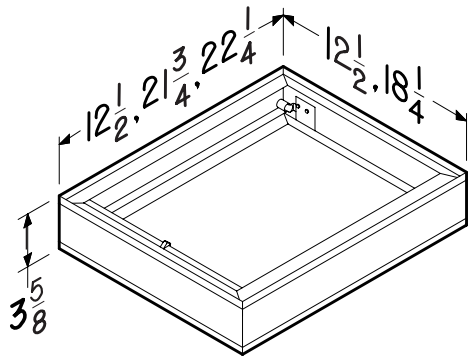
- 24 gage galvanized steel
- Fits Models CFL40, CFL50, & L700 Series (4 1/2" x 18 1/2" duct intake)



Model CF/A983L In-Line Adapter Kit

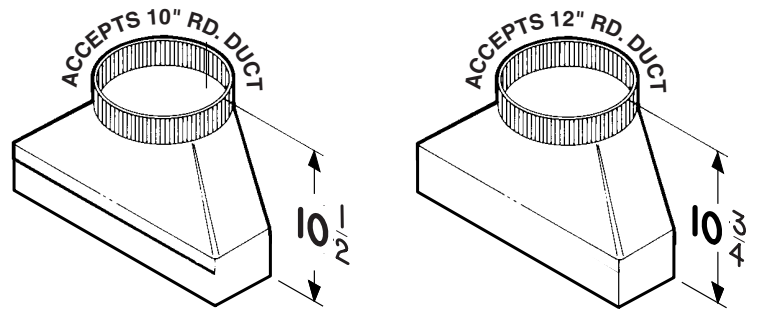
- 24 gage galvanized steel
- Fits Models CFL90 & CFL150 (8" x 12" duct intake)

REFERENCE	QTY.	REMARKS	Project
			Location
			Architect
			Engineer
			Contractor
			Submitted by
			Date



Models CF/RD1, CF/RD2, & CF/RD3 Radiation Dampers

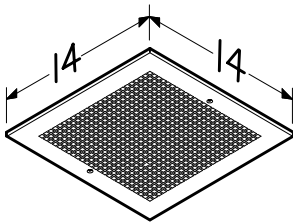
- UL rated for use in 1, 2, or 3 hour fire-rated ceilings
- Galvanized steel frame
- High temperature, non-asbestos, reinforced fiber thermal fabric
- 212°F fusible link
- Stainless steel negator-type closure spring
- **CF/RD1** (12½" x 12½") fits Models CFL10, CFL15, CFL20, CFL25, & CFL30
- **CF/RD2** (21¾" x 12½") fits Models CFL40, CFL50, & CFL70
- **CF/RD3** (22¼" x 18¼") fits Models CFL90 & CFL150



Models CF/TRN423 & CF/TRN81212

Duct Transitions

- Galvanized steel
- Allows for quick transition to easy-to-obtain-and-install round ducting
- **CF/TRN423** (4½" x 18½" to 10" round) for use with Models CFL40, CFL50, CLF70, IL40, IL50, & IL70
- **CF/TRN81212** (8" x 12" to 12" round) for use with Models CFL90, CFL150, IL90, & IL150



Model CF/MG1 Metal Grille Kit

- 20 gage white enamel painted steel
- Mounting screws included
- Fits Models CFL10, CFL15, CFL20, CFL25, & CFL30



AMERICAN COOLAIR CORPORATION

P.O. BOX 2300 ~ Jacksonville, Florida 32203

Phone: (904) 389-3646

Fax: (904) 387-3449 or (904) 381-7560

E-mail: info@coolair.com

Website: www.coolair.com